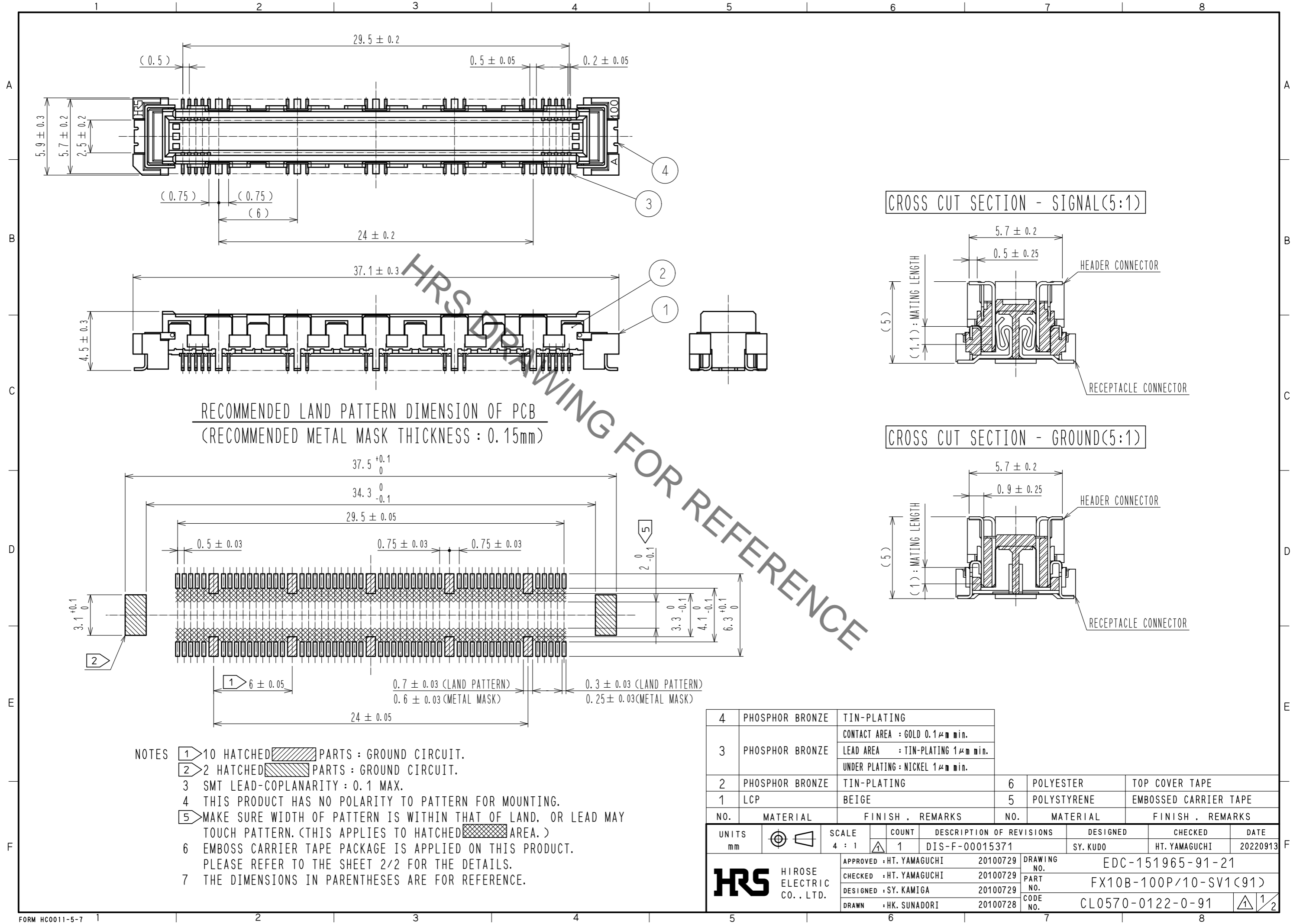


Apr.1.2023 Copyright 2023 HIROSE ELECTRIC CO., LTD. All Rights Reserved.
In case of consideration for using Automotive equipment / device which demand high reliability, kindly contact our sales window correspondents.



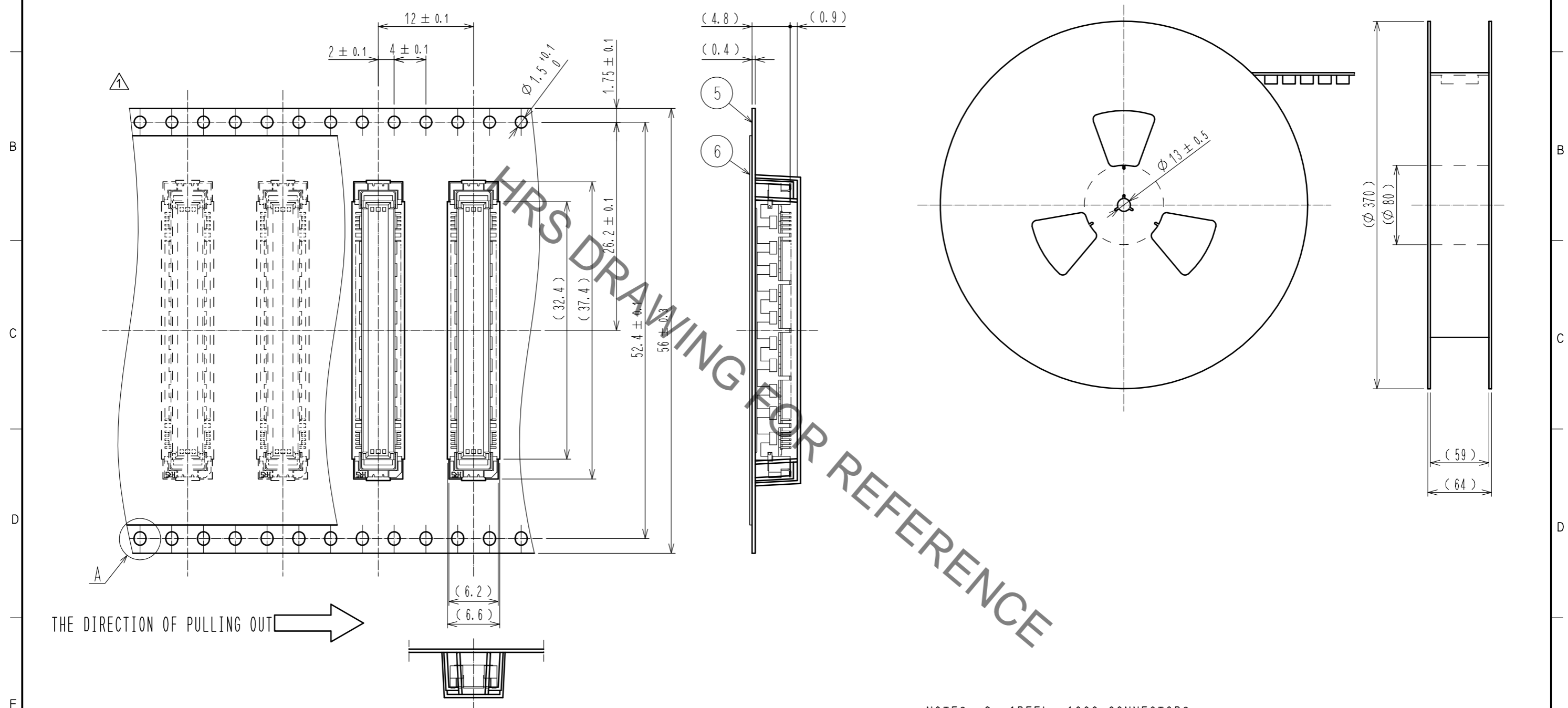
- NOTES
- ① 10 HATCHED PARTS : GROUND CIRCUIT.
 - ② 2 HATCHED PARTS : GROUND CIRCUIT.
 - 3 SMT LEAD-COPLANARITY : 0.1 MAX.
 - 4 THIS PRODUCT HAS NO POLARITY TO PATTERN FOR MOUNTING.
 - ⑤ MAKE SURE WIDTH OF PATTERN IS WITHIN THAT OF LAND, OR LEAD MAY TOUCH PATTERN. (THIS APPLIES TO HATCHED AREA.)
 - 6 EMBOSS CARRIER TAPE PACKAGE IS APPLIED ON THIS PRODUCT. PLEASE REFER TO THE SHEET 2/2 FOR THE DETAILS.
 - 7 THE DIMENSIONS IN PARENTHESES ARE FOR REFERENCE.

4	PHOSPHOR BRONZE	TIN-PLATING			
3	PHOSPHOR BRONZE	CONTACT AREA : GOLD 0.1μm min.			
		LEAD AREA : TIN-PLATING 1μm min.			
		UNDER PLATING : NICKEL 1μm min.			
2	PHOSPHOR BRONZE	TIN-PLATING	6	POLYESTER	TOP COVER TAPE
1	LCP	BEIGE	5	POLYSTYRENE	EMBOSSED CARRIER TAPE
NO.	MATERIAL	FINISH . REMARKS	NO.	MATERIAL	FINISH . REMARKS
UNITS	mm	SCALE	4 : 1	COUNT	1
DESCRIPTION OF REVISIONS			DESIGNED	CHECKED	DATE
DIS-F-00015371			SY. KUDO	HT. YAMAGUCHI	20220913
APPROVED : HT. YAMAGUCHI 20100729			DRAWING NO. EDC-151965-91-21		
CHECKED : HT. YAMAGUCHI 20100729			PART NO. FX10B-100P/10-SV1(91)		
DESIGNED : SY. KAMIGA 20100729			CODE NO. CL0570-0122-0-91		
DRAWN : HK. SUNADORI 20100728			1/2		

Apr.1.2023 Copyright 2023 HIROSE ELECTRIC CO., LTD. All Rights Reserved.
 In case of consideration for using Automotive equipment / device which demand high reliability, kindly contact our sales window correspondents.

DRAWING FOR PACKING(2:1)

REELED DIMENSION (Free)



HRS DRAWING FOR REFERENCE

- NOTES
- 8 1 REEL : 1000 CONNECTORS.
 - 9 MINIMUM 10 COMPARTMENTS FROM BOTH REEL ENDS REMAIN EMPTY.
 - 10 THIS PRODUCT HAS NO POLARITY TO TAPE AND REEL PACKAGING.
 - 11 THE DIMENSIONS IN PARENTHESES ARE FOR REFERENCE.

HRS	DRAWING NO.	EDC-151965-91-21	2/2
	PART NO.	FX10B-100P/10-SV1(91)	
	CODE NO.	CL0570-0122-0-91	