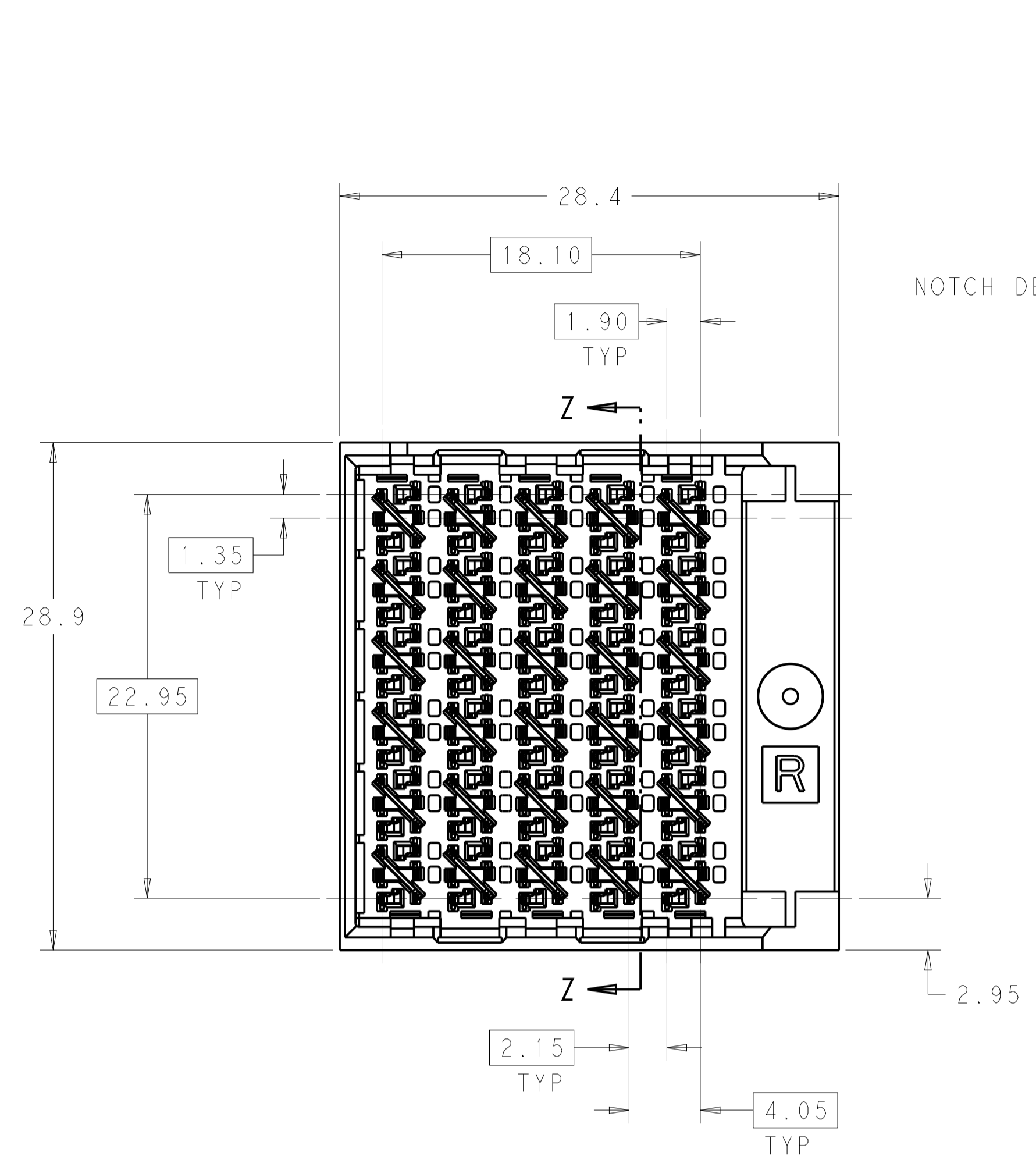
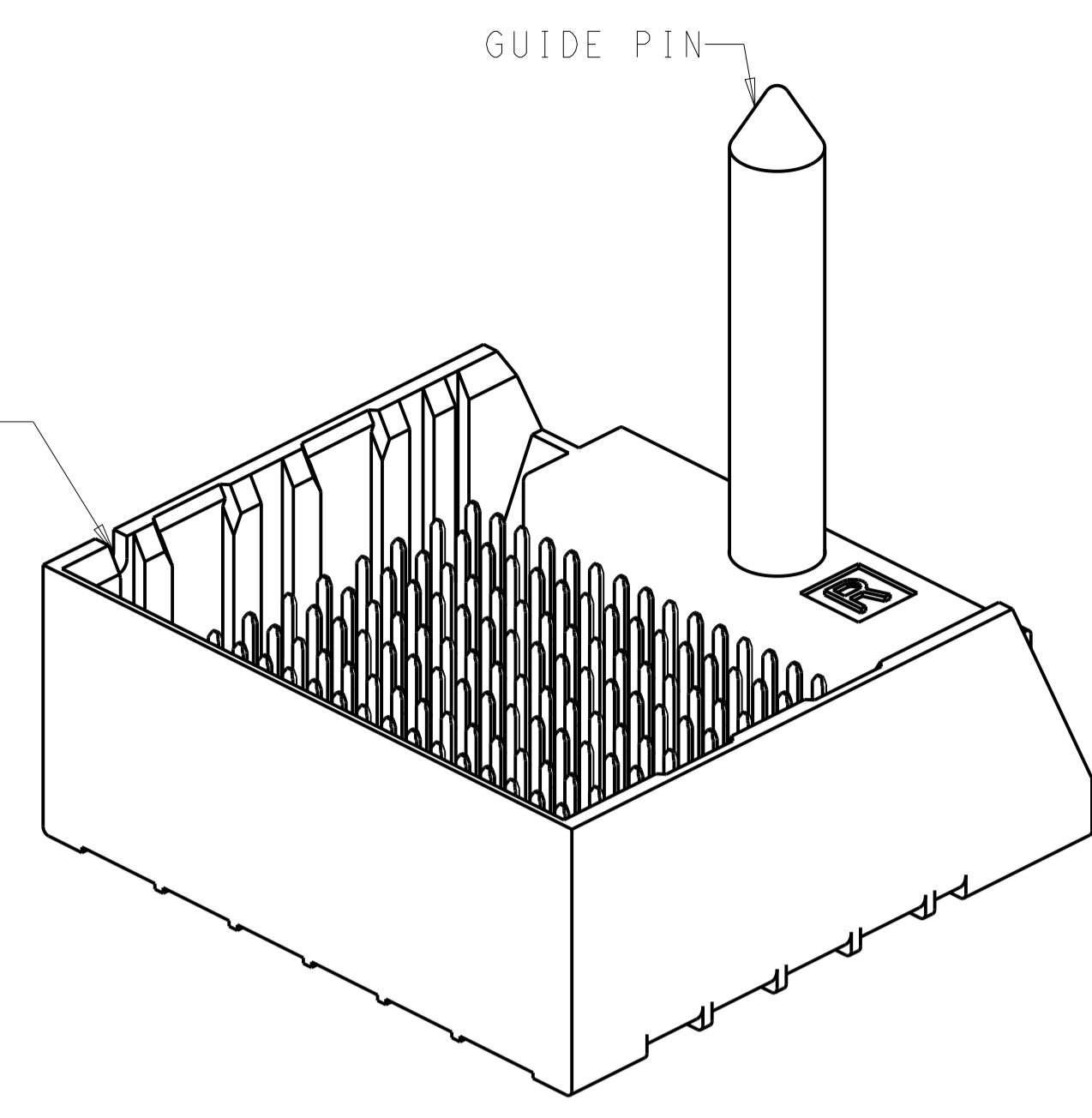


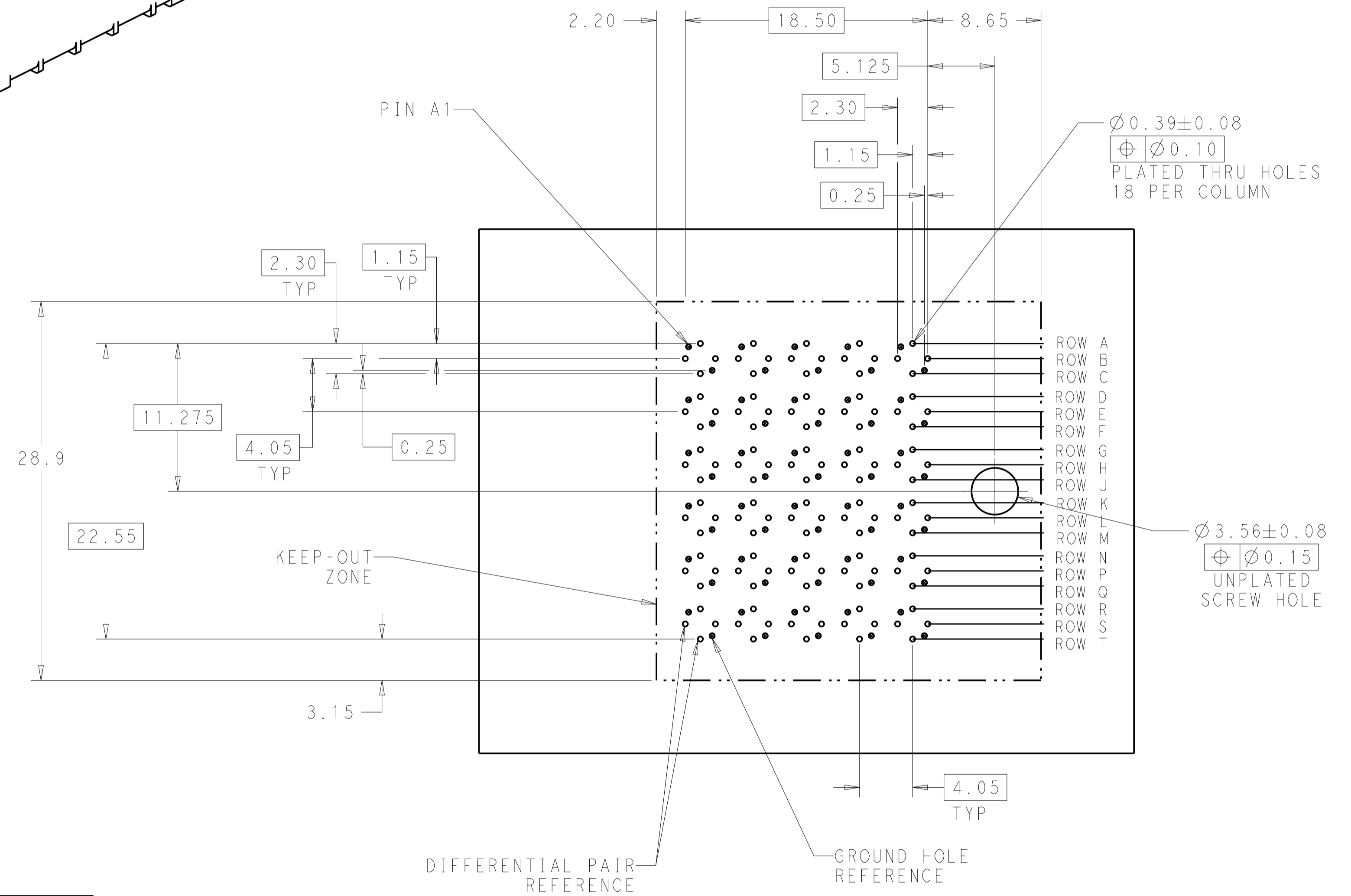
REVISIONS				
P.	LTN.	DESCRIPTION	DATE	DMN. APVD.
C		REVISED PER ECO-14-013273	31OCT2014	AP DD



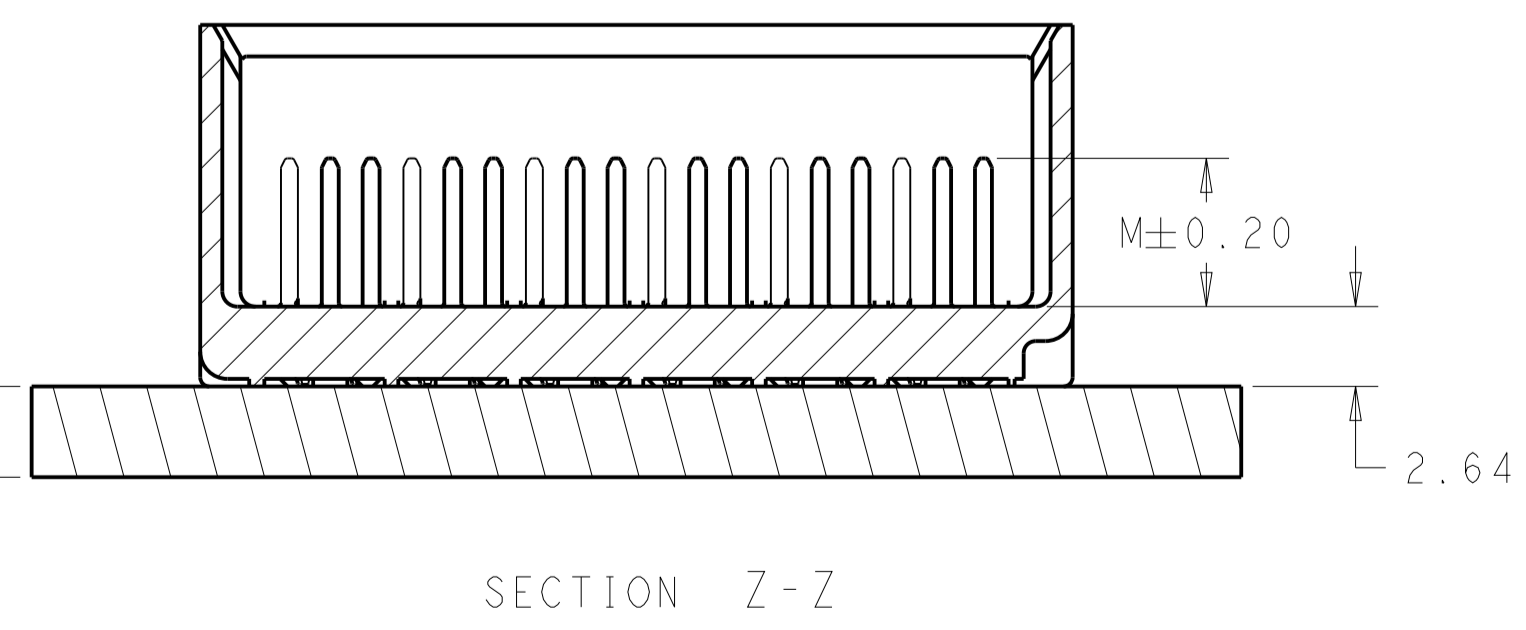
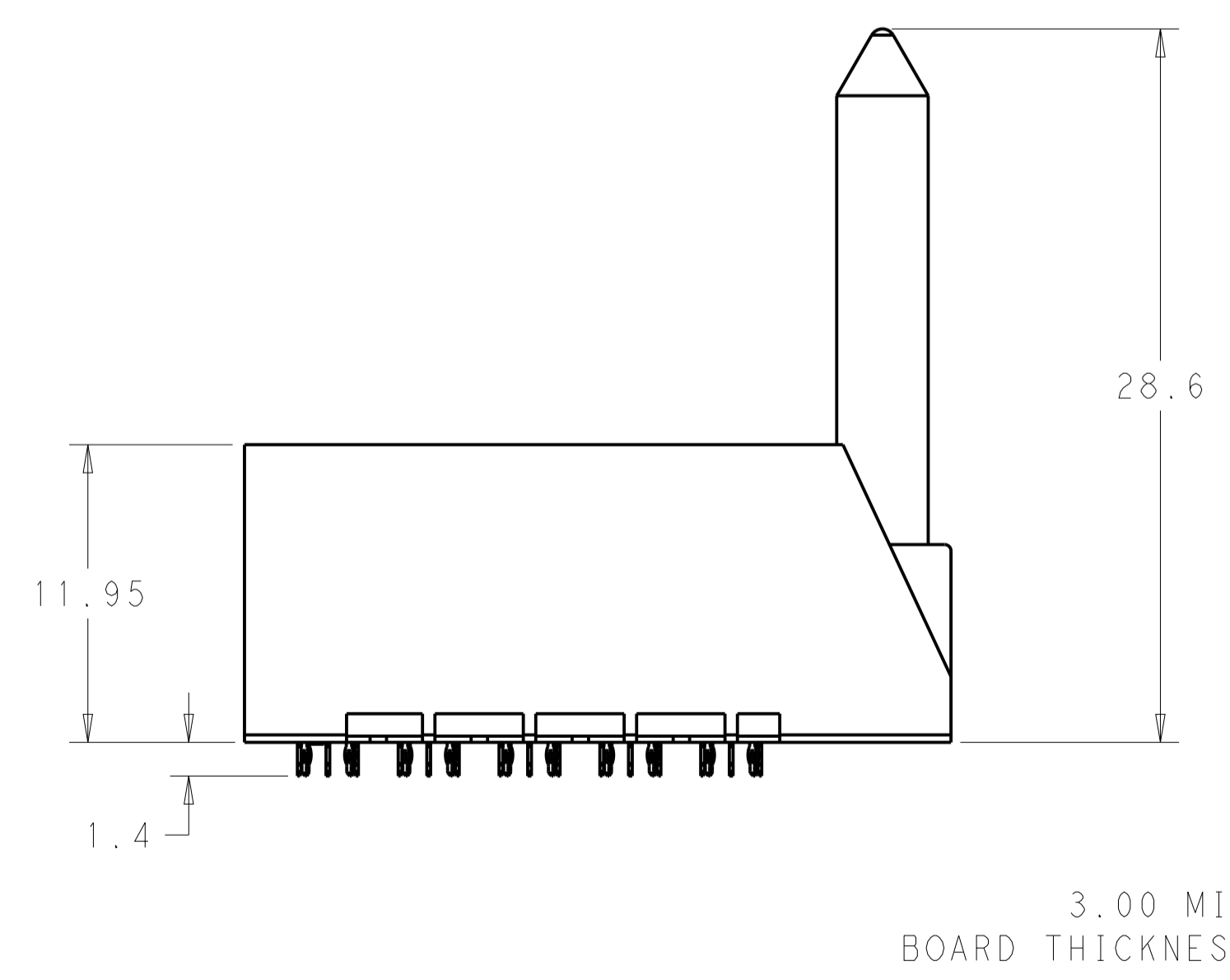
NOTCH DESIGNATES ROW A



- 1 MATERIAL:
HOUSING: LCP GLASS FILLED UL94V-0
TERMINALS: HIGH PERFORMANCE COPPER ALLOY
- 2 FINISH:
30μ" MIN GOLD IN CONTACT AREA
SELECTIVE TIN ON PCB TAILS.
NICKEL OVERALL.
- 3. SCREWS PACKAGED IN END OF PACKAGING TUBE



LEFT GUIDED BACKPLANE HOLE PATTERN (CONNECTOR SIDE) SCALE 4:1



2	5.5	2143252-2
2	4.9	2143252-1
FINISH	DIM M	PART NUMBER

THIS DRAWING IS A CONTROLLED DOCUMENT.

DIMENSIONS:	TOLERANCES UNLESS OTHERWISE SPECIFIED:	DMN. J. K. SHOBER 29DEC2010	CHK. J. EARY 29DEC2010	APVD. J. EARY 29DEC2010	NAME
mm	0 PLC ±0.25 1 PLC ±0.13 2 PLC ±0.13 3 PLC ±0.13 4 PLC ±0.13	PRODUCT SPEC	APPLICATION SPEC	SIZE	IMPACT, 6 PAIR, 12 COLUMN, RIGHT GUIDED LEFT END WALL ASSEMBLY, ORTHOGONAL, 0.39 PTH
MATERIAL	SEE TABLE	WEIGHT	Customer Drawing	SCALE	A100779C=2143252
				RESTRICTED TO	Customer Drawing

TE Connectivity

SCALE 4:1 SHEET 1 OF 1 REV C