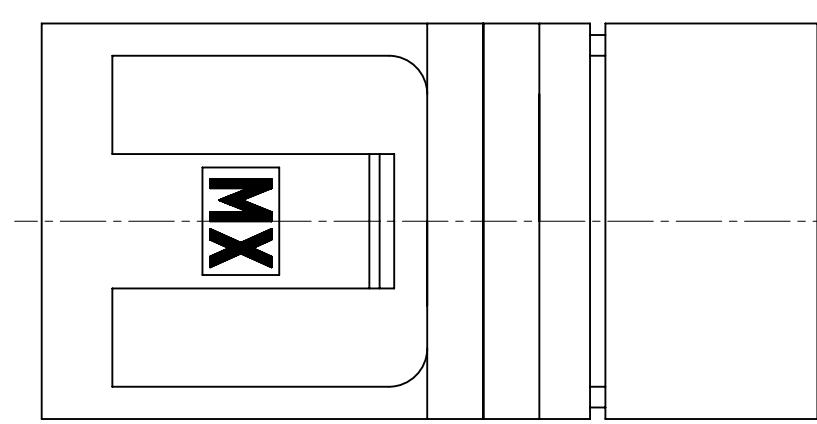
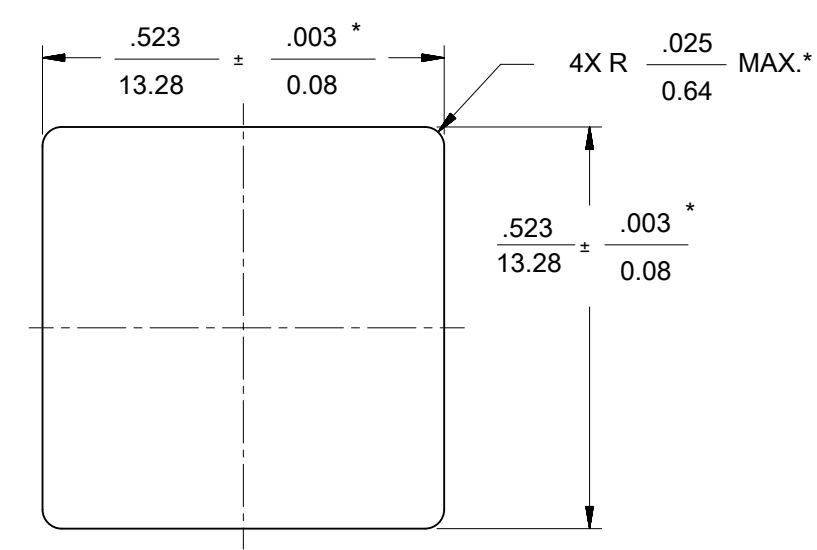
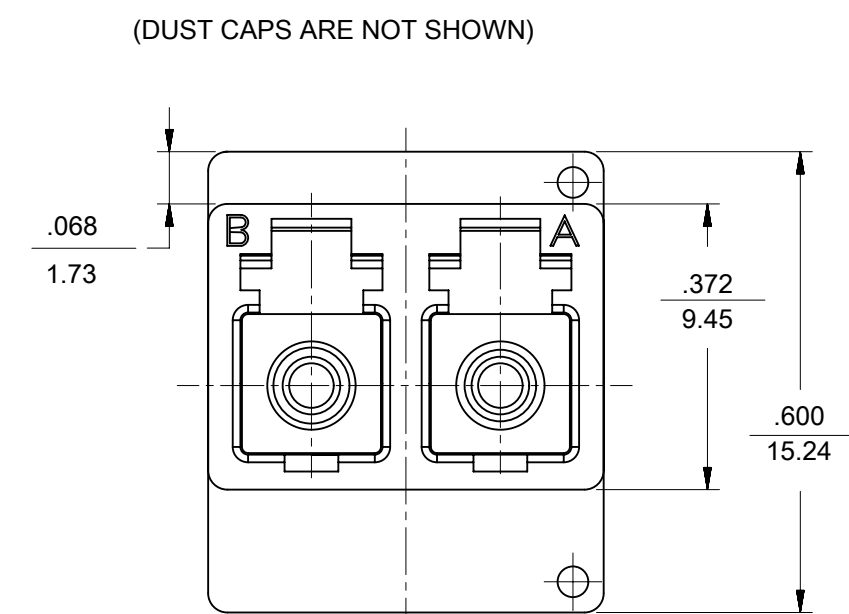
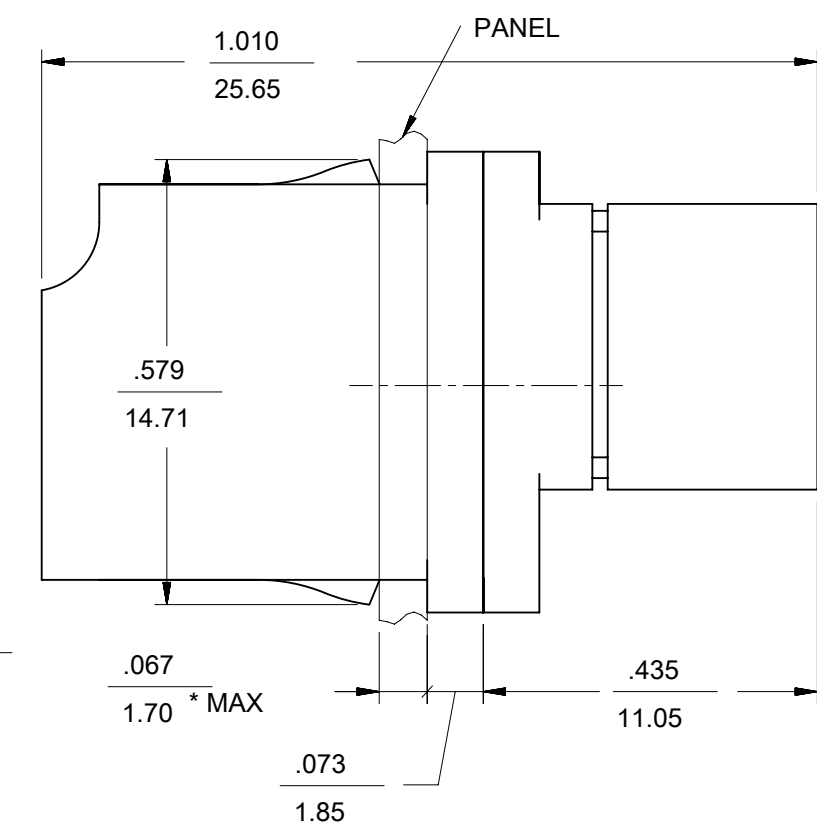
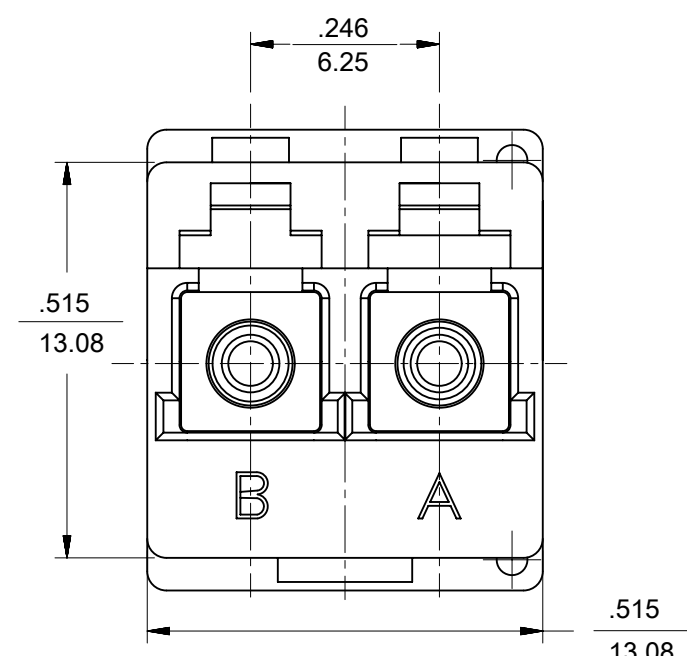


ADAPTER P/N	COLOR	SPLIT SLEEVE MATERIAL
106125-1000	BLUE	ZIRCONIA - ZrO ₂
106125-1050	GREEN	
106125-0000	BLUE	
106125-1010	BEIGE	
106125-1090	RED	
106125-1070 SEE NOTE 2	BLUE	



RECOMMENDED PANEL CUTOUT
 PANEL THICKNESS $\frac{.067}{1.70}$ MAX.

- NOTES:
1. ALL DIMENSIONS ARE FOR REFERENCE ONLY, EXCEPT WHEN MARKED WITH (*).
 2. ADAPTERS 1061251070 ARE BULK PACKAGED 10 pcs PER BAG.

THIS DRAWING CONTAINS INFORMATION THAT IS PROPRIETARY TO MOLEX ELECTRONIC TECHNOLOGIES, LLC AND SHOULD NOT BE USED WITHOUT WRITTEN PERMISSION												
DIMENSION UNITS		SCALE		CURRENT REV DESC:						molex		
IN/MM		4:1										
GENERAL TOLERANCES (UNLESS SPECIFIED)				EC NO: 652962		DRWN: SKRISHNAMU01		2021/05/28		LC DUPLEX ADAPTER, LOW PROFILE		
				CHK'D: WCHEN		2021/08/24						
4 PLACES ±				APPR: WCHEN		2021/08/24		PRODUCT CUSTOMER DRAWING				
3 PLACES ±				INITIAL REVISION:		DRWN: PGIPLIN		2005/10/03		DOCUMENT NUMBER		
2 PLACES ±				APPR:				SD-106125-X0X0		DOC TYPE	DOC PART	REVISION
1 PLACE ±				THIRD ANGLE PROJECTION		DRAWING	SERIES	MATERIAL NUMBER	CUSTOMER		SHEET NUMBER	
0 PLACES ±				ANGULAR TOL ± 0.5°	B-SIZE	106125	SEE TABLE	GENERAL MARKET		1 OF 1		
DRAFT WHERE APPLICABLE MUST REMAIN WITHIN DIMENSIONS				THIRD ANGLE PROJECTION	DRAWING	SERIES	MATERIAL NUMBER	CUSTOMER		SHEET NUMBER		