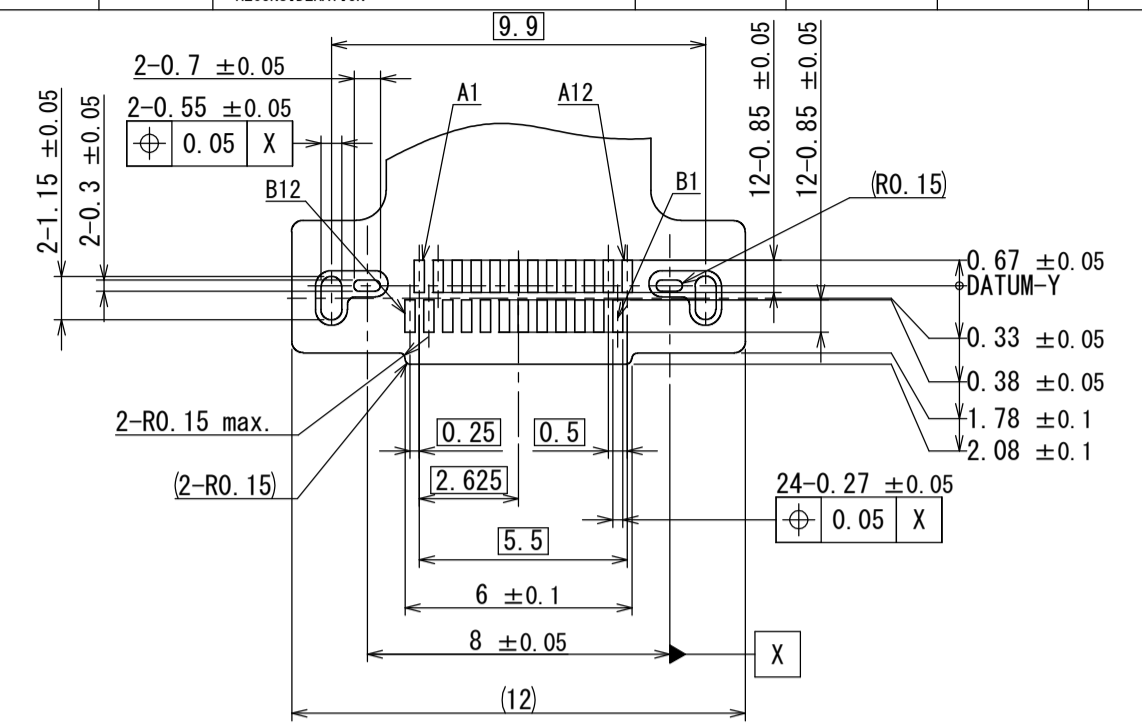
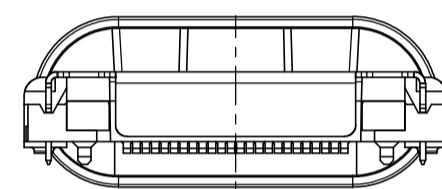
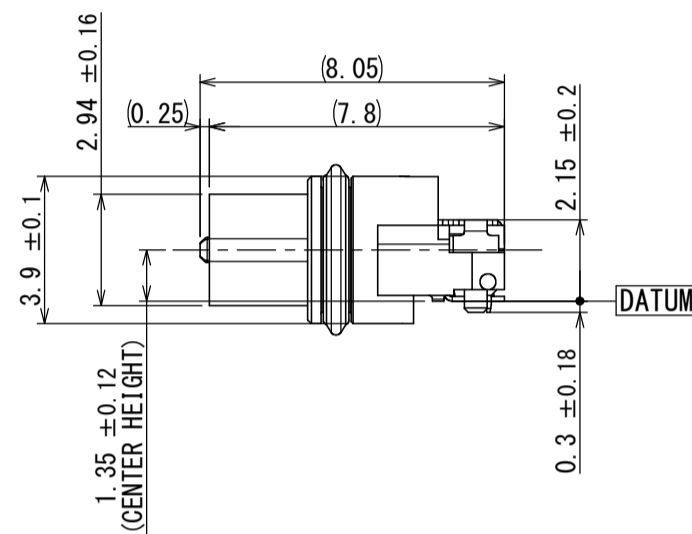
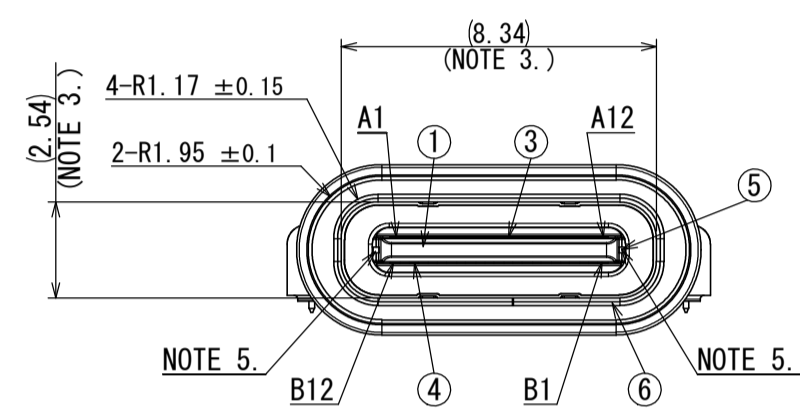
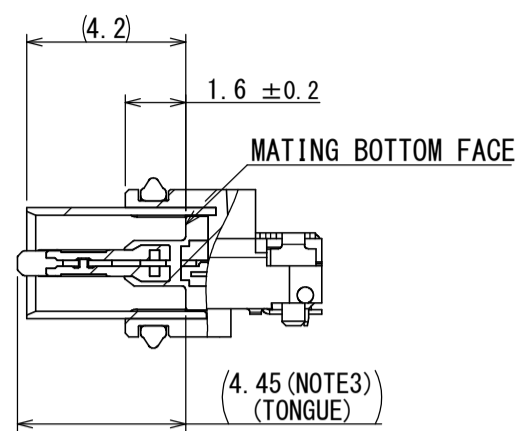
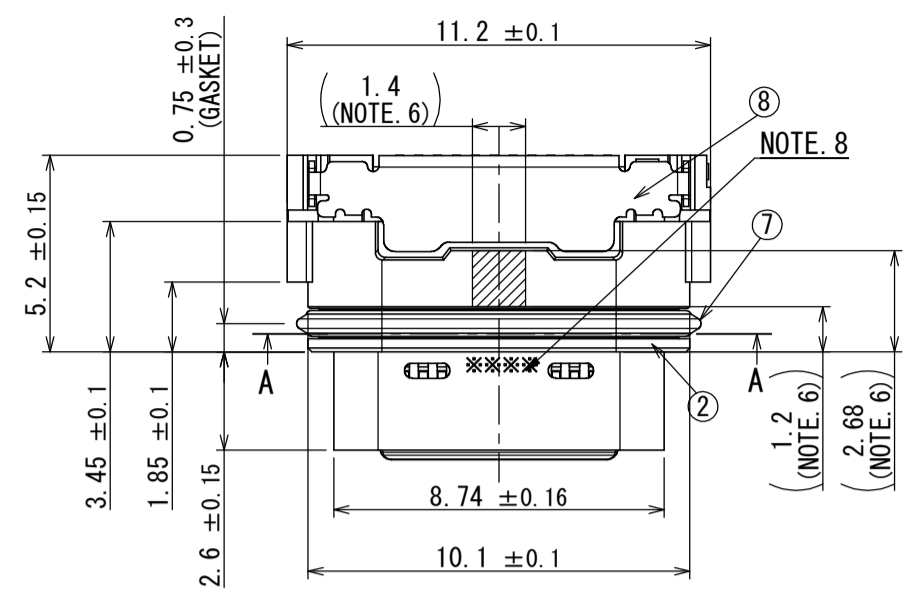


版数 VER.	年月日 DATE	図号 CN NO.	変更内容 DESCRIPTION	製図 DR.	担当 CHK.	査閲 APPD.	承認 APPD.
2	30/JUL/2019	028996	PRESCRIPTIVE RECONSIDERATION		H. OOTANI	-	I. IGARASHI



APPLICABLE P.C.B. DIMENSION (REF.)
SURFACE VIEW FROM CONNECTOR MOUNTING SIDE.

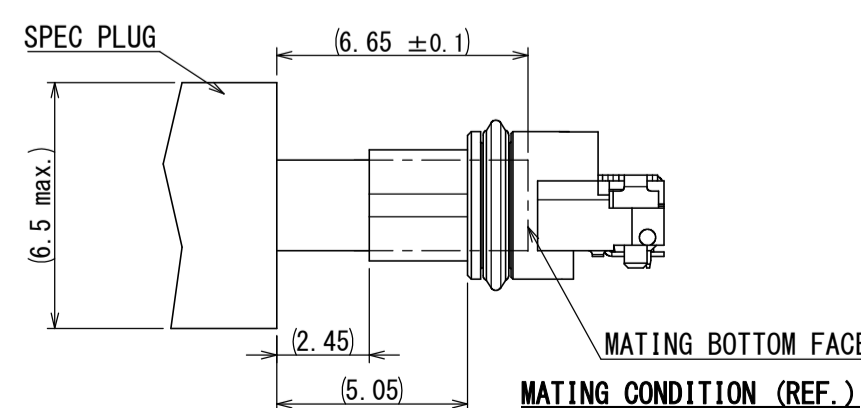
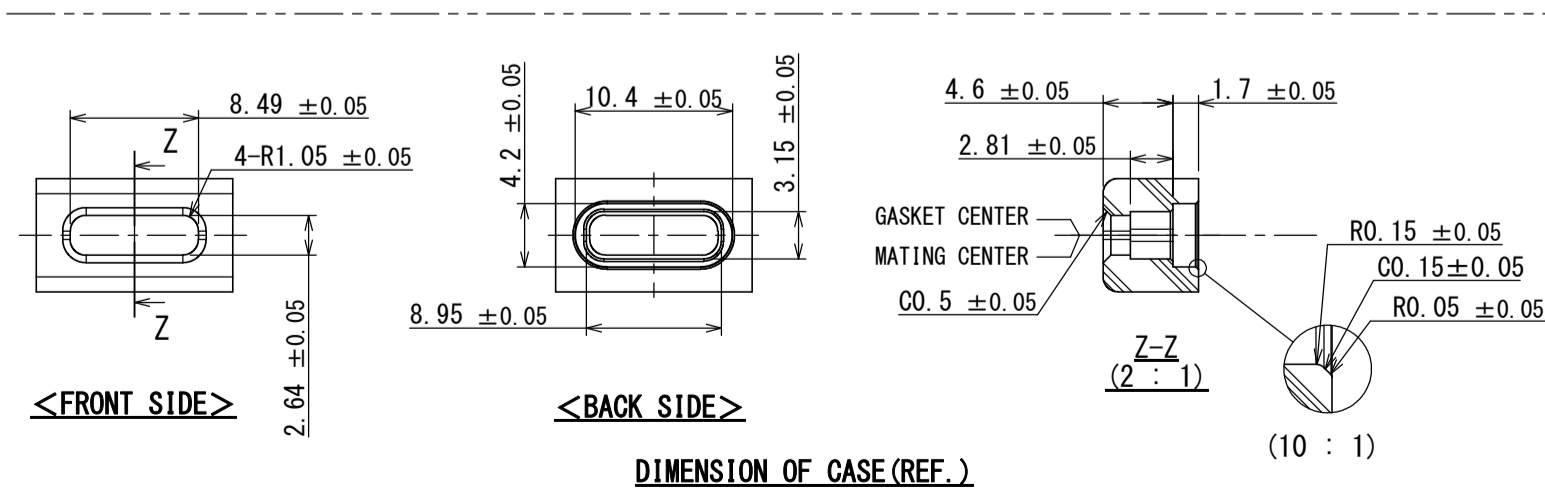
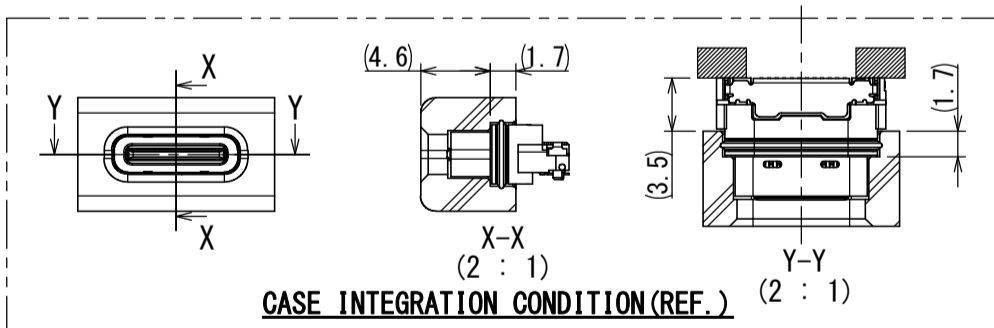
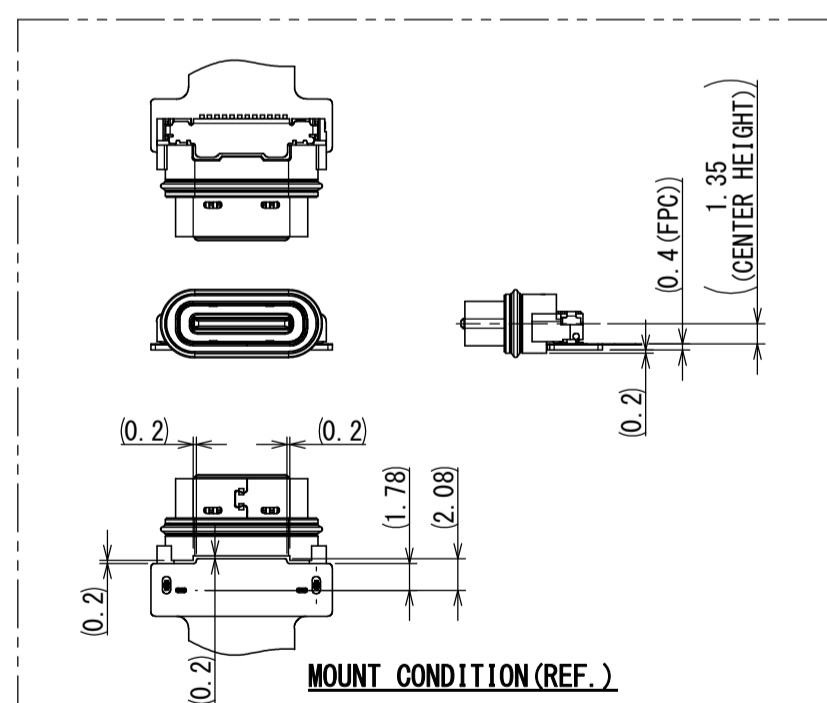
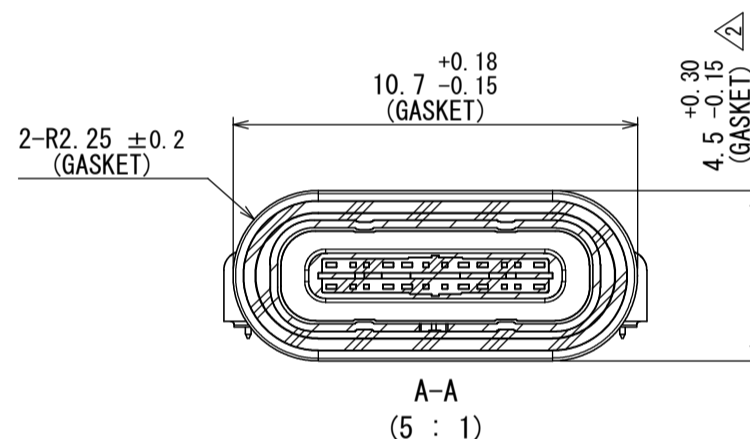
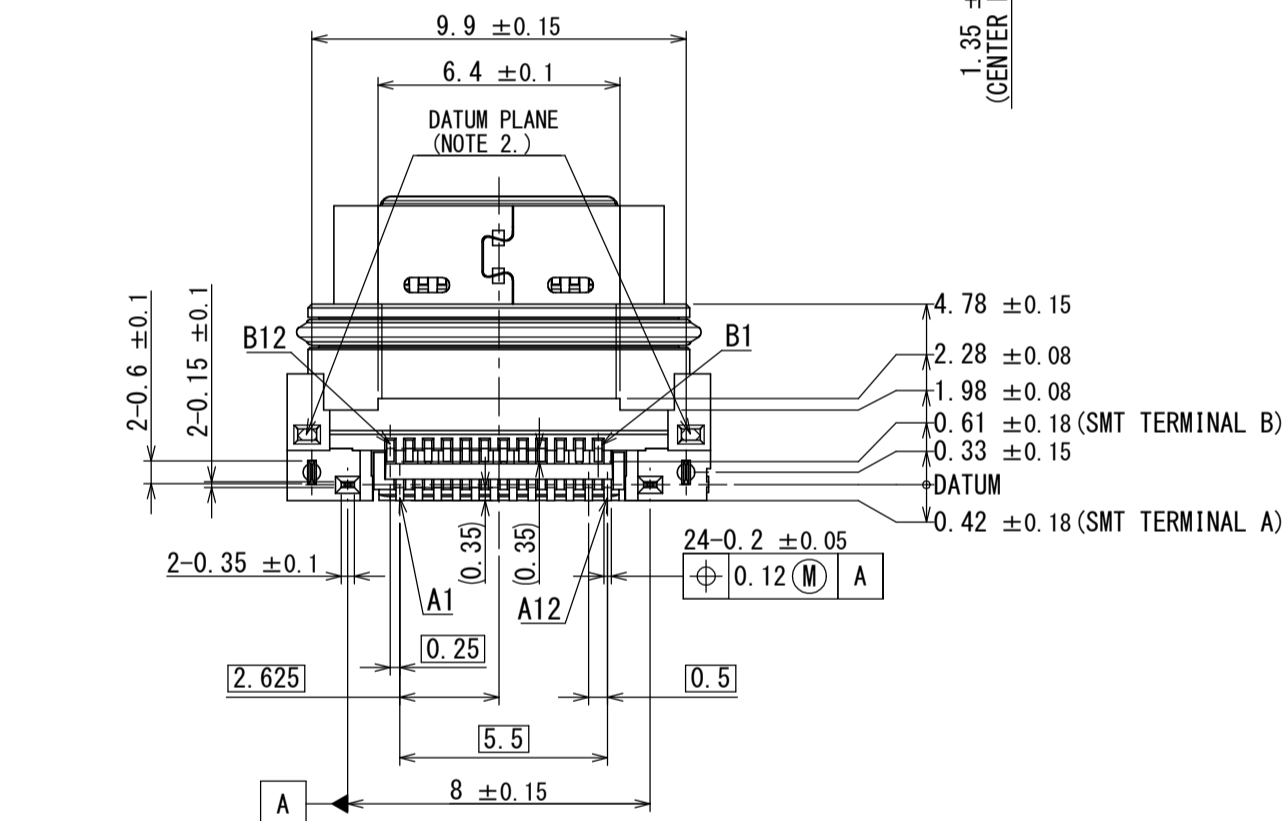
- NOTE 1. COPLANARITY OF SMT TERMINAL BE 0.1 MAXIUM.
- NOTE 2. THIS FACE IS DATUM PLANE.
- NOTE 3. MATING DIMENSIONS CONSIST OF "Universal Serial Bus Type-C Cable and Connector Specification Revision 1.2"
- NOTE 4. THE SHELL LENGTH IS LESS THAN THE MINIMUM SPECIFIED BY THE USB TYPE C STANDARD. AS SUCH IT CANNOT INDEPENDENTLY BE GUARANTEED TO MEET ALL TYPE C MECHANICAL REQUIREMENTS. THE SYSTEM IMPLEMENTER IS RESPONSIBLE FOR ACHIEVING PRODUCT RELIABILITY AND PASSING USB COMPLIANCE TESTING. REFERENCE THE USB TYPE C SPECIFICATION RELEASE 1.2, SECTION 3.2.1, NOTE 7.
- NOTE 5. METAL EXPOSED AREA SIZE COULD BE SLIGHTLY CHANGED BASED ON MOLDING PROCESS CONDITION IN EACH LOT, HOWEVER THIS WOULD NOT AFFECT CONNECTOR FUNCTION.
- NOTE 6. VACUUM AREA.
- NOTE 7. PIN ASSIGNMENT (FRONT VIEW)

Pin No.	A1	A2	A3	A4	A5	A6	A7	A8	A9	A10	A11	A12
	GND	TX1+	TX1-	V _{BUS}	CC1	D+	D-	SBU1	V _{BUS}	RX2-	RX2+	GND
Pin No.	B12	B11	B10	B9	B8	B7	B6	B5	B4	B3	B2	B1
	GND	RX1+	RX1-	V _{BUS}	SBU2	D-	D+	CC2	V _{BUS}	TX2-	TX2+	GND

NOTE 8. LOT NO. IS MARKED AS SHOWN IN BELOW TABLE.

YEAR (1 DIGIT)	MONTH (1 DIGIT)	DAY (1 DIGIT)	LINE (1 DIGIT)
YEAR MARKING	MONTH MARKING	DAY MARKING	LINE MARKING
2018	8	1	1
2019	9	2	2
2020	0		
2021	*	*	
2022	*	*	
2023	*	*	
2024	4	9	*
2025	5	10	*
2026	6	11	*
2027	7	12	

NOTE 9. THE P.C.B. LAYOUT IS ONLY FOR REFERENCE. ACTUAL PCB DESIGN (INCLUDING DIMENSION AND TOLERANCE) IS SUPPOSED TO BE INVESTIGATED BY DEVICE MANUFACTURER.



序号	名称	数量	材料	仕上	備考
NO.	DESCRIPTION	QTY.	MATERIAL	FINISH	REMARKS
8	REAR SHIELD	1	STAINLESS STEEL	NICKEL PLATING	-
7	GASKET	1	SILICONE RUBBER	-	COLOR: RED
6	SHELL	1	STAINLESS STEEL	-	-
5	MID PLATE	1	STAINLESS STEEL	NICKEL PLATING	-
4	CONTACT B	12	COPPER ALLOY	CONTACT AREA: GOLD OVER NICKEL SOLDER TAILS: GOLD FLASH OVER NICKEL	CONTACT AREA: NICKEL: 1 μm MIN GOLD: 0.1 μm MIN
3	CONTACT A	12	COPPER ALLOY	CONTACT AREA: GOLD OVER NICKEL SOLDER TAILS: GOLD FLASH OVER NICKEL	CONTACT AREA: NICKEL: 1 μm MIN GOLD: 0.1 μm MIN
2	SUB ASSEMBLY INSERT MOLD	1	HEAT RESISTING PLASTIC	-	COLOR: BLACK
1	MID PLATE INSERT MOLD	1	HEAT RESISTING PLASTIC	-	COLOR: BLACK

仕様書 (SPECIFICATION)		第1版 (ORIGINAL DATE)	尺度 (SCALE)	シリーズ (SERIES)	
JACS-30398 JAHL-30398		25/MAY/2018	5:1	DX07	
一般公差 (GENERAL TOLERANCE)		製図 DR.	名称 (TITLE)		
寸法 (DIMENSION):		担当 CHK.	DX07W024JA1		
角度 (ANGLES):		査閲 APPD.	図面番号 (DRAWING NO.)		
. ± 0.8		承認 APPD.	SJ119582		
× ± 0.4		承認 APPD.	質量 (MASS)		
×× ± 0.1			単位 (UNIT): mm		
××× ±					