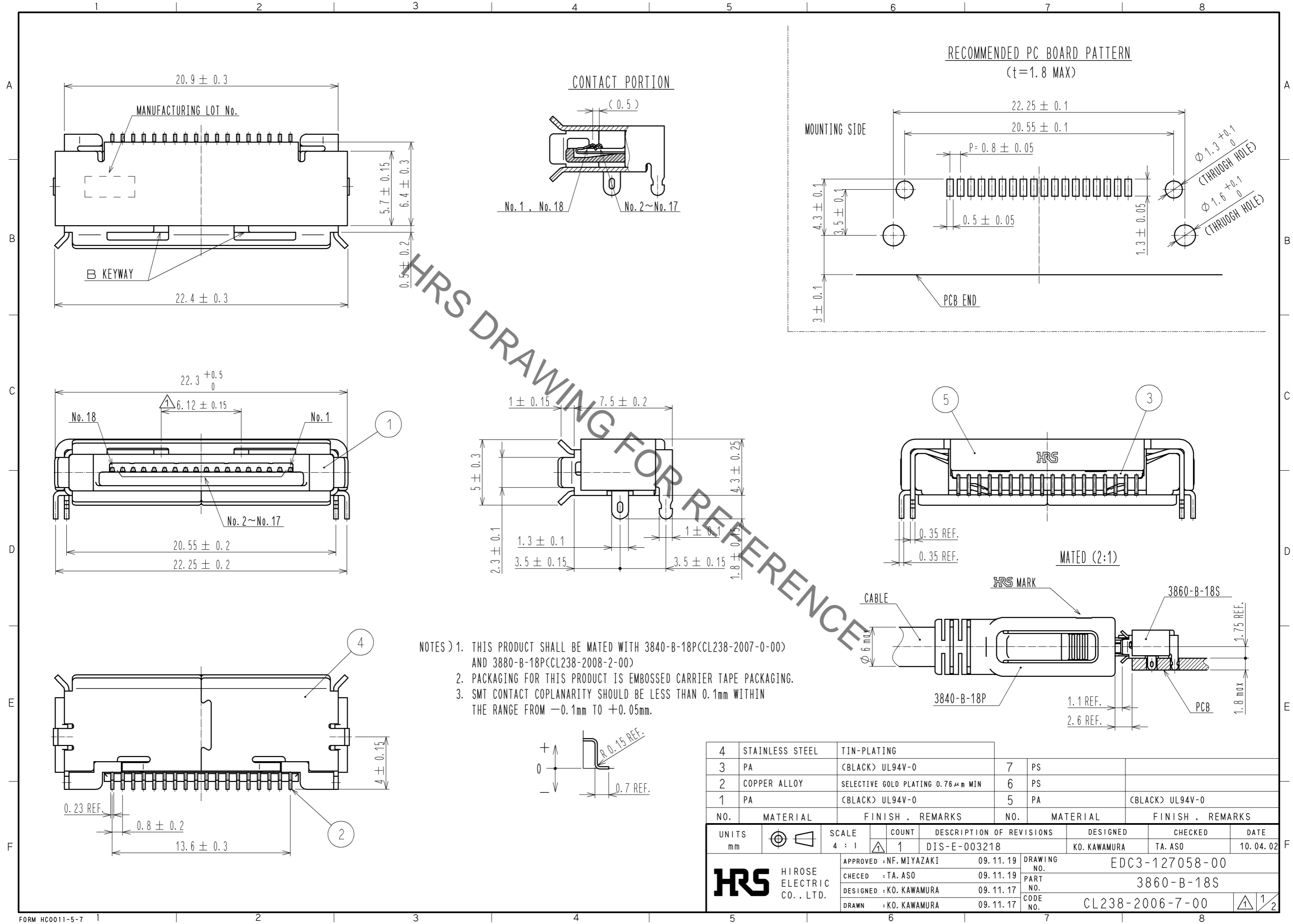


May.1.2023 Copyright 2023 HIROSE ELECTRIC CO., LTD. All Rights Reserved.
 In case of consideration for using Automotive equipment / device which demand high reliability, kindly contact our sales window correspondents.

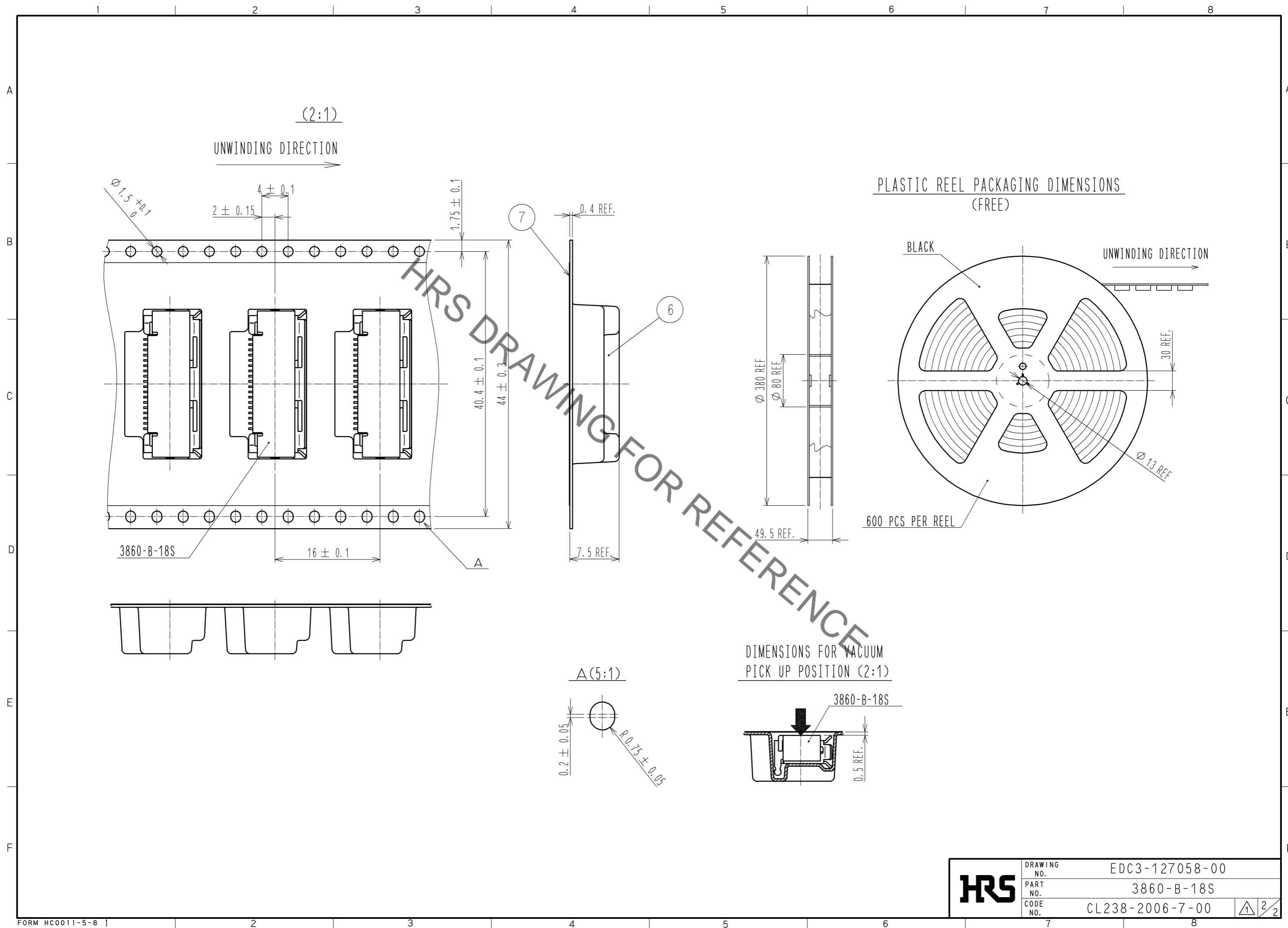


NO.	MATERIAL	FINISH	REMARKS	NO.	MATERIAL	FINISH	REMARKS
4	STAINLESS STEEL	TIN-PLATING		7	PS		
3	PA	(BLACK)	UL94V-0	6	PS		
2	COPPER ALLOY	SELECTIVE GOLD PLATING	0.76 μm MIN	5	PA	(BLACK)	UL94V-0
1	PA	(BLACK)	UL94V-0				

UNITS	SCALE	COUNT	DESCRIPTION OF REVISIONS	DESIGNED	CHECKED	DATE
mm	4 : 1	1	DIS-E-003218	KO. KAWAMURA	TA. ASO	10.04.02

APPROVED	DATE	DRAWING NO.
NF. MIYAZAKI	09.11.19	EDC3-127058-00
CHECKED	DATE	PART NO.
TA. ASO	09.11.19	3860-B-18S
DESIGNED	DATE	CODE NO.
KO. KAWAMURA	09.11.17	CL238-2006-7-00
DRAWN	DATE	
KO. KAWAMURA	09.11.17	

May.1.2023 Copyright 2023 HIROSE ELECTRIC CO., LTD. All Rights Reserved.
 In case of consideration for using Automotive equipment / device which demand high reliability, kindly contact our sales window correspondents.



HRS	DRAWING NO.	EDC3-127058-00
	PART NO.	3860-B-18S
	CODE NO.	CL238-2006-7-00
		2/2