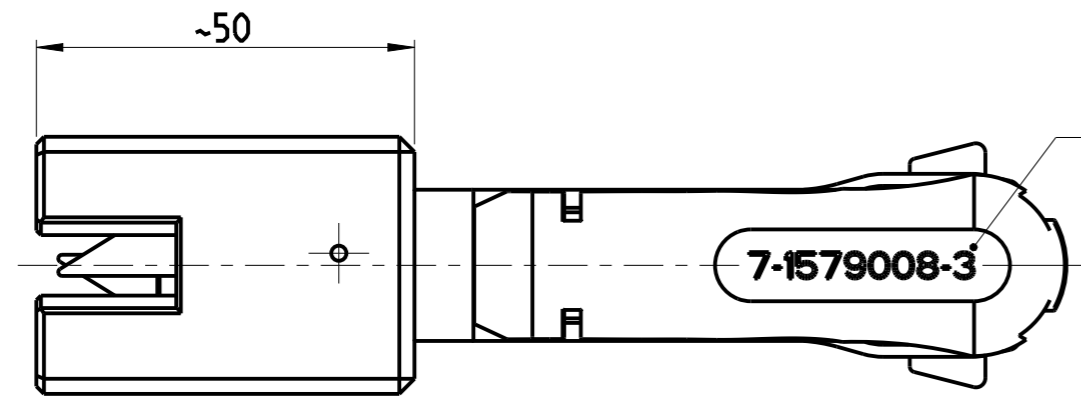
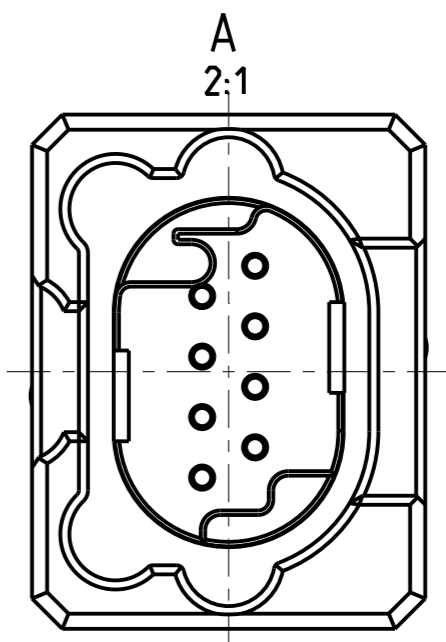
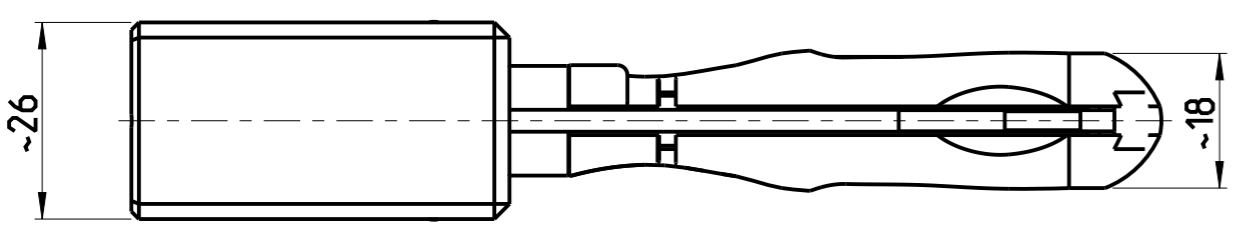
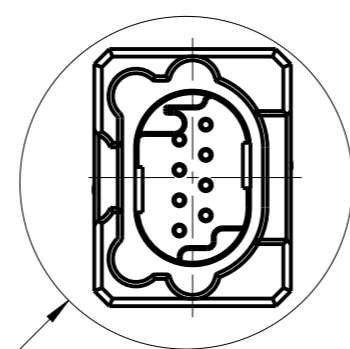
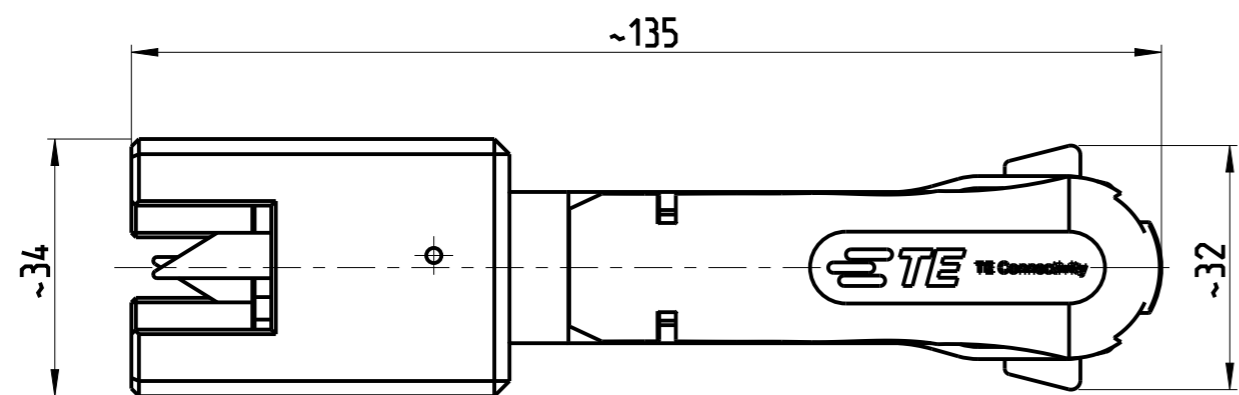
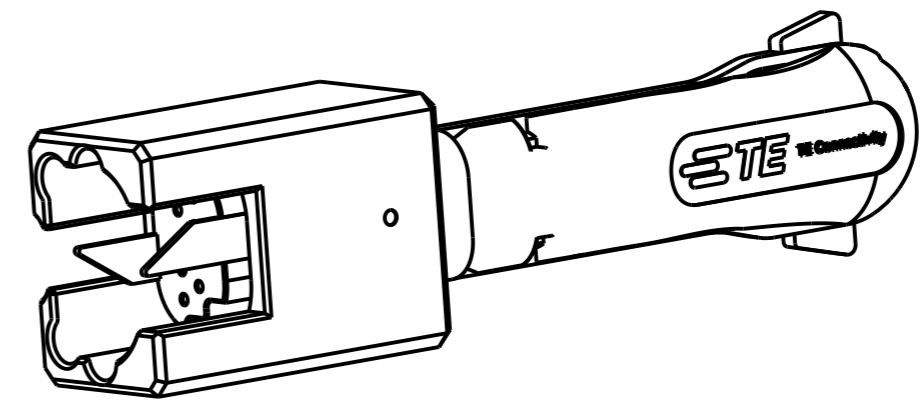


P	LTR	DESCRIPTION	DATE	DWN	APVD
A2	ECR-18-013445		23AUG2018	KH	BM
A3	ECR-21-001695		12FEB2021	PNT	GS



ITEM NUMBER
Art-Nr H=3mm



APPLICATION RANGE / Anwendungsbereich

CONTACT MQS: 962886. 965908
HOUSING 4 Pos. MQS: 929342

THIS DRAWING IS A CONTROLLED DOCUMENT.

DIMENSIONS:	TOLERANCES UNLESS OTHERWISE SPECIFIED:	
mm	0 PLC	±
	1 PLC	±
	2 PLC	±
	3 PLC	±
	4 PLC	±
	ANGLES	±
MATERIAL	FINISH	-

DWN	S. Samstag	05JUN2008
CHK	S. Samstag	05JUN2008
APVD	S. Samstag	05JUN2006
PRODUCT SPEC	-	-
APPLICATION SPEC	-	-
WEIGHT	0.15kg	-

		NAME		RESTRICTED TO
		UNLOCKING TOOL Enriegelungswerkzeug		
SIZE	CAGE CODE	DRAWING NO	-	
A3	00779	C-7-1579008-3	-	

CUSTOMER DRAWING SCALE 1:1 SHEET 1 OF 1 REV A3