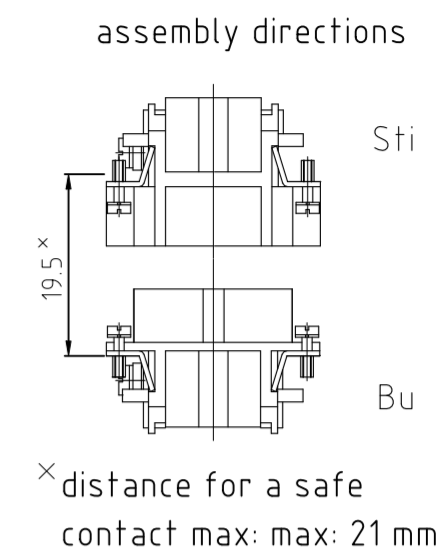
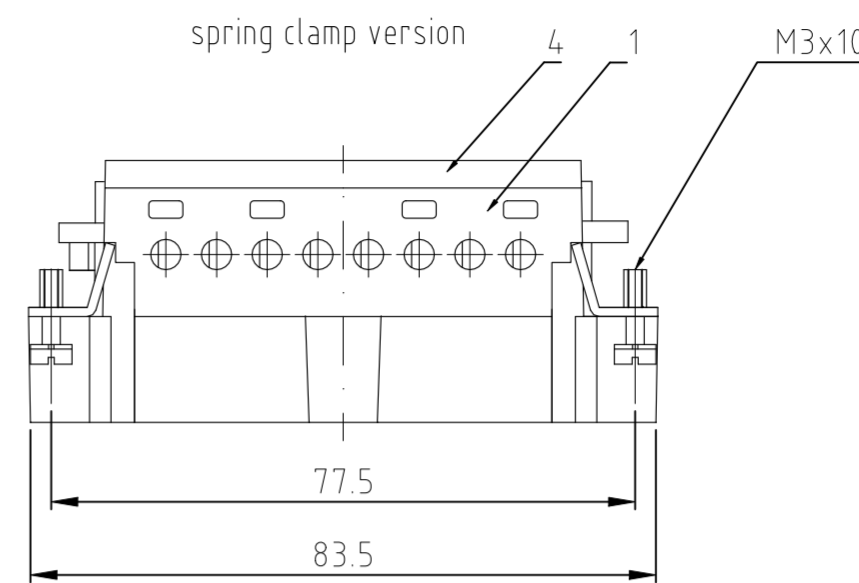
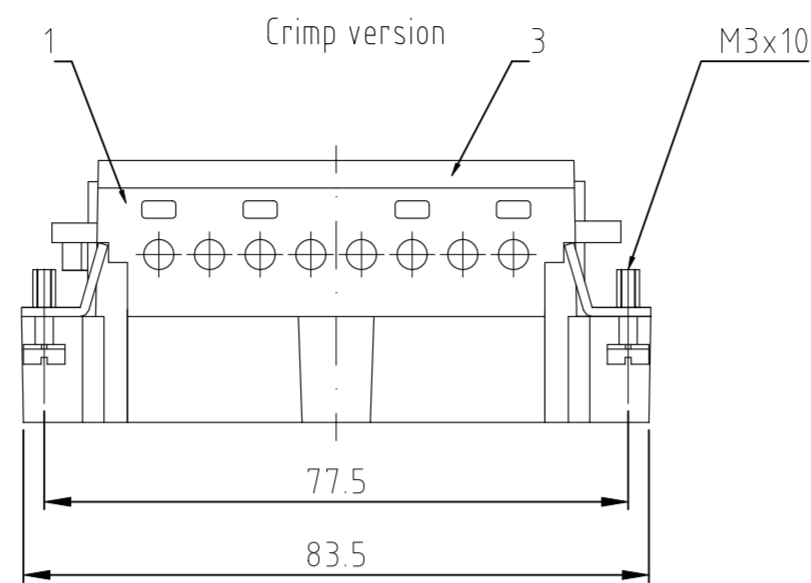
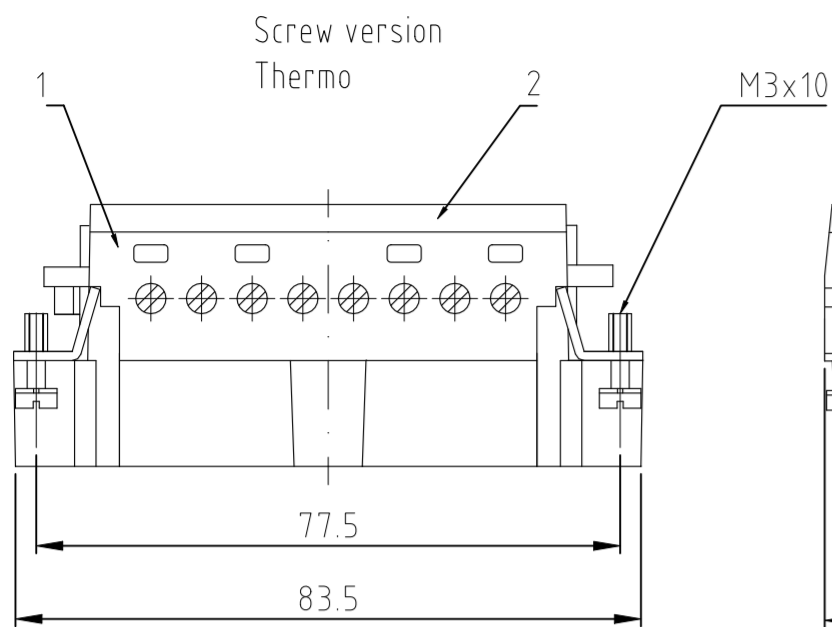
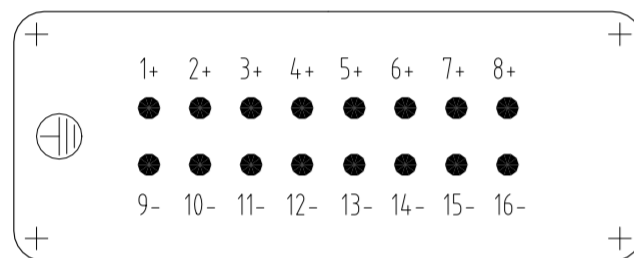


REVISIONS					
ÄNDERUNGEN					
P	LTR	DESCRIPTION	DATE	DWN	APVD
BESCHREIBUNG					
C12		ECR-21-123503	06JUL2022	RK	JB

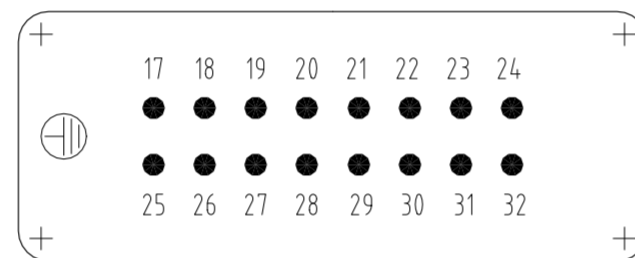


Contact arrangement view from termination side

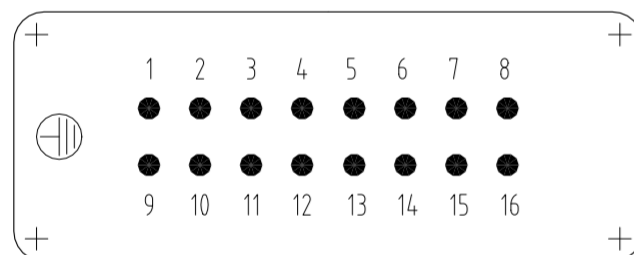
Printing 1-16 Thermo



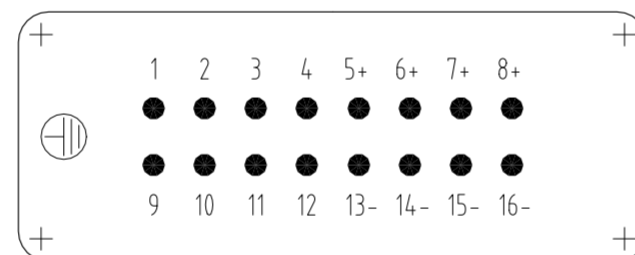
Printing 17-32 Screw



Printing 1-16 Screw



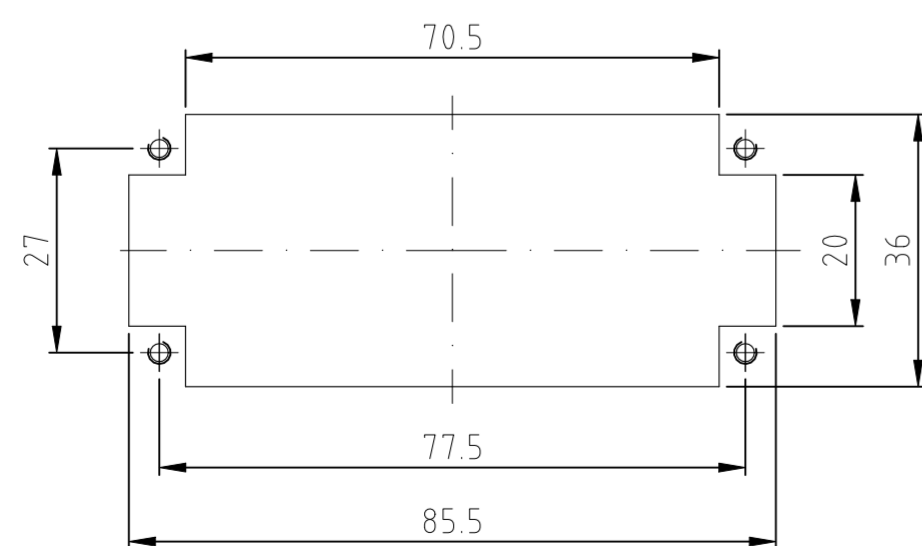
Printing 8+4+4 Screw/Thermo



NOTES:

- 1 SUITABLE CRIMP CONTACTS: SERIES HE/HA
OUTER DIMENSIONS OF INSULATION: MAX. Ø3,2 MM
- 2 SUITABLE HOOD SIZE 6; 10: SERIES HB; HD;HIP;EMV
SUITABLE INSERTION AND EXTRACTION TOOL:
SCREWDRIVER 0,5x3 DIN 5264
- 3 Strip lenght: Screw conection 10mm
Spring clamp conection 10mm Crimp conection 7.5mm
- 4 STANDARDS:
DIN EN 61984; DIN EN 60664-1
- 5 PACKAGING:
5 SETS IN A CARTON, PRE-MOUNTED
- 6 SPECIAL PACKAGING: Krauss-Maffei
PACKAGING UNIT: 200 PIECES

Panel cut-out for contact insert when used without housing



HE.16.Sti.S.B.1-16-KM	OBSOLETE	1	cover spring clamp version	light grey	4	
HE.16.Sti.S.B.17-32-AU	OBSOLETE	1	cover crimp version	light grey	3	
HE.16.Sti.S.T.B.8+4+4	OBSOLETE	1	cover screw version	light grey	2	
HE.16.Sti.S.B.1-16-AU	OBSOLETE	1	pin insert	light grey	1	
HE.16.Sti.S.C.B.17-32	OBSOLETE	1				
HE.16.Sti.S.C.B.1-16	OBSOLETE	1				
HE.16.Sti.S.C.B.17-32	OBSOLETE	1				
HE.16.Sti.C	OBSOLETE	1				
HE.16.Sti.S.B.17-32	OBSOLETE	1				
HE.16.Sti.S.T.B.1-16	OBSOLETE	1				
HE.16.Sti.S.B.1-16	OBSOLETE	1				

ORDERING TEXT

THIS DRAWING IS A CONTROLLED DOCUMENT.
DIESE ZEICHNUNG IST EIN KONTROLLIERTES DOKUMENT.

DIMENSIONS: MASSENHEITEN mm
TOLERANCES, UNLESS OTHERWISE SPECIFIED: ALLGEMEINTOLERANZEN

0 PLC ±
1 PLC ±
2 PLC ±
3 PLC ±
4 PLC ±
ANGLES / WINKEL ±

FINISH / OBERFLAECHE / FARBE

APVD: Schneider 08.02.99
CHK: Schweiger 08.02.00

PRODUCT SPEC: PRODUKTSPEZ.
APPLICATION SPEC: VERARBEITUNGSSPEZ.

WEIGHT: -
SCALE: A2 00779

CUSTOMER DRAWING / KUNDENZEICHNUNG

SCALE: MASSTAB 1:1
SHEET: BLATT 1 OF 1
REV: C12

TE Connectivity
Male insert
HE.16.STIs/C

1103638