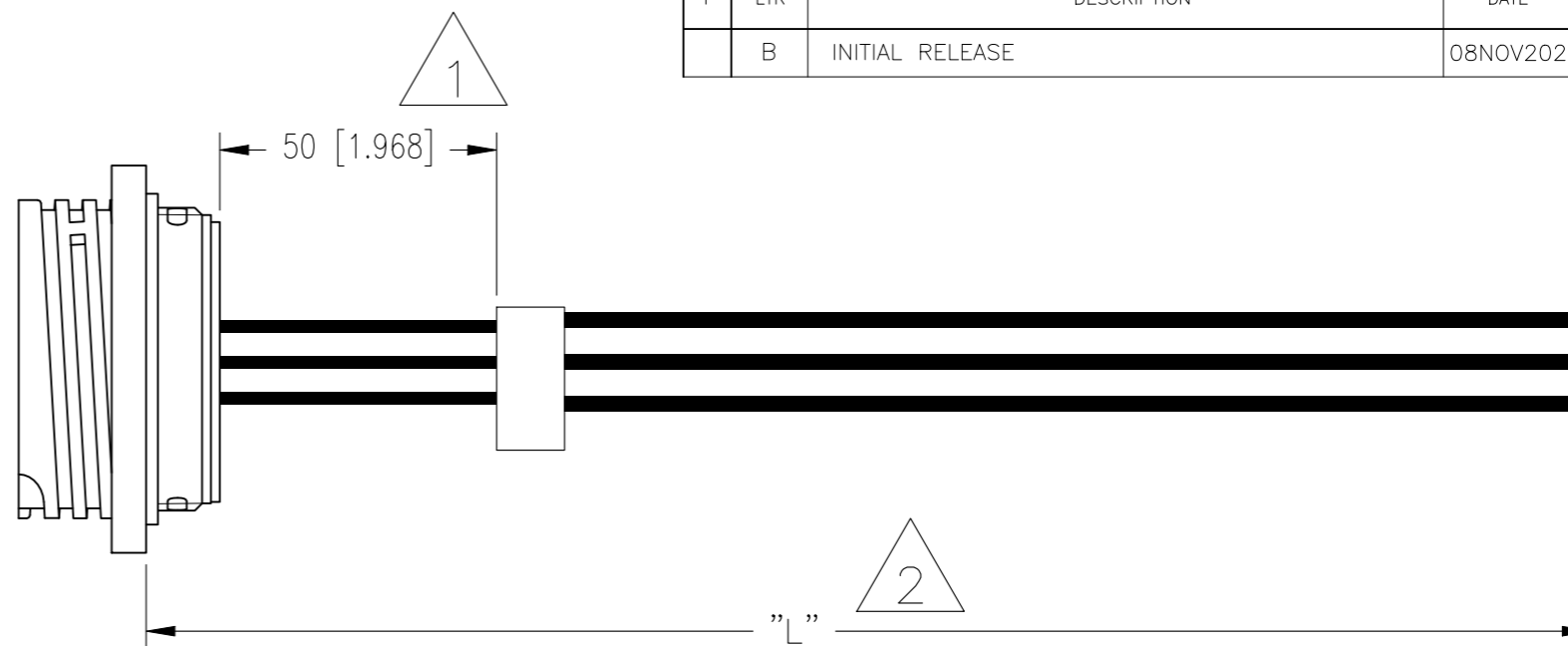
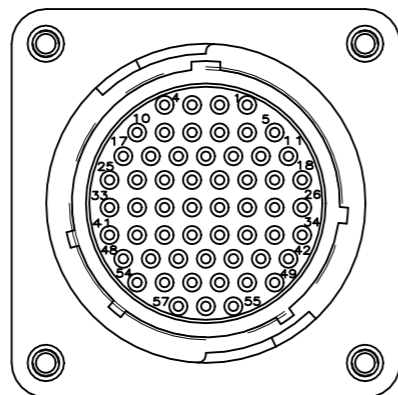


REVISIONS				
P	LTR	DESCRIPTION	DATE	APVD
	B	INITIAL RELEASE	08NOV2021	GSK JDA



NOTES:

1 LABEL LOCATED APPROXIMATELY WHERE SHOWN.
LABEL INFORMATION AS FOLLOWS:

2387138-X	TE P/N
REV B	CUST REV
TE/MEXICO	MANUFACTURER NAME/COUNTRY OF ORIGIN
MM/DD/YY	DATE CODE

3. TOLERANCES PER IPC STANDARD:
IPC-A-620A

Metric	
<0.3 m	+25mm -0mm
>0.3 m - 1.5m	+50mm -0mm
>1.5 m - 3m	+100mm -0mm
>3 m - 7.5m	+150mm -0mm
>7.5m	+5% -0%

2 "L" REPRESENTS THE LENGTH OF THE WIRE USED FOR THE LEADS.

TE PN	LENGTH "L"
2387138-1	0.5M
2387138-2	1.0M
2387138-3	2.0M

- 4. HARNESS SHALL BE SHIPPED IN SEALED PLASTIC BAG.
- 5. CONTINUITY ELECTRICAL TEST MUST BE PERFORMED.
- 6. WIRE 24 AWG

THIS DRAWING IS A CONTROLLED DOCUMENT.		DWN 08NOV2021 SATHISH KUMAR G		
DIMENSIONS: mm [INCHES]		CHK 08NOV2021 JUAN AVILA		
TOLERANCES UNLESS OTHERWISE SPECIFIED:		APVD 08NOV2021 JUAN AVILA	NAME CPC SQ. FLANGE RCPT CONNECTOR CABLE, REV SEX, SERIES 2, 23-57	
		PRODUCT SPEC	RESTRICTED TO	
0 PLC ± - 1 PLC ± - 2 PLC ± - 3 PLC ± - 4 PLC ± - ANGLES ± -		APPLICATION SPEC	SIZE	CAGE CODE
MATERIAL		WEIGHT	A3	00779
FINISH		DRAWING NO		RESTRICTED TO
		G-2387138		
CUSTOMER DRAWING			SCALE	SHEET
			NTS	1 OF 1
			REV	B