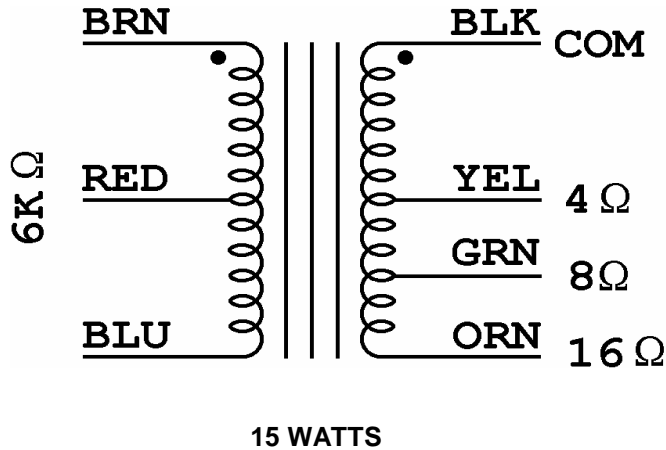
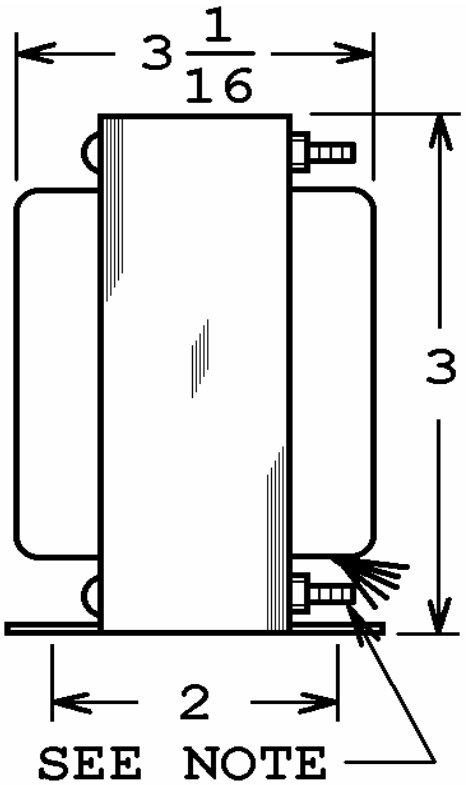
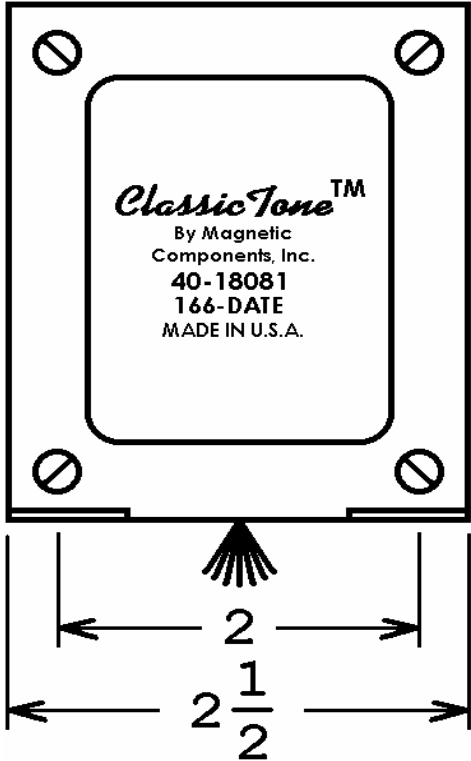


This drawing is the property of Magnetic Components, Inc. and shall not be reproduced, in whole or in part, without the written permission of Magnetic Components, Inc.

REVISIONS			
LTR	DESCRIPTION	DATE	APPROVED



NOTE: RIGHT SIDE END BELL IS REMOVABLE FOR LAY-DOWN STYLE MOUNTING WITH #8-32 SCREWS ON 2.0 X 2.5 MOUNTING CENTERS.

UNLESS OTHERWISE SPECIFIED		SIGNATURES		DATE		MAGNETIC COMPONENTS, INC.		DIV :					
ALL DIMENSIONS IN INCHES DO NOT SCALE DRAWING		DRAWN : <i>MJF</i>		09 AUG 11		TITLE		LOC : SCHILLER PK					
FRACTIONS +/-		CHECK :				<h1>VOX AC15 OUTPUT</h1>							
.X = +/-		APPR : <i>M. Lakota</i>		09 AUG 11									
.XX = +/-													
.XXX = +/-													
ANGLES = +/-						CAGE	50508	SIZE	A	PART No.	40-18081	REV	-
						SCALE	NONE					SHEET :	