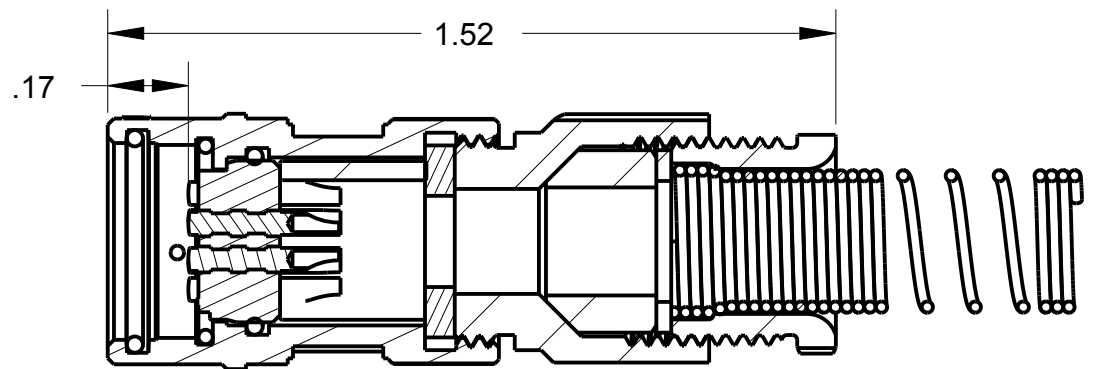
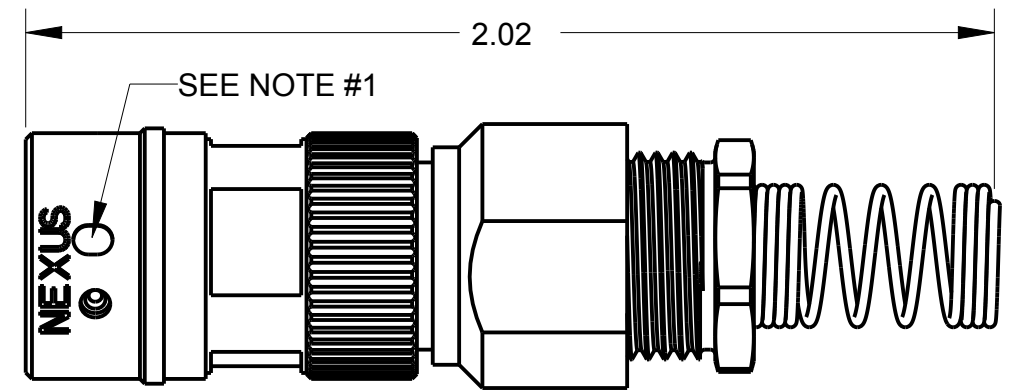


B

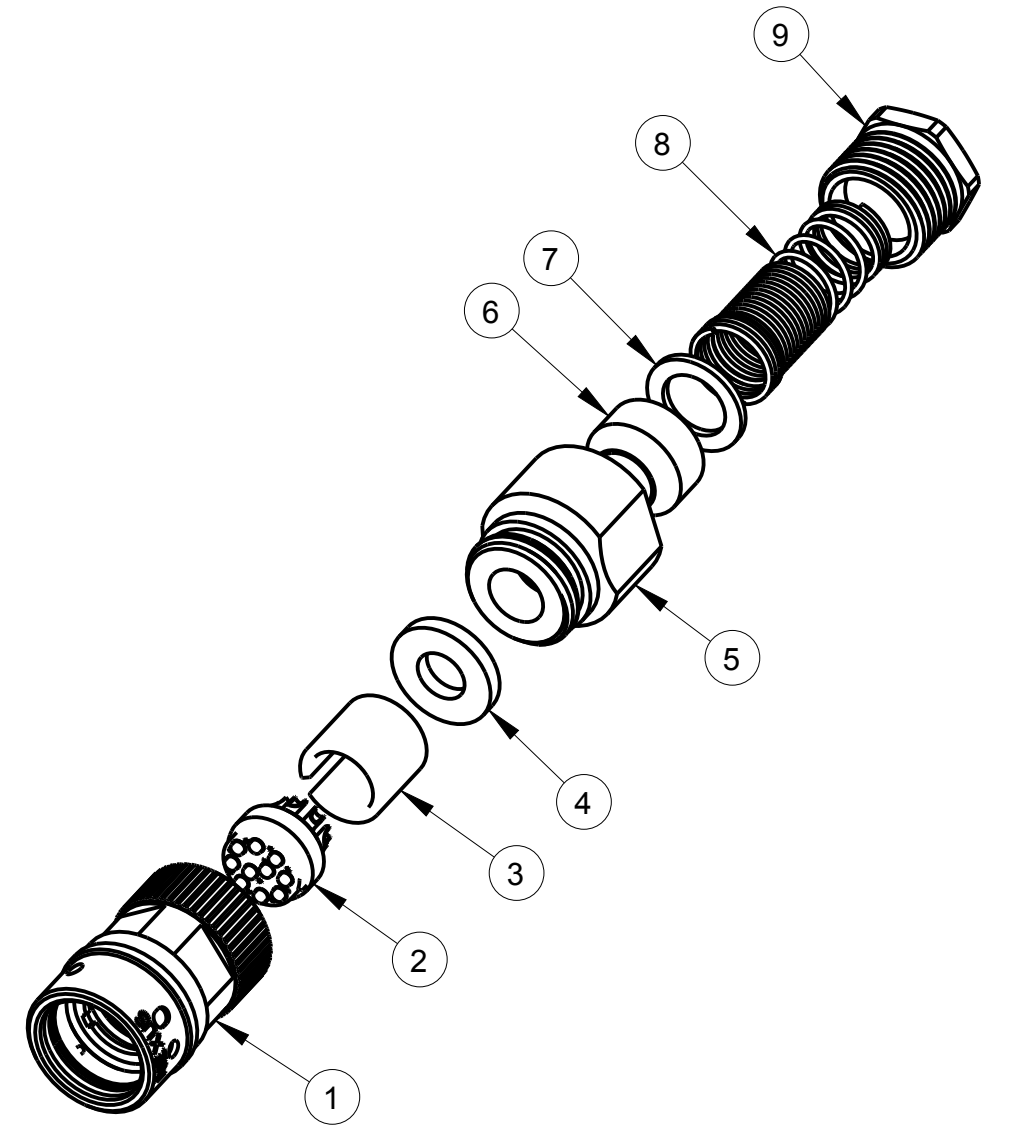
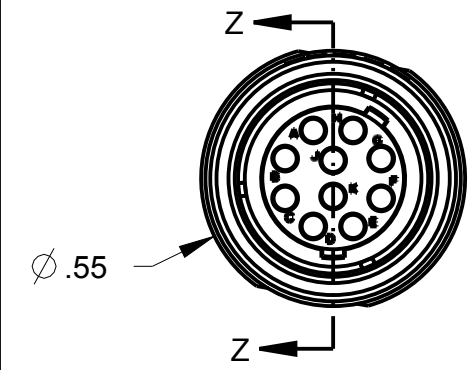
MAP-60-30CP

ITEM #	PART #	QTY	DESCRIPTION
1	MAP-60-11	1	OM PLUG HOUSING
2	MAP-60-02	1	PLUG INSERT, 10 COND
3	MAP-60-06C	1	STRAIN RELIEF
4	MAP-60-07	1	WASHER, RUBBER
5	MAP-60-08	1	NUT, OM ADAPTER
6	AJ-117BR-9	1	BUSHING -1/4"
7	AJ-117BR-10	1	WASHER - 1/4"
8	AJ-117BR-15	1	SPRING - 1/4"
9	AJ-117BR-11	1	STUD, SHELL - 1/4"

NOTES:
1) ORANGE ALIGNMENT DIMPLE



SECTION Z-Z



THIS DOCUMENT CONTAINS PROPRIETARY INFORMATION OF NEXUS, INCORPORATED AND SUCH INFORMATION MAY NOT BE DISCLOSED TO OTHERS FOR ANY PURPOSE OR USED FOR ANY PURPOSE WITHOUT THE WRITTEN CONSENT OF NEXUS.

LET.	REVISION	CN #	DATE	CHK.
B	CHG: MAP-60-06 TO MAP-60-06C	243	9/21 2017	HR
A	NEW RELEASE		3/3 2017	HR

DWN.BY	HR	DATE	3-3-17
CHECKED BY		DATE	
APPR.BY		DATE	
UNLESS OTHERWISE SPECIFIED: DIMENSIONS ARE IN INCHES &/OR (mm)			
TOLERANCES:			
DECIMAL: .XX[X.X] .XXX[X.XX]			
± .01[0.3] ± .003[0.08]			
FRACTION: X/X		ANGLES: X	
± 1/64		± .5°	

MATERIAL	
FINISH	
WEIGHT —	SCALE = 2.00 :1
TITLE	
10 - COND PLUG ϕ .250 CABLE	
DO NOT SCALE DWG.	SHEET 1 OF 1

NEXUS STAMFORD, CONN	
SIZE	DWG. NO.
B	MAP-60-30CP