



ANATECH ELECTRONICS INC
RF & Microwave Filters & Products

Connectorized Ceramic Duplexer

Part Number: AM1880-1960D268-C



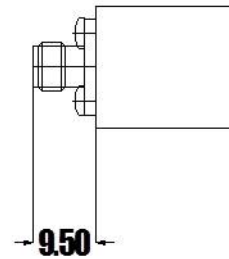
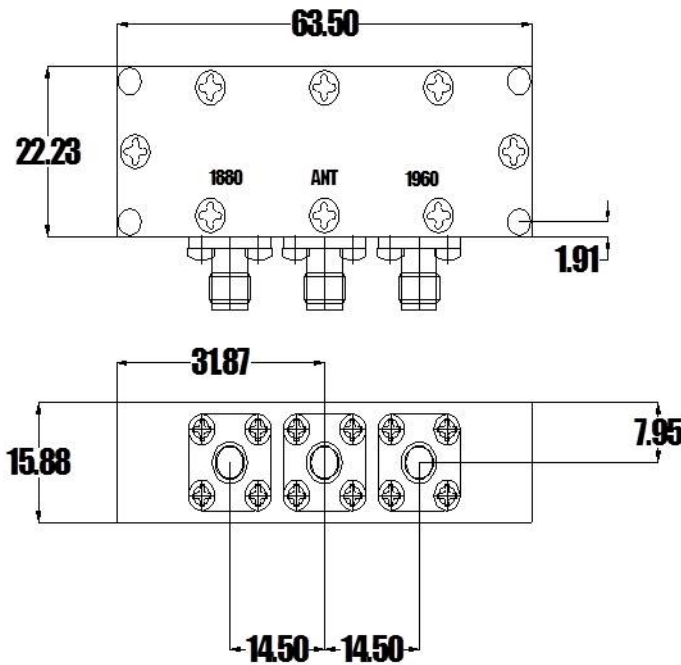
Characteristics	Band 1 (TX)	Band 2 (RX)
Passband:	1850-1910 MHz	1930-1990 MHz
Bandwidth:	60 MHz	60 MHz
VSWR:	1.5:1 Max	1.5:1 Max
Passband Insertion Loss:	4.2 dB max	4.5 dB max
Passband Ripple:	<2.2 dB	<2.2 dB
Input / Output Impedance:	50 Ohms	50 Ohms
Isolation:	50 dB min	49 dB min
Power Handling:	5 W Max	5 W Max

Mechanical	
Connector:	SMA (F)
Dimensions:	63.50 x 22.23 x 15.88 mm

Environmental	
Operating Temperature:	-40 to +85 deg.C
Storage Temperature:	-50 to +90 deg.C

This product is RoHs compliant.

Outline Drawing:



CONNECTION : PORT : SMA(Female)-All
Ports TOLERANCE : ±0.30
UNIT : mm



ANATECH ELECTRONICS INC
RF & Microwave Filters & Products

Connectorized Ceramic Duplexer

Part Number: AM1880-1960D268-C

