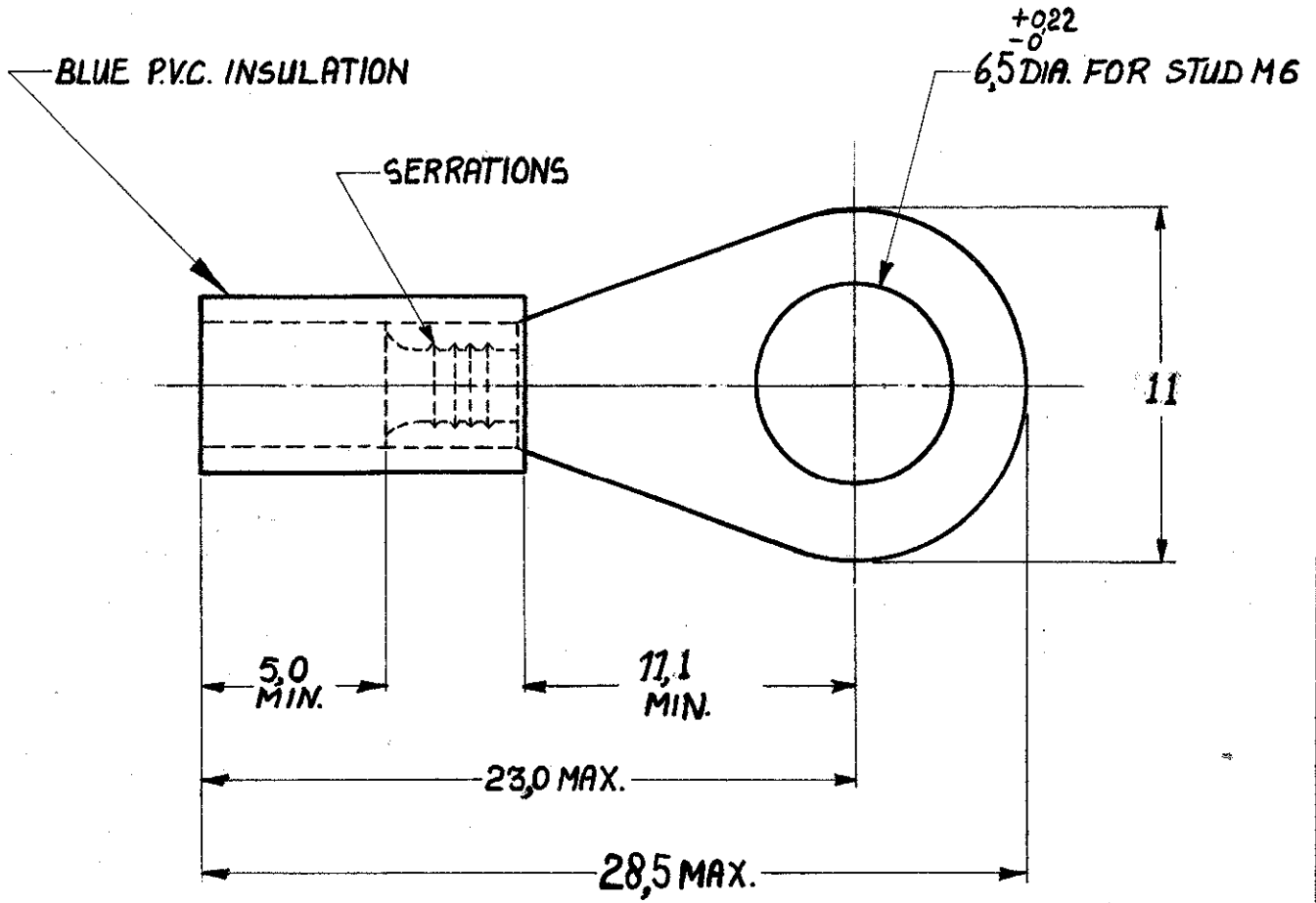


NUMBER
C-165410-E



TONGUE MATERIAL THICKNESS: 0,8

CUSTOMER COPY FOR REFERENCE ONLY

©1970 BY AMP-HOLLAND N.V. ALL RIGHTS RESERVED A-MP PRODUCTS COVERED BY PATENTS AND/OR PATENTS PENDING.



AMP-HOLLAND N.V.
's-HERTOGENBOSCH
HOLLAND

165410		COPPER	TIN	WIRE-RANGE 15-25 mm ²	INSUL.-RANGE 3,9 DIA. MAX	TYPE PLASTI-GRIP	DIN
ORDER NO.	MATERIAL	PLATING	SCALE 4:1	LOC H	SIZE A	NO C-165410-E	REV D
DR R. J. J. Sijse 2/11-70	DATE 2/11-70	DE	DATE	NAME INSULATED RINGTONGUE for stud M6	DATE 6/11-1970		

REV B 30-8-85
DIMENSIONS IN M.M. DO NOT SCALE PRINT