

### WDU9-1000

#### Electrical Specifications (@25C)

1. Primary Rating: 120V 60Hz (15.5W @ Full Load)
2. Primary Excitation Current: 75mA Max
3. Secondary Rating: 9VDC  $\pm$  5%, 1000mADC
4. Secondary No-Load Rating: 12.7VDC Ref.
5. Output Ripple Voltage: 900mV Max
6. Operating Temperature Range: -10 Deg C to +40 Deg C
7. Temperature Rise: 75 Deg C Max at rated load  
50 Deg C Max on enclosure surface

#### Mechanical Parameters:

Case Type: Thermoplastic molded enclosure.  
Output Cord: 24 AWG, 6 Ft. Long Min.

Agency File:

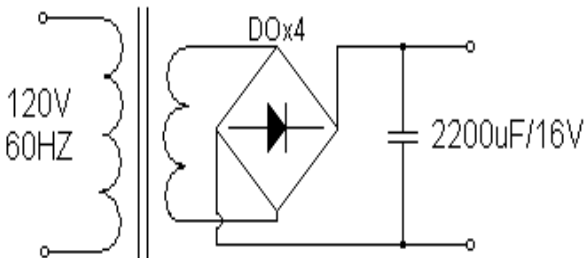
UL/CUL: File E245587, UL 1310

#### A. Dimensions:

H	W	D
80	60	48

\*Units: In Millimeter

#### B. Schematic:

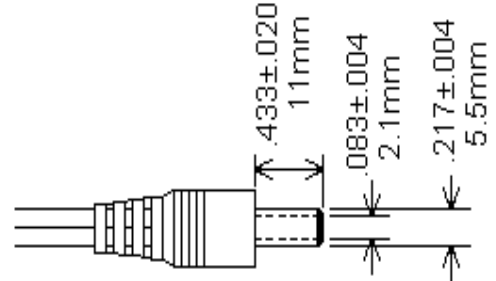
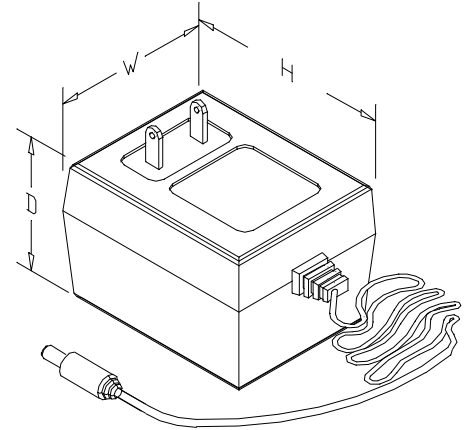


Technical Note: 1. Inside (tip)-positive (+), outside-negative (-)

**DOE Compliance:** Effective December 30, 2017, the DOE will now not consider an external power supply with specific characteristics to meet the definition of a device that is subject to EPCA regulation, as long as the power supply is not distributed for use with consumer products.

**RoHS Compliance:** As of manufacturing date February 2016, all standard products meet the requirements of 2015/863/EU, known as the RoHS 3 initiative.


\* Upon printing, this document is considered "uncontrolled". Please contact Triad Magnetics' website for the most current version.




## TR [ AD

**CLASS 2 POWER SUPPLY**  
MODEL:WDU9-1000  
INPUT:120VAC 60Hz,15.5W  
OUTPUT:9VDC @1000mA

— — — — — +

  
LISTED  
5G66  
E245587

  
MADE IN CHINA **XXXX**

FOR INDUSTRIAL AND COMMERCIAL USE ONLY