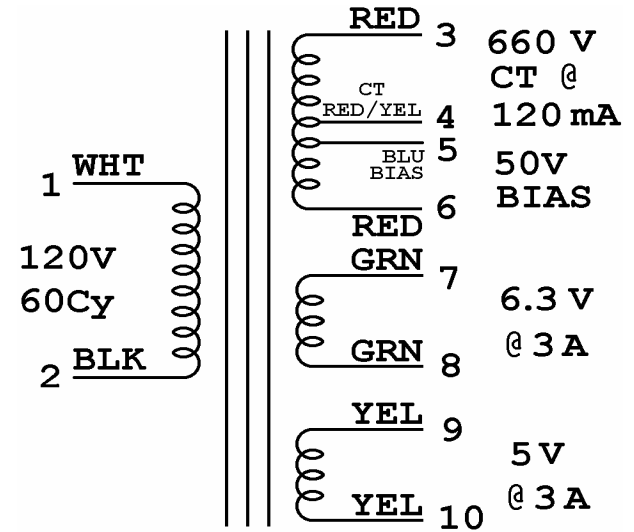
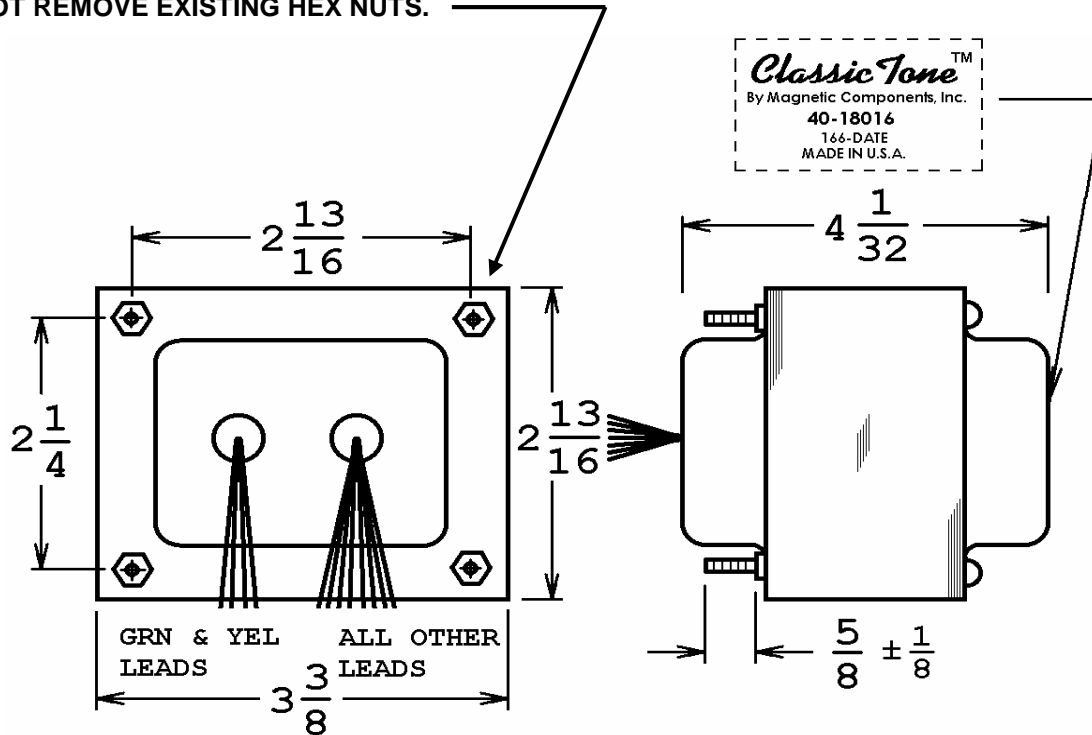


40-18016

This drawing is the property of Magnetic Components, Inc. and shall not be reproduced, in whole or in part, without the written permission of Magnetic Components, Inc.

REVISIONS			
LTR	DESCRIPTION	DATE	APPROVED
A	DEL TRU-TONE MARKING	05/01/09	M. Sacketti
B	ADD ClassicTone, PROPRIETARY NOTE	01/07/10	M. Sacketti
C	ADD RED-RED/YEL-RED AC V, RED/YEL-BLU	04/05/11	M. Sacketti
D	ADD MOUNTING HARDWARE NOTE	10/27/11	M. Sacketti
E	ADD B+ VOLTAGES	09/11/13	M. Sacketti

USE FOUR # 8-32 HEX NUTS (NOT SUPPLIED) FOR CHASSIS MOUNTING. PLEASE DO NOT REMOVE EXISTING HEX NUTS.



RED-RED/YEL-RED = 330V-0-330V AC
RED/YEL-BLU= 50V BIAS

B+ VOLTAGES

RECT	@100mA	@ 120mA
5AR4	422V	413V
5Y3GT	412V	400V
5U4GB	396V	386V

UNLESS OTHERWISE SPECIFIED		SIGNATURES		DATE		MAGNETIC COMPONENTS, INC.		DIV :	
ALL DIMENSIONS IN INCHES DO NOT SCALE DRAWING		DRAWN : <i>M. Sacketti</i>		09 APR 09		TITLE		LOC : SCHILLER PK	
CHECK :		APPR : <i>M. Sacketti</i>		09 APR 09		CAGE 50508		SIZE PART No.	
FRACTIONS +/-		SCALE NONE		A		40-18016		REV E	
.X = +/-								SHEET :	
.XX = +/-									
.XXX = +/-									
ANGLES = +/-									