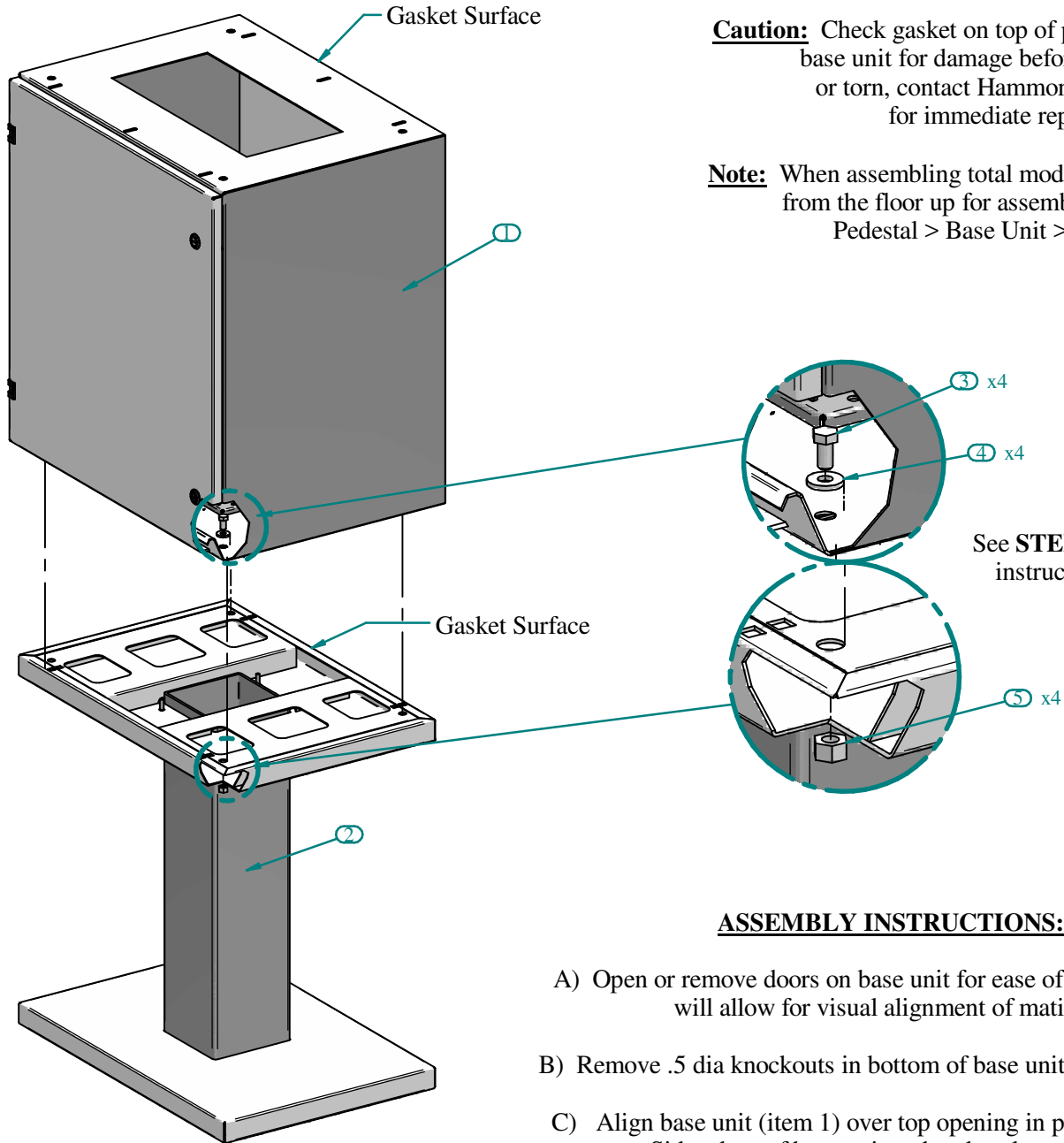


PRE - ASSEMBLY INSTRUCTIONS:

Caution: Check gasket on top of pedestal unit and base unit for damage before assembly. If cut or torn, contact Hammond Manufacturing for immediate replacement.

Note: When assembling total modular system build from the floor up for assembly ease. Plinth > Pedestal > Base Unit > Base Cover



See **STEP E** for instructions

ASSEMBLY INSTRUCTIONS:

- A) Open or remove doors on base unit for ease of assembly. This will allow for visual alignment of mating parts.
- B) Remove .5 dia knockouts in bottom of base unit before assembly.
- C) Align base unit (item 1) over top opening in pedestal (item 2). Side edges of base unit and pedestal are to be flush.
- D) Front and rear holes in base unit bottom are to be aligned with mounting holes on pedestal top.
- E) Once the base unit is seated properly on pedestal assemble using 3/8-16 x .75 hex head bolts and 3/8 nuts and sealing washers (item 3, 4 & 5). Torque bolts and nuts to 180 in/lbs.

PARTS LIST

ITEM No.	DESCRIPTION	QTY
1	BASE UNIT	1
2	PEDESTAL	1
3	3/8-16 X 3/4 HEX CAP SCREW	4
4	3/8 SEALING WASHER	4
5	3/8 HEX NUT	4

TOOL BOX



9/16 Socket Wrench



9/16 Open Wrench



#2 Phillips Screw Driver



Hammer

