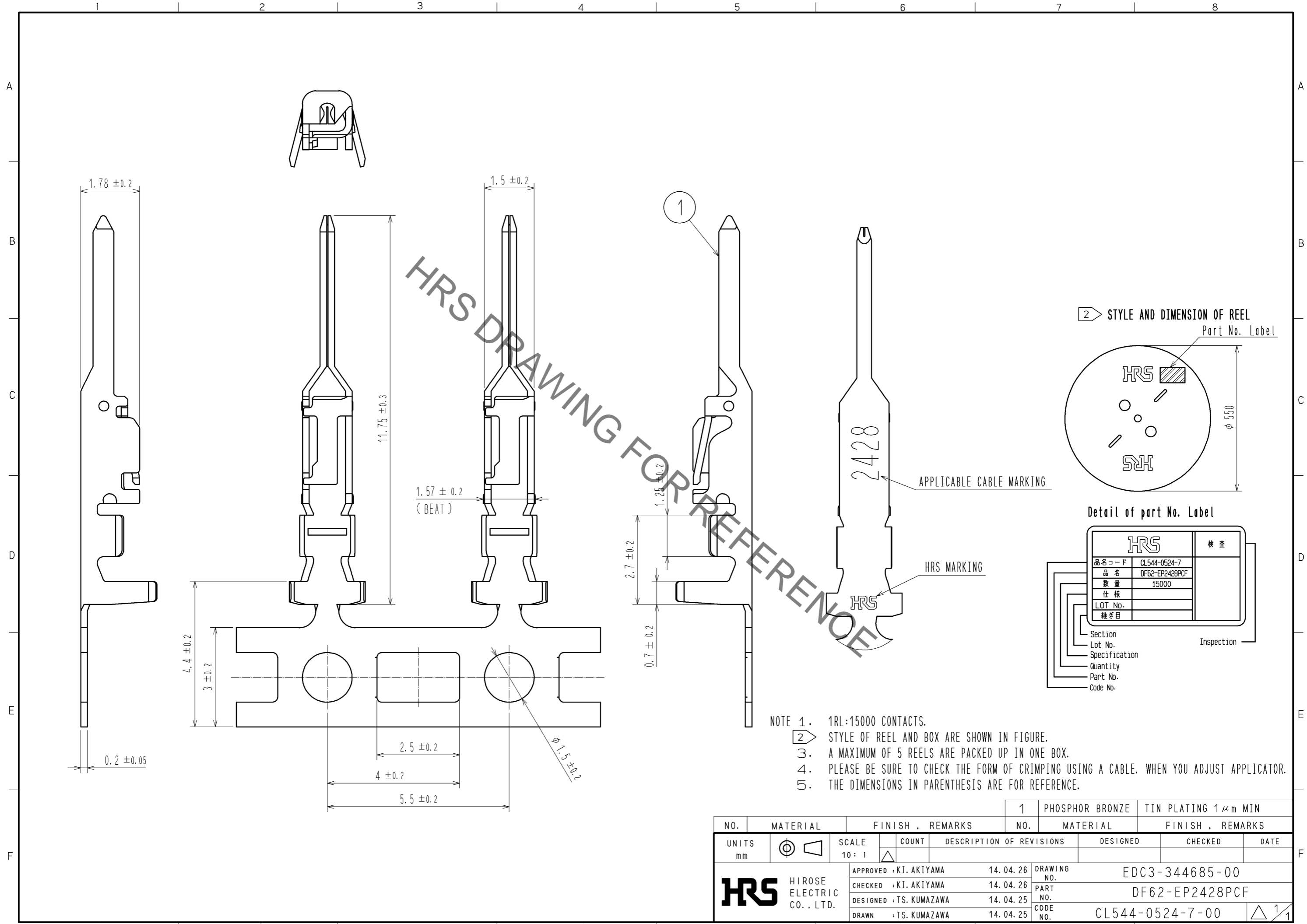


May.1.2023 Copyright 2023 HIROSE ELECTRIC CO., LTD. All Rights Reserved.
In case of consideration for using Automotive equipment / device which demand high reliability, kindly contact our sales window correspondents.



- NOTE 1. 1RL:15000 CONTACTS.
 2. STYLE OF REEL AND BOX ARE SHOWN IN FIGURE.
 3. A MAXIMUM OF 5 REELS ARE PACKED UP IN ONE BOX.
 4. PLEASE BE SURE TO CHECK THE FORM OF CRIMPING USING A CABLE. WHEN YOU ADJUST APPLICATOR.
 5. THE DIMENSIONS IN PARENTHESIS ARE FOR REFERENCE.

NO.	MATERIAL	FINISH	REMARKS	NO.	MATERIAL	FINISH	REMARKS
				1	PHOSPHOR BRONZE	TIN PLATING	1 μm MIN
UNITS	SCALE	COUNT	DESCRIPTION OF REVISIONS	DESIGNED	CHECKED	DATE	
mm	10:1	△					
APPROVED : KI. AKIYAMA			14.04.26	DRAWING NO.			EDC3-344685-00
CHECKED : KI. AKIYAMA			14.04.26	PART NO.			DF62-EP2428PCF
DESIGNED : TS. KUMAZAWA			14.04.25	CODE NO.			CL544-0524-7-00
DRAWN : TS. KUMAZAWA			14.04.25				△ 1/1