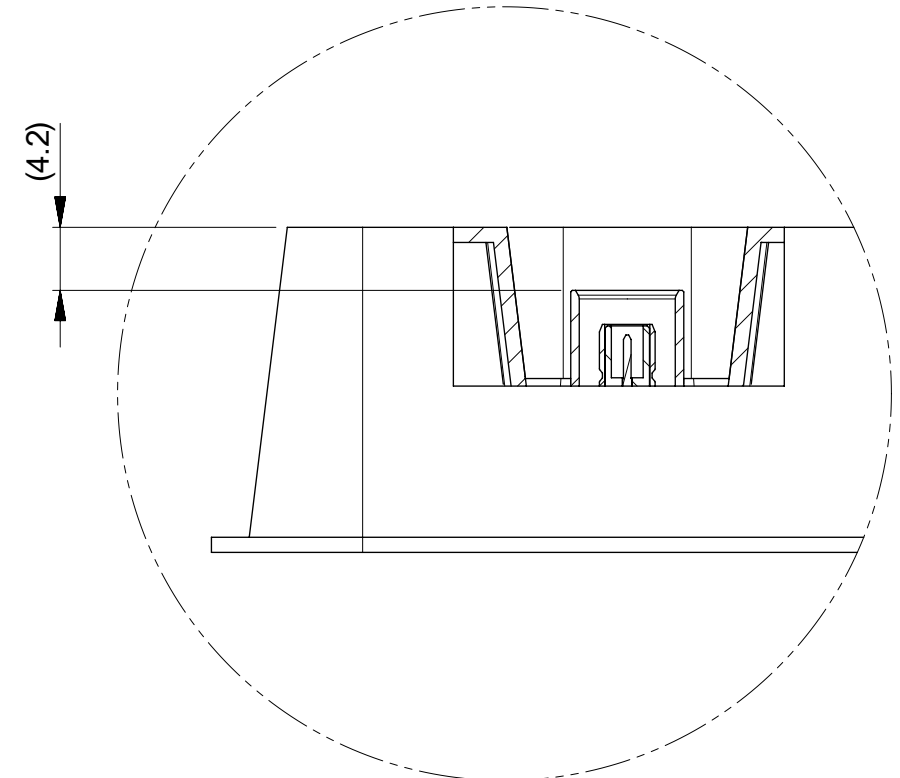


DETAIL C
SCALE 2:1



DETAIL F
SCALE 2:1

NOTES:

1. 一般公差 : ±0.5
GENERAL TOLERANCE: ±0.5
2. 反り・ねじれを含む全高は23.5 MAX.とする。
TOTAL HEIGHT INCLUDING WARP, TWIST SHALL BE 23.5 MAX.
3. 材料 : ポリスチレンシート 透明 t=1.0
MATERIAL : POLYSTYRENE SHEET TRANSPARENCY t=1.0
4. 梱包数 : 120個
PACKAGING QUANTITY: 120pcs.

N	PASTEL GREEN	N/A
M	PASTEL ORANGE	2011260113
L	CARMINE RED	N/A
Z	WATER BLUE	2011260111
K	CURRY YELLOW	2011260110
I	BEIGE	2011260109
H	VIOLET	2011260108
G	GRAY	N/A
F	BROWN	2011260106
E	GREEN	2011260105
D	BORDEAUX VIOLET	2011260104
C	BLUE	2011260103
B	CREAM WHITE	2011260102
A	BLACK	2011260101
KEYING CODE	COLOR	TRAY PACKAGE
		オーダー番号 ORDER NO.

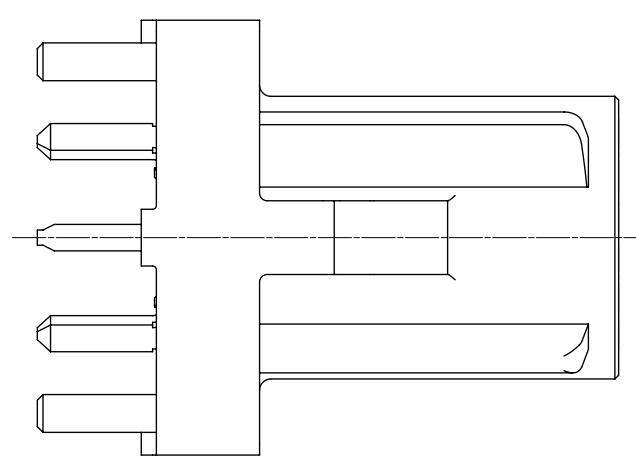
THIS DRAWING CONTAINS INFORMATION THAT IS PROPRIETARY TO MOLEX ELECTRONIC TECHNOLOGIES, LLC AND SHOULD NOT BE USED WITHOUT WRITTEN PERMISSION

DIMENSION UNITS	SCALE	CURRENT REV DESC:			
mm	1:2				
GENERAL TOLERANCES (UNLESS SPECIFIED)		EC NO: 601011			
ANGULAR TOL ± 3.0°		DRWN: MYOSHIDA		2018/07/04	
4 PLACES ± 0.2		CHK'D: YMIKI01		2018/10/01	
3 PLACES ± 0.2		APPR: TOSADA		2018/10/02	
2 PLACES ± 0.2		INITIAL REVISION:			
1 PLACE ± 0.25		DRWN: YTOKUZONO		2017/05/15	
0 PLACES ± 0.3		APPR: MSASAO		2017/05/19	
DRAFT WHERE APPLICABLE MUST REMAIN WITHIN DIMENSIONS		THIRD ANGLE PROJECTION	DRAWING	SERIES	DOCUMENT NUMBER
			A2-SIZE	201126	2011260100
		MATERIAL NUMBER	CUSTOMER	DOC TYPE	DOC PART
		SEE CHART	GENERAL	PSD	000
		SHEET NUMBER		REVISION	
		1 OF 1		A1	

molex

FAKRA JACK VERTICAL TRAY PKG

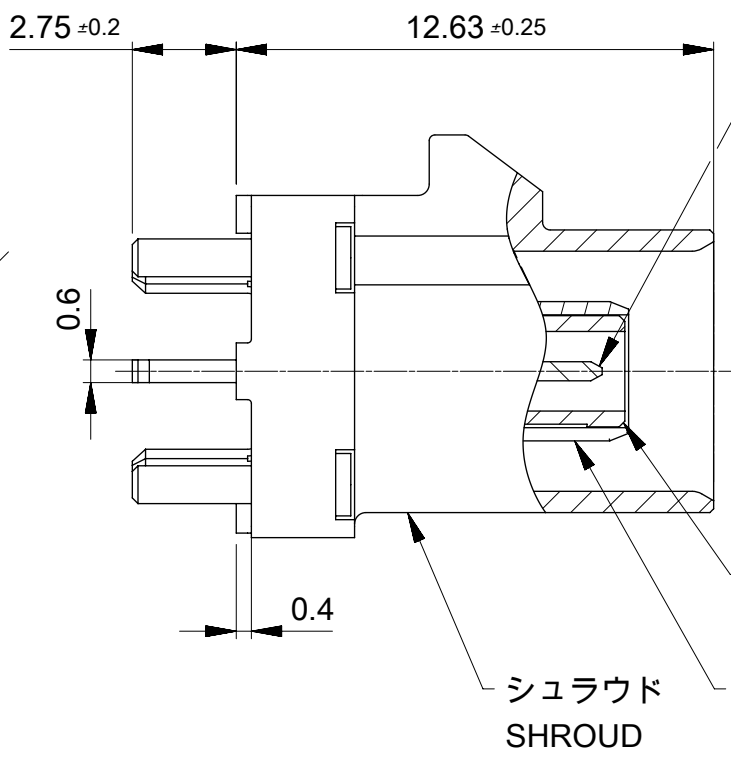
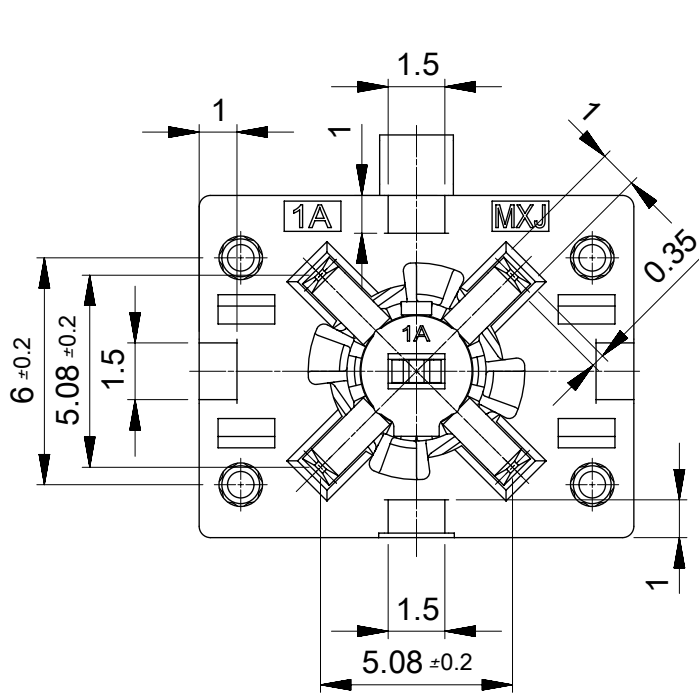
PRODUCT CUSTOMER DRAWING



注記 NOTE

1. 使用材料 MATERIAL
 センターコンタクト : 黄銅
 CENTER CONTACT : BRASS
 インシュレーター : 液晶ポリマー ガラス充填、UL94V-0(黒色)
 INSULATOR : LIQUID CRYSTAL POLYMER GLASS FILLED, UL94V-0(BLACK)
 アウターコンタクト : リン青銅
 OUTER CONTACT : PHOSPHOR BRONZE
 シュラウド : ポリアミド (色はSHEET3参照)
 SHROUD : POLYAMIDE GLASS FILLED (COLOR:SEE SHEET 3)
 ピン : 黄銅
 PIN : BRASS

2. メッキ仕様 PLATING
 センターコンタクト CENTER CONTACT
 接点部 : 部分金メッキ(0.05μm以上)
 半田付け部 : 錫メッキ
 下地メッキ : ニッケルメッキ
 CONTACT AREA:SEPARATED GOLD PLATING (0.05 MICROMETER MINIMUM)
 SOLDER AREA:TIN
 UNDER-PLATING:NICKEL
 アウターコンタクト OUTER CONTACT
 接点部 : ニッケルメッキ
 半田付け部 : 錫メッキ
 下地メッキ : ニッケルメッキ
 CONTACT AREA:NICKEL
 SOLDER AREA:TIN
 UNDER-PLATING:NICKEL
 ピン PIN
 半田付け部 : 錫メッキ
 下地メッキ : ニッケルメッキ
 SOLDER AREA:TIN
 UNDER-PLATING:NICKEL



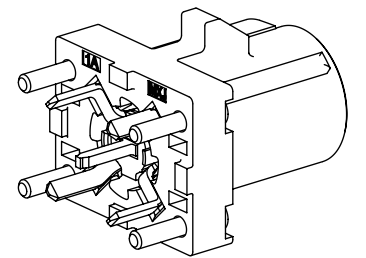
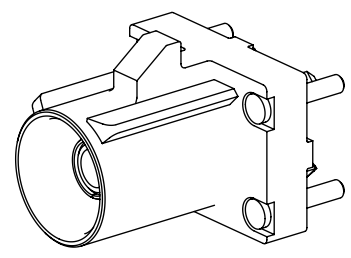
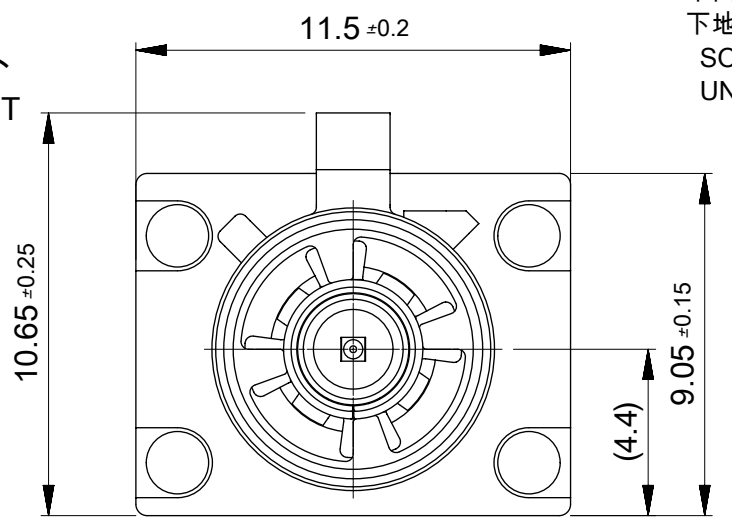
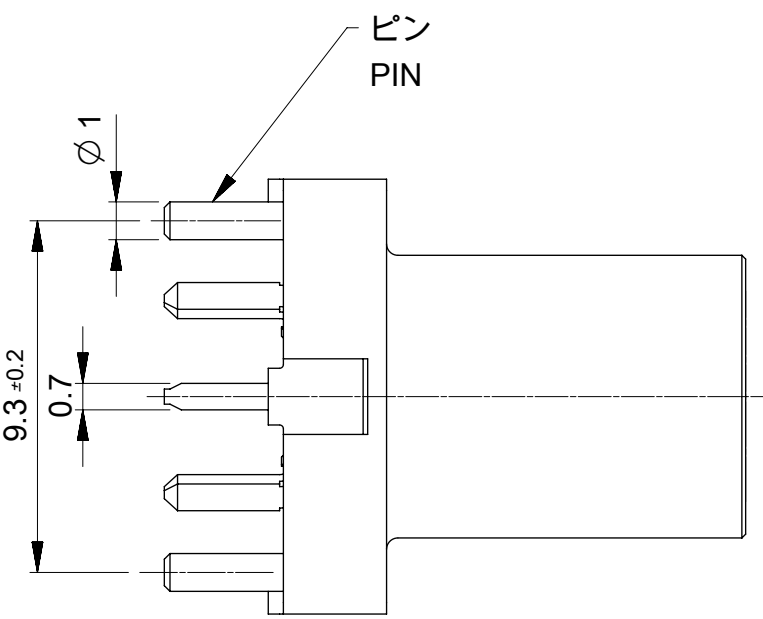
センターコンタクト
CENTER CONTACT

インシュレーター
INSULATOR

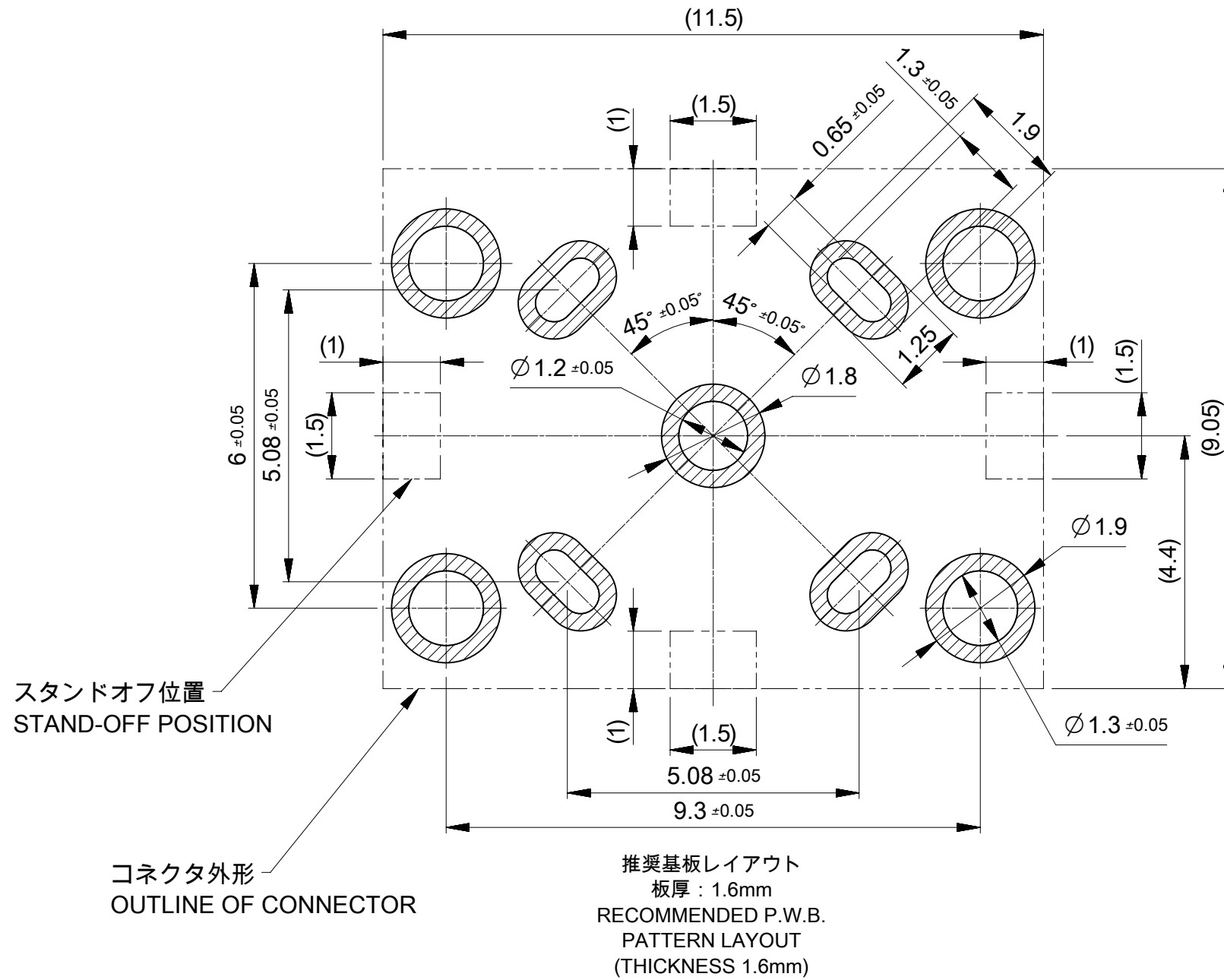
シュラウド
SHROUD

アウターコンタクト
OUTER CONTACT

ピン
PIN



THIS DRAWING CONTAINS INFORMATION THAT IS PROPRIETARY TO MOLEX ELECTRONIC TECHNOLOGIES, LLC AND SHOULD NOT BE USED WITHOUT WRITTEN PERMISSION											
DIMENSION UNITS		SCALE		CURRENT REV DESC: PROPOSED							
mm		5:1									
GENERAL TOLERANCES (UNLESS SPECIFIED)											
ANGULAR TOL ± 3.0 °				EC NO: 601011 DRWN: YMIK101 2017/04/03 CHK'D: YMIK101 2018/10/01 APPR: TOSADA 2018/10/02							
4 PLACES ± 0.1											
3 PLACES ± 0.1				INITIAL REVISION: DRWN: YMIK101 2017/04/03 APPR: TOSADA 2018/10/02							
2 PLACES ± 0.1											
1 PLACE ± 0.1				DOCUMENT NUMBER		DOC TYPE		DOC PART		REVISION	
0 PLACES ± 0.2				2011261100		PSD		000		A	
DRAFT WHERE APPLICABLE MUST REMAIN WITHIN DIMENSIONS				THIRD ANGLE PROJECTION		DRAWING		SERIES		MATERIAL NUMBER	
						A3-SIZE		201126		SEE CHART	
						GENERAL				SHEET NUMBER	
										1 OF 3	



THIS DRAWING CONTAINS INFORMATION THAT IS PROPRIETARY TO MOLEX ELECTRONIC TECHNOLOGIES, LLC AND SHOULD NOT BE USED WITHOUT WRITTEN PERMISSION									
DIMENSION UNITS		SCALE		CURRENT REV DESC: PROPOSED				molex	
mm		1:1							
GENERAL TOLERANCES (UNLESS SPECIFIED)									
ANGULAR TOL		± 3.0°		EC NO: 601011					
4 PLACES		± 0.1		DRWN: YMIKI01		2017/04/03			
3 PLACES		± 0.1		CHK'D: YMIKI01		2018/10/01			
2 PLACES		± 0.1		APPR: TOSADA		2018/10/02			
1 PLACE		± 0.1		INITIAL REVISION:					
0 PLACES		± 0.2		DRWN: YMIKI01		2017/04/03			
				APPR: TOSADA		2018/10/02			
DRAFT WHERE APPLICABLE MUST REMAIN WITHIN DIMENSIONS		THIRD ANGLE PROJECTION		DRAWING		SERIES		MATERIAL NUMBER	
				A3-SIZE		201126		SEE CHART	
				CUSTOMER		GENERAL		SHEET NUMBER	
								2 OF 3	

DOCUMENT NUMBER			DOC TYPE	DOC PART	REVISION
2011261100			PSD	000	A

