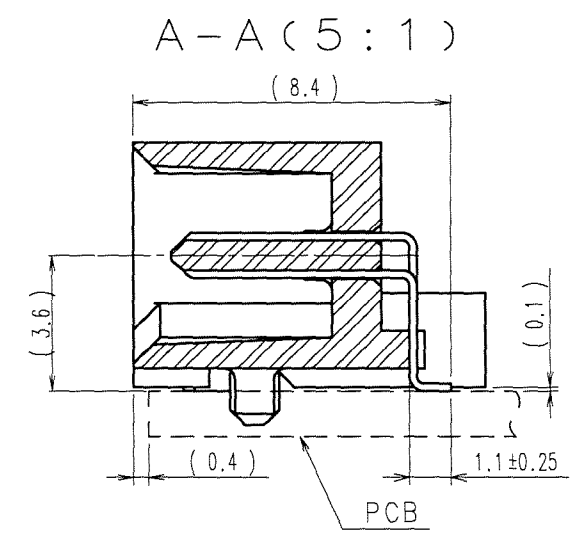
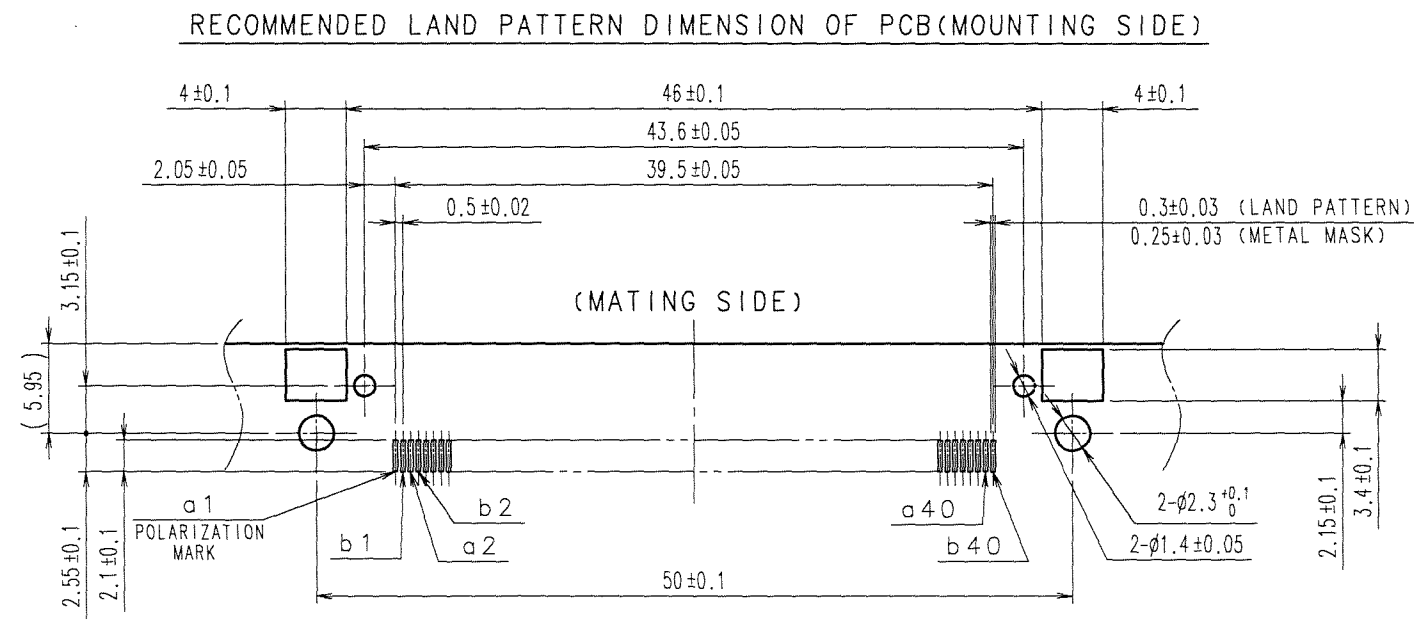
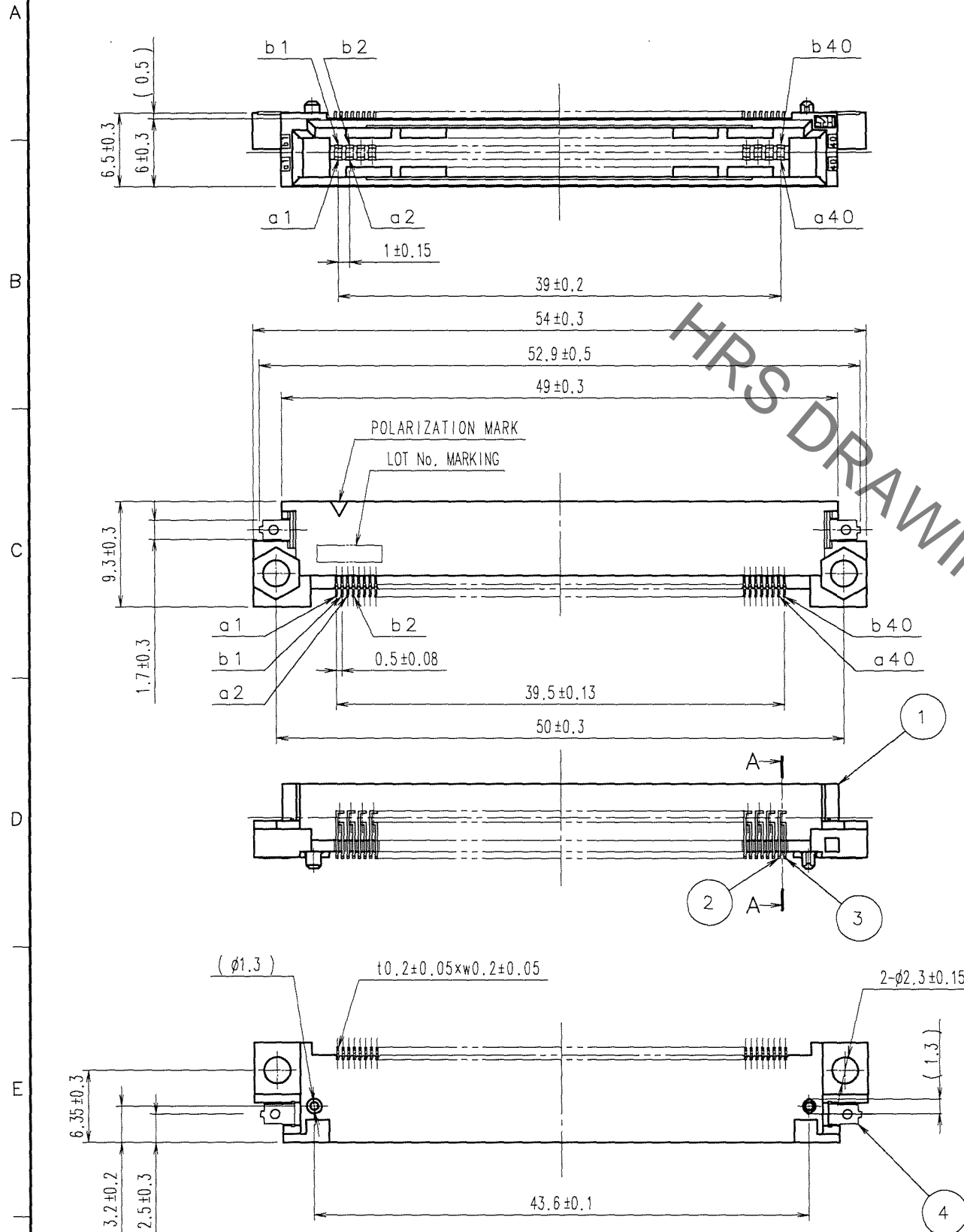


May.1.2023 Copyright 2023 HIROSE ELECTRIC CO., LTD. All Rights Reserved.  
In case of consideration for using Automotive equipment / device which demand high reliability, kindly contact our sales window correspondents.

COUNT	DESCRIPTION OF REVISIONS	BY	CHKD	DATE	COUNT	DESCRIPTION OF REVISIONS	BY	CHKD	DATE
△					△				
△					△				
△					△				



TO

NOTES 1. LEAD CO-PLANARITY INCLUDING REINFORCED METAL FITTINGS TO BE 0.1 MAX.  
2. NOTE THAT THE REFERENCE TIGHTENING TORQUE IS 0.15 N·m.  
3. THE DIMENSIONS IN PARENTHESES ARE FOR REFERENCE.

4	BRASS	TIN-PLATING	2, 3	BRASS	CONTACT AREA: GOLD 0.1μm min.
1	POLYAMIDE	BEIGE UL94V-0			LEAD AREA: TIN-PLATING 1μm min.
					UNDER PLATING: NICKEL 1μm min.
NO.	MATERIAL	FINISH, REMARKS	NO.	MATERIAL	FINISH, REMARKS
CODE NO. (OLD) CL		DRAWN K. Doi 07-02-20	DESIGNED K. Doi 07-02-20	CHECKED K. Ogawa 07-02-20	APPROVED H. Okawa 07-02-20
SCALE 2 : 1		DRAWING NO. EDC3-151514-21		PART NO. (PROVISIONAL NAME) FX5-80P-SH(71)	
UNITS mm		HRS HIROSE ELECTRIC CO., LTD.		CODE NO. CL575-0009-9-71	1/1