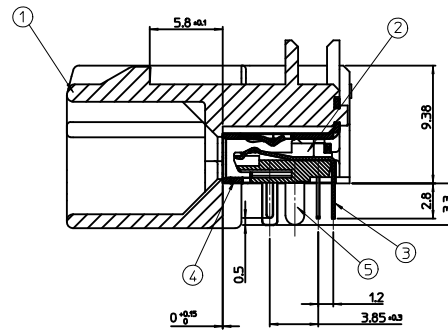
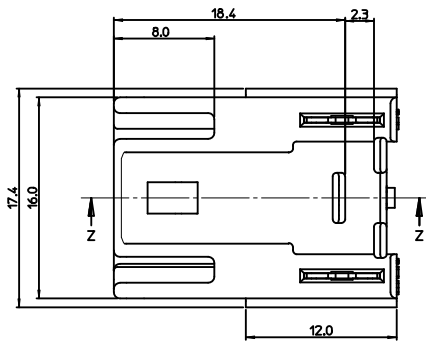
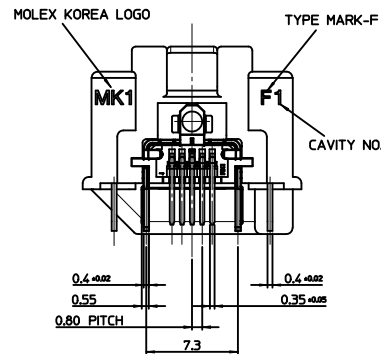
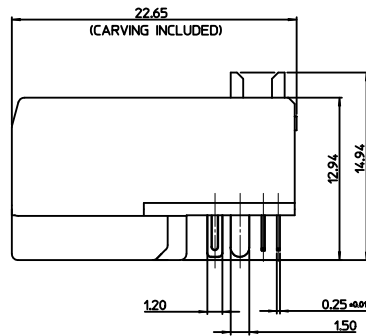
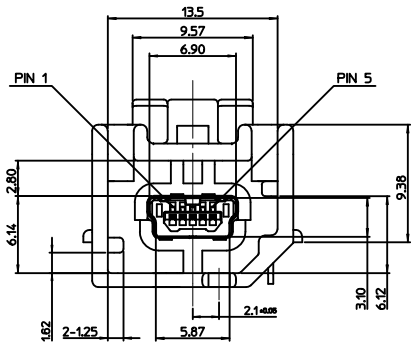
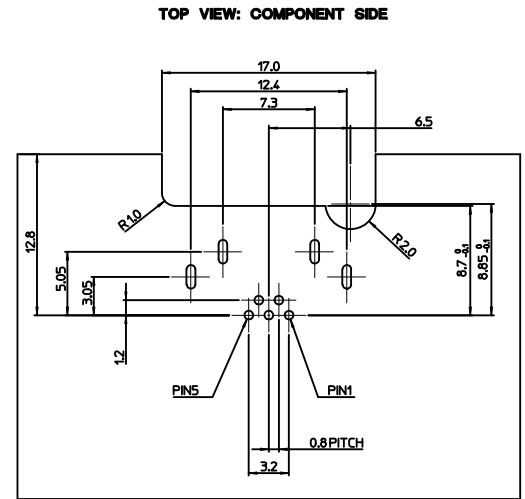


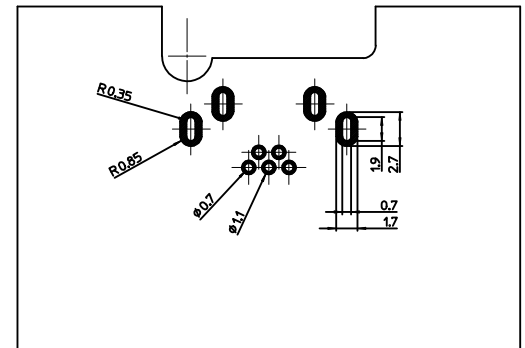
ISOVIEW



SECTION Z-Z



BOTTOM VIEW: SOLDER SIDE



RECOMMENDED PCB LAYOUT

NOTES

- MATES WITH :  
(MOLEX SERIES NO. : 111014, 111015, 111005, 111041, 111019, 111020)
- SHROUD GEOMETRY AND ASSEMBLY WITH USB MINI-B CONNECTOR ARE ACCORDING TO USCAR STD 999-U-USB-Z01
- FINISHES :  
- TERMINAL :  
CONTACT AREA : GOLD 0.75μm MIN.  
SOLDER TAIL AREA : TIN 3.8μm MIN.  
UNDER PLATING : NI 1.25μm MIN.  
- SHIELD CASE :  
3.0μm MIN. TIN OVER NI 1.0μm MIN.  
- FITTING NAIL :  
3.0μm MIN. TIN OVER NI 1.0μm MIN.
- UNLESS OTHERWISE SPECIFIED, TYPICAL RECOMMENDED PCB MANUFACTURING TOLERANCE IS ±0.05
- PCB THICKNESS : 1.6mm(REFERENCE)

<PART LIST>

NO.	PART NAME	MATERIALS
①	SHROUD	SPS, GLASS FILLED, UL94 HB
②	REC. HOUSING	LCP, GLASS FILLED, UL94 V-0
③	TERMINAL	COPPER ALLOY
④	SHIELD CASE	PHOSPHOR BRONZE
⑤	FITTING NAIL	BRASS

<TABLE 1>

MATERIAL NO.	ORDER NO.	COLOR
1040870728	104087-0728	WHITE

<b>NEW RELEASE</b> EC NO: KTR2012-0035 DRAWN BY: DPMW/IM00N CHKD: CHIKD APPR: JHBAE DATE: 2012/05/04	QUALITY SYMBOLS	GENERAL TOLERANCES (UNLESS SPECIFIED)	DIMENSION STYLE	SCALE	DESIGN UNITS	THIRD ANGLE PROJECTION
	▽=0	m/m INCH	MM ONLY	5:1	METRIC	
	▽=0	4 PLACES ± --- ± --- 3 PLACES ± --- ± --- 2 PLACES ± 0.15 ± --- 1 PLACE ± 0.25 ± --- ANGULAR ± 3°	DRAWN BY: BCY00N CHECKED BY: BCY00N APPROVED BY: JHBAE DATE: 2010/01/20 DATE: 2012/05/04	TITLE	HSAUTOLINK R/A HEADER TYPE OPTION F	
	DRAFT WHERE APPLICABLE MUST REMAIN WITHIN DIMENSIONS	SEE TABLE 1	MATERIAL NO. DOCUMENT NO.	MOLEX INCORPORATED		SHEET NO. 1 OF 1