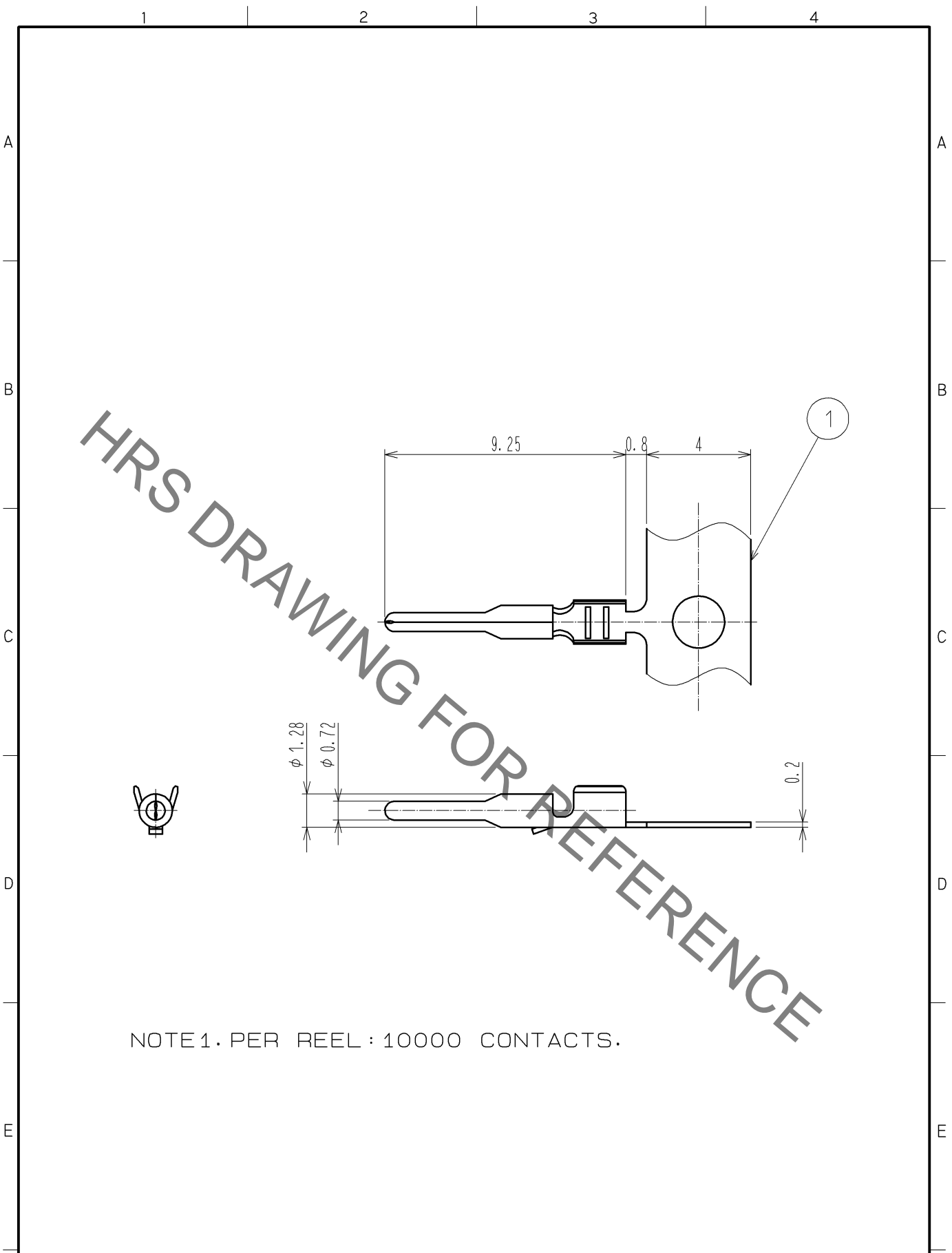


May.1.2023 Copyright 2023 HIROSE ELECTRIC CO., LTD. All Rights Reserved.
 In case of consideration for using Automotive equipment / device which demand high reliability, kindly contact our sales window correspondents.



NOTE1. PER REEL : 10000 CONTACTS.

| 1 | BRASS | TIN PLATED | | | | | | |
|--|--------------------------|----------------|----------------|--------------------------|----------|----------|---------|------|
| NO. | MATERIAL | FINISH . | REMARKS | NO. | MATERIAL | FINISH . | REMARKS | |
| UNITS mm | | SCALE 5 : 1 | COUNT | DESCRIPTION OF REVISIONS | | DESIGNED | CHECKED | DATE |
| HRS HIROSE ELECTRIC CO., LTD. | APPROVED : AR. SHIRAI | 12. 04. 09 | DRAWING NO. | EDC4-165797-01 | | | | |
| | CHECKED : MO. OKADA | 12. 04. 06 | PART NO. | GT16-2428PCF | | | | |
| | DESIGNED : MH. YAMAGUCHI | 12. 04. 06 | CODE NO. | CL766-0006-6-00 | | | | |
| | DRAWN : KT. OKABE | 12. 04. 06 | | 1/1 | | | | |