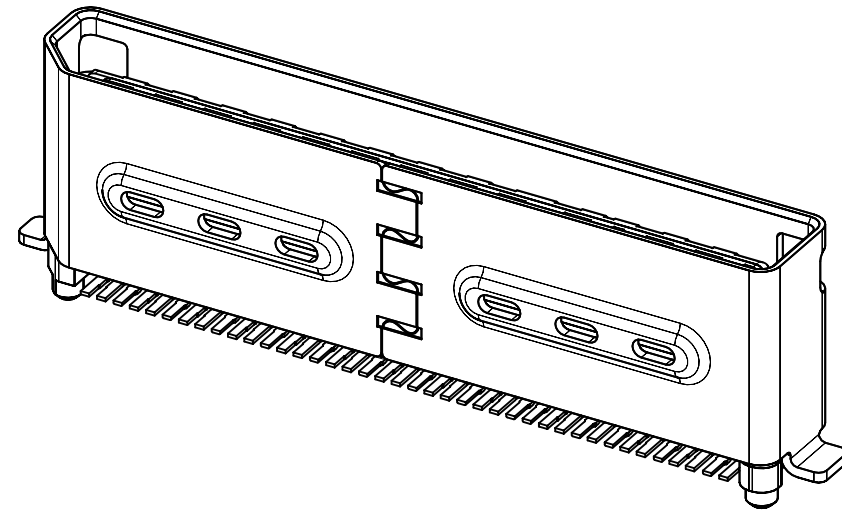
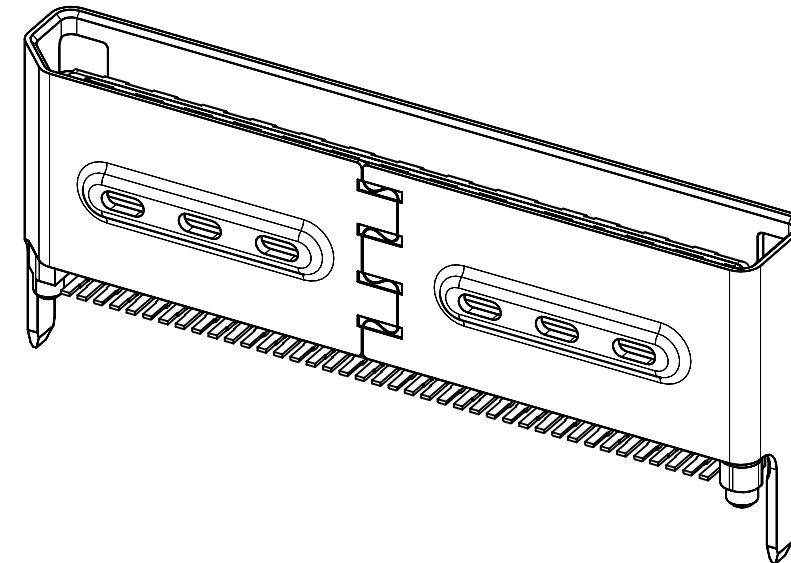


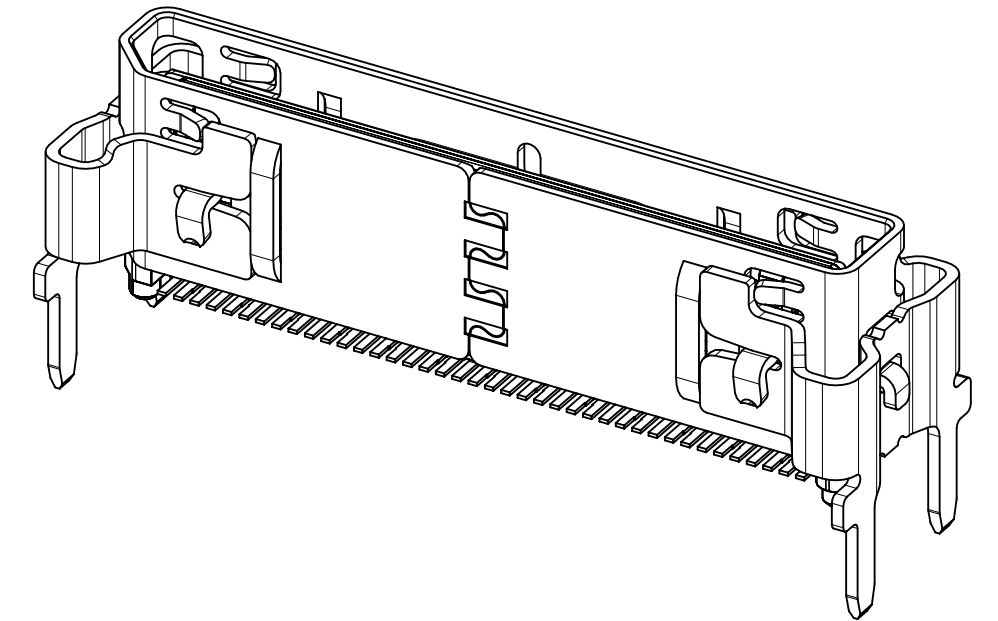
STATUS	MATERIAL NUMBER	GND TERMINAL OPTION	PICK AND PLACE CAP COLOR	DIM 'T'
TOOLED	173162-0331	SMT	N/A	N/A
TOOLED	173162-0332	TAIL	N/A	3.00
TOOLED	173162-0333	SMT	BLACK	N/A
TOOLED	173162-0334	TAIL	BLACK	3.00
NOT TOOLED	173162-0335	TAIL	BLACK	2.36
NOT TOOLED	173162-0336	TAIL	BLACK	1.57
TOOLED	173162-0337	XD	N/A	3.00
	173162-0338		BLACK	
TOOLED	173162-0339	XD	BLACK	2.36
TOOLED	173162-0340	XD	BLACK	1.57



80 CIRCUIT SMT



80 CIRCUIT TAIL



80 CIRCUIT XD

NOTES:

1. MATERIALS:

HOUSING - GLASS FILLED THERMOPLASTIC, 94V-0
 CONTACTS - HIGH PERFORMANCE COPPER ALLOY
 SHIELD - STAINLESS STEEL

2. FINISH:

CONTACTS - 0.76µm MIN. GOLD MATING SIDE
 0.05µm GOLD FLASH ON SOLDER TAILS
 1.27µm MIN. NICKEL UNDERPLATE OVERALL

SMT/TH SHIELD - MATTE TIN OVER 1.27µm MIN. NICKEL
 XD SHIELD - MATT TIN ON SOLDER LEGS ONLY

3. PRODUCT SPECIFICATION: PS-173162-0001

4. PACKAGING SPECIFICATION: PK-173307-0001

5. MATES WITH: MOLEX CABLE SERIES 200226 OR 200227
 PER INDUSTRY STANDARD PCIe OCuLink 1.0, SFF-8611

6. APPLICATION SPECIFICATION: AS-173162-0001

7. COSMETIC SPECIFICATION: PS-45499-002, CLASS B

8. DATE CODE TO BE LOCATED APPROXIMATELY AS SHOWN, DATE CODE
 TO SHOW THE DATE AND YEAR OF ASSEMBLY (DDYY OR YYDD)

FUNCTIONAL SYMBOLS	THIS DRAWING CONTAINS INFORMATION THAT IS PROPRIETARY TO MOLEX ELECTRONIC TECHNOLOGIES, LLC AND SHOULD NOT BE USED WITHOUT WRITTEN PERMISSION			
	DIMENSION UNITS	SCALE		CURRENT REV DESC:
$\frac{F}{A} = 0$	mm	5:1		EC NO: 672997 DRWN: RCHEN55 2021/01/12 CHK'D: JKACHLIC 2021/08/30 APPR: JKACHLIC 2021/08/30
$\frac{F}{C} = 0$	GENERAL TOLERANCES (UNLESS SPECIFIED)			
$\frac{F}{P} = 0$		MM	INCH	
DIVISIONAL SYMBOLS	4 PLACES	±	±	INITIAL REVISION: DRWN: BJANOWIAK 2015/05/11 APPR: BJANOWIAK 2015/06/15
	3 PLACES	±	±	
	2 PLACES	± 0.13	±	
	1 PLACE	± 0.25	±	
	0 PLACES	±	±	DRWN: BJANOWIAK 2015/06/15
	ANGULAR TOL	± 0.5 °		THIRD ANGLE PROJECTION
	DRAFT WHERE APPLICABLE MUST REMAIN WITHIN DIMENSIONS			DRAWING SERIES
				C-SIZE 173162
DOCUMENT STATUS	P1	RELEASE DATE	2021/08/30 09:41:23	

molex

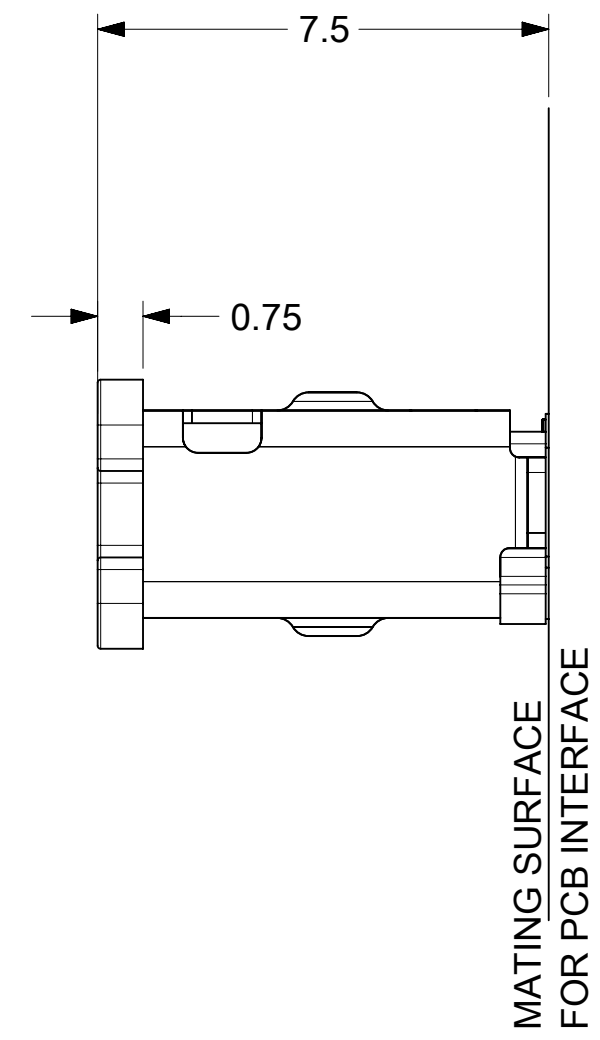
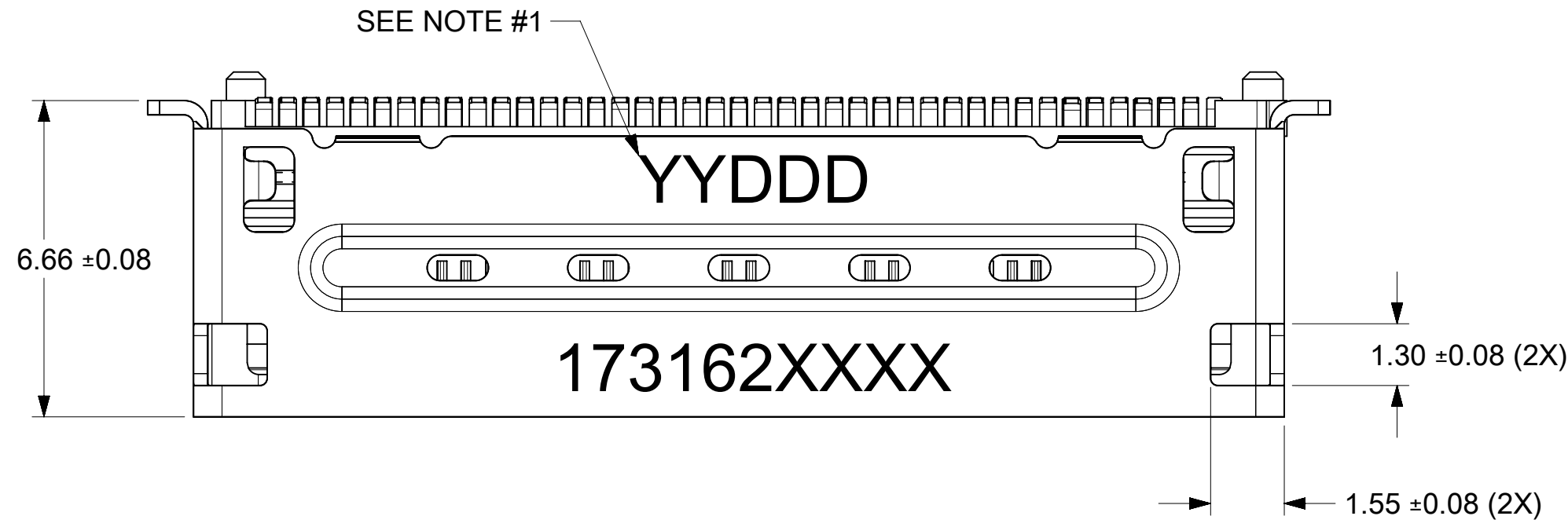
NANO PITCH I/O FIXED 25G
 VERTICAL 8X

PRODUCT CUSTOMER DRAWING

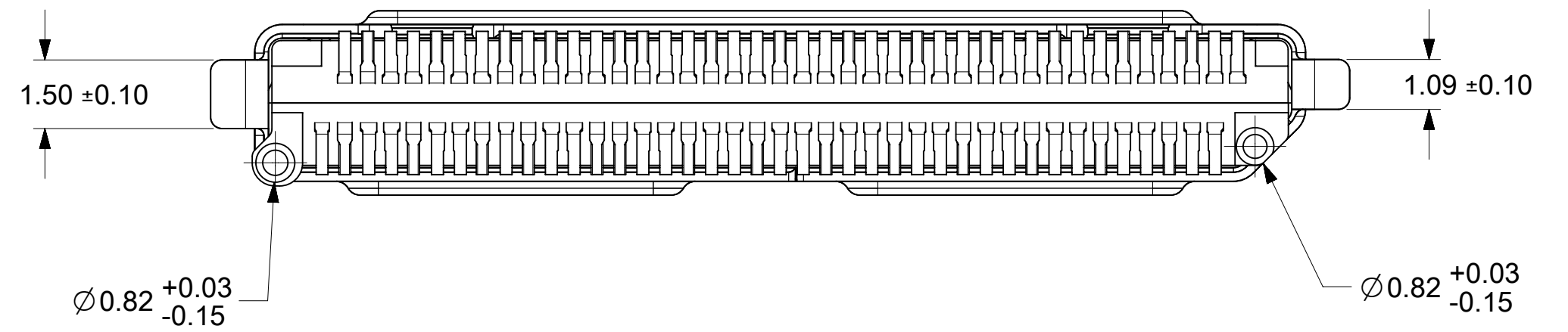
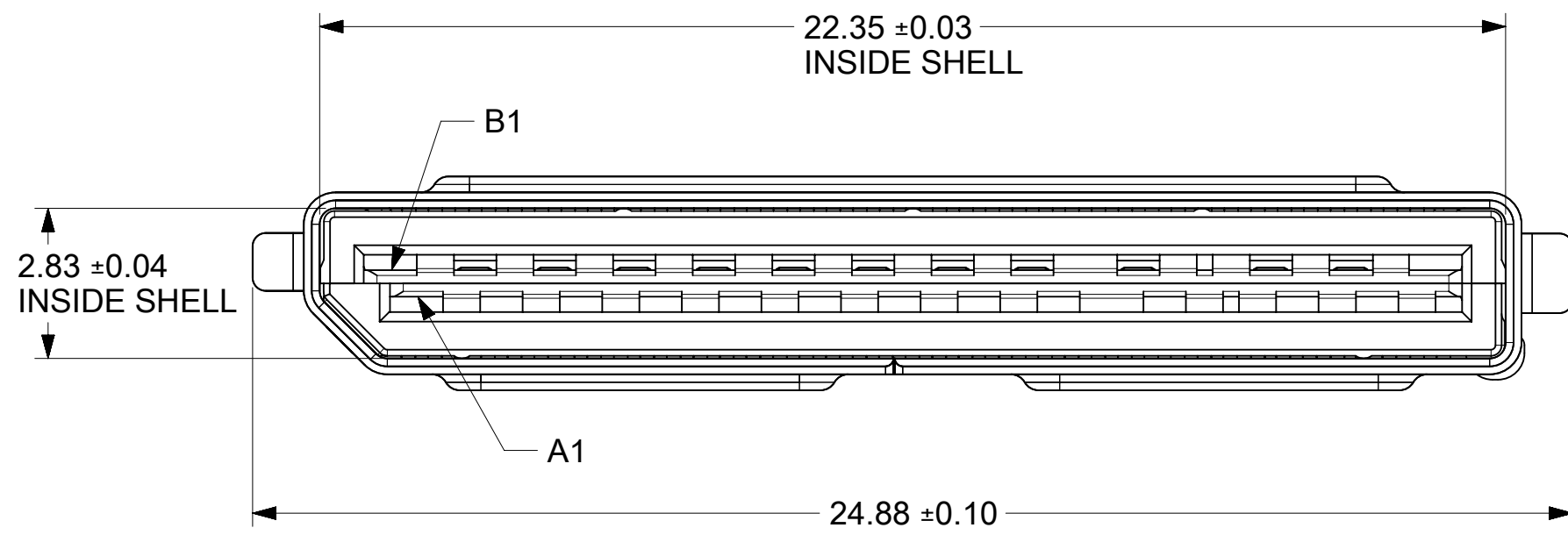
DOCUMENT NUMBER	DOC TYPE	DOC PART	REVISION
SD-173162-0002	PSD	001	E2

MATERIAL NUMBER	CUSTOMER	SHEET NUMBER
SEE SHEET 1	GENERAL MARKET	1 OF 8

8X SMT ASSEMBLY



WITH CAP



NOTES:

1. MANUFACTURED DATE CODE (JULIAN CALENDAR)

YYDDD

DAY OF THE YEAR

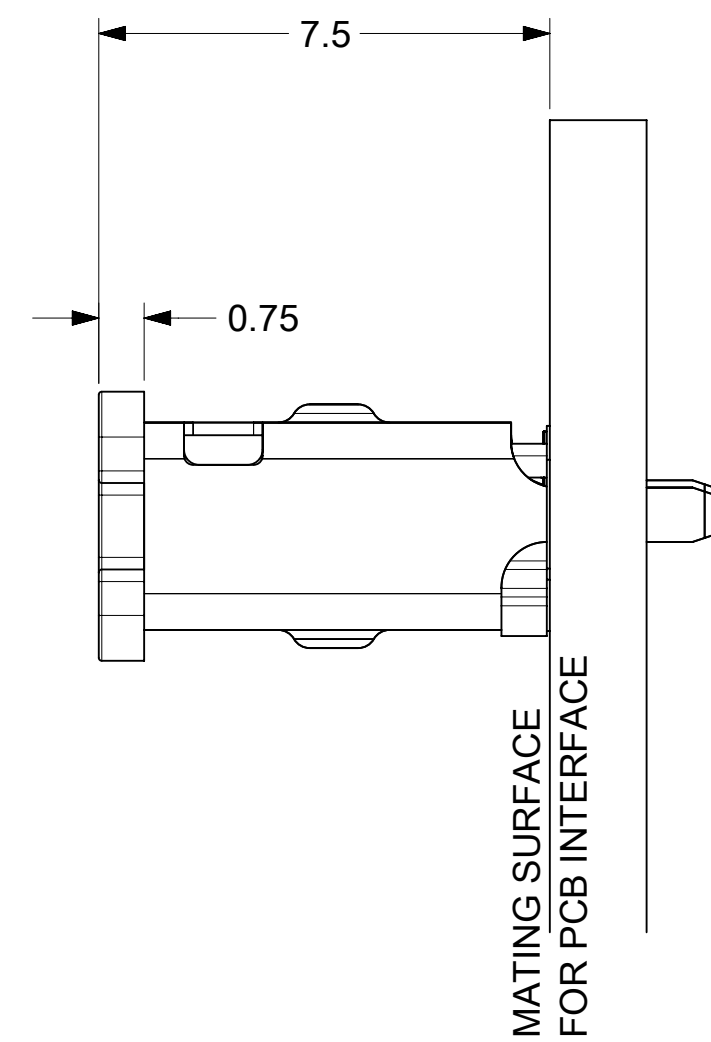
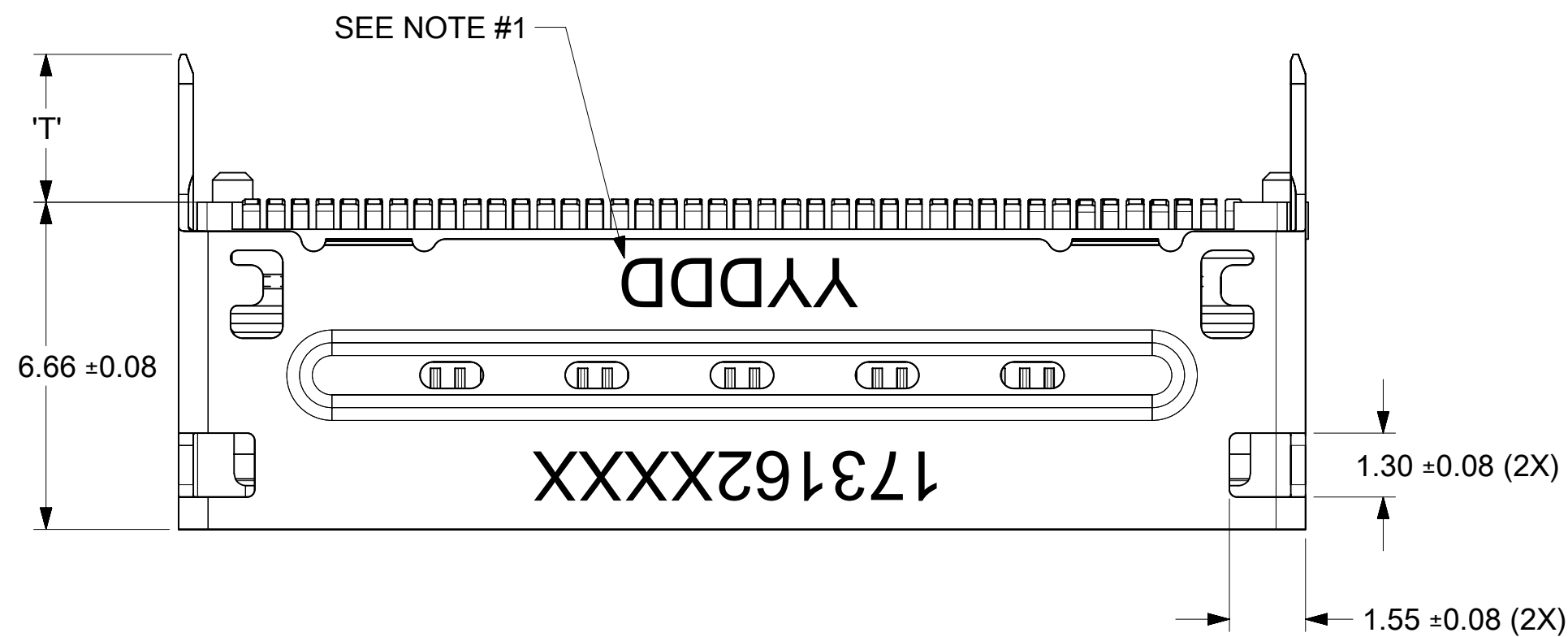
LAST TWO DIGITS OF THE YEAR

2. SOLDER TAIL COPLANARITY 0.10 MAX

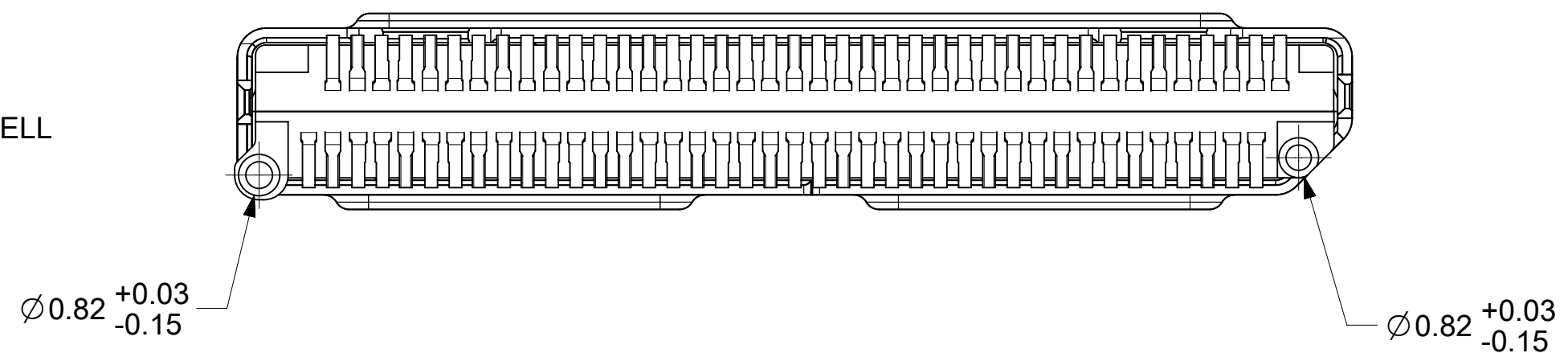
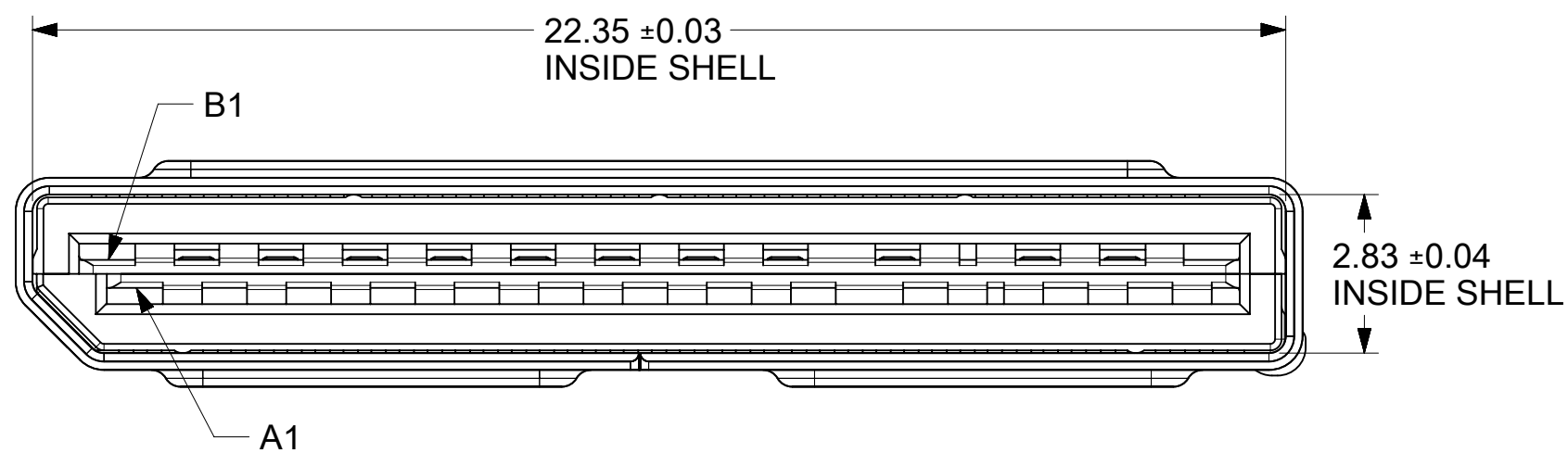
FUNCTIONAL SYMBOLS	THIS DRAWING CONTAINS INFORMATION THAT IS PROPRIETARY TO MOLEX ELECTRONIC TECHNOLOGIES, LLC AND SHOULD NOT BE USED WITHOUT WRITTEN PERMISSION												
	DIMENSION UNITS		SCALE		CURRENT REV DESC:								
	mm		8:1		EC NO: 672997								
	= 0				DRWN: RCHEN55 2021/01/12								
DIVISIONAL SYMBOLS	GENERAL TOLERANCES (UNLESS SPECIFIED)												
					CHK'D: JKACHLIC 2021/08/30					PRODUCT CUSTOMER DRAWING			
	4 PLACES		±		APPR: JKACHLIC 2021/08/30								
	= 0				INITIAL REVISION:								
= 0				DRWN: BJANOWIAK 2015/05/11					DOCUMENT NUMBER		DOC TYPE	DOC PART	REVISION
= 0				APPR: MBANAKIS 2015/09/18					SD-173162-0002		PSD	001	E2
DRAFT WHERE APPLICABLE MUST REMAIN WITHIN DIMENSIONS		THIRD ANGLE PROJECTION		DRAWING		SERIES		MATERIAL NUMBER		CUSTOMER		SHEET NUMBER	
				C-SIZE		173162		SEE SHEET 1		GENERAL MARKET		2 OF 8	

DOCUMENT STATUS	P1	RELEASE DATE	2021/08/30	09:41:23
-----------------	----	--------------	------------	----------

8X SOLDER TAIL ASSEMBLY



WITH CAP



NOTES:

1. MANUFACTURED DATE CODE (JULIAN CALENDAR)

YYDDD

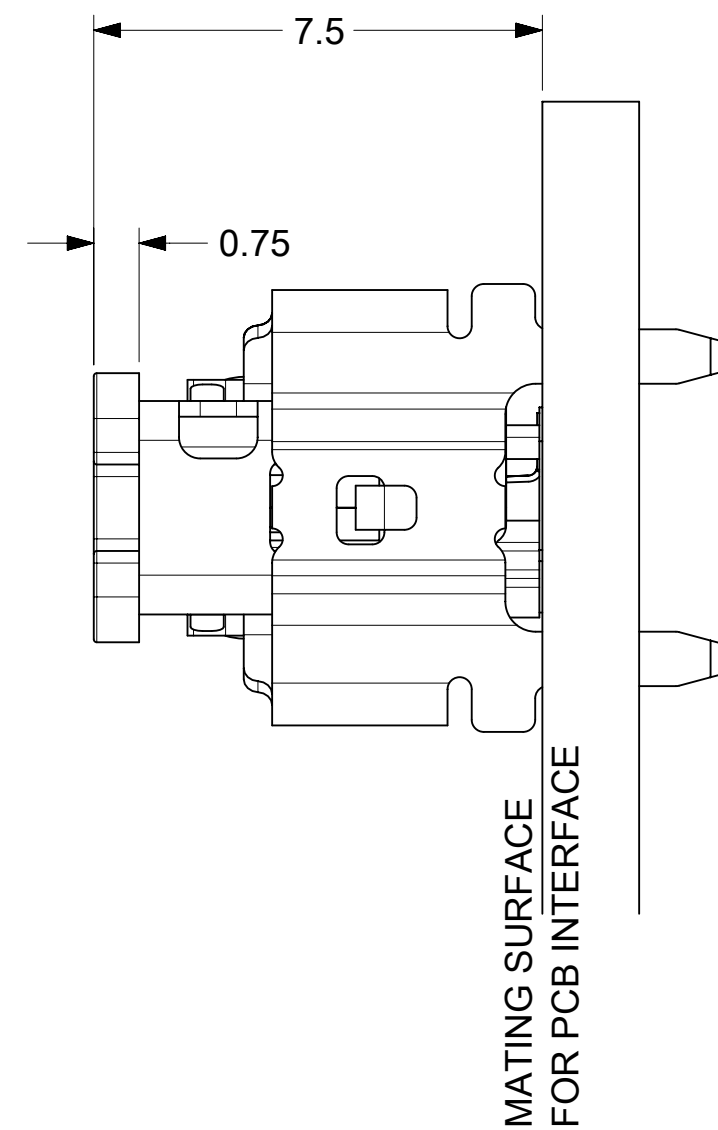
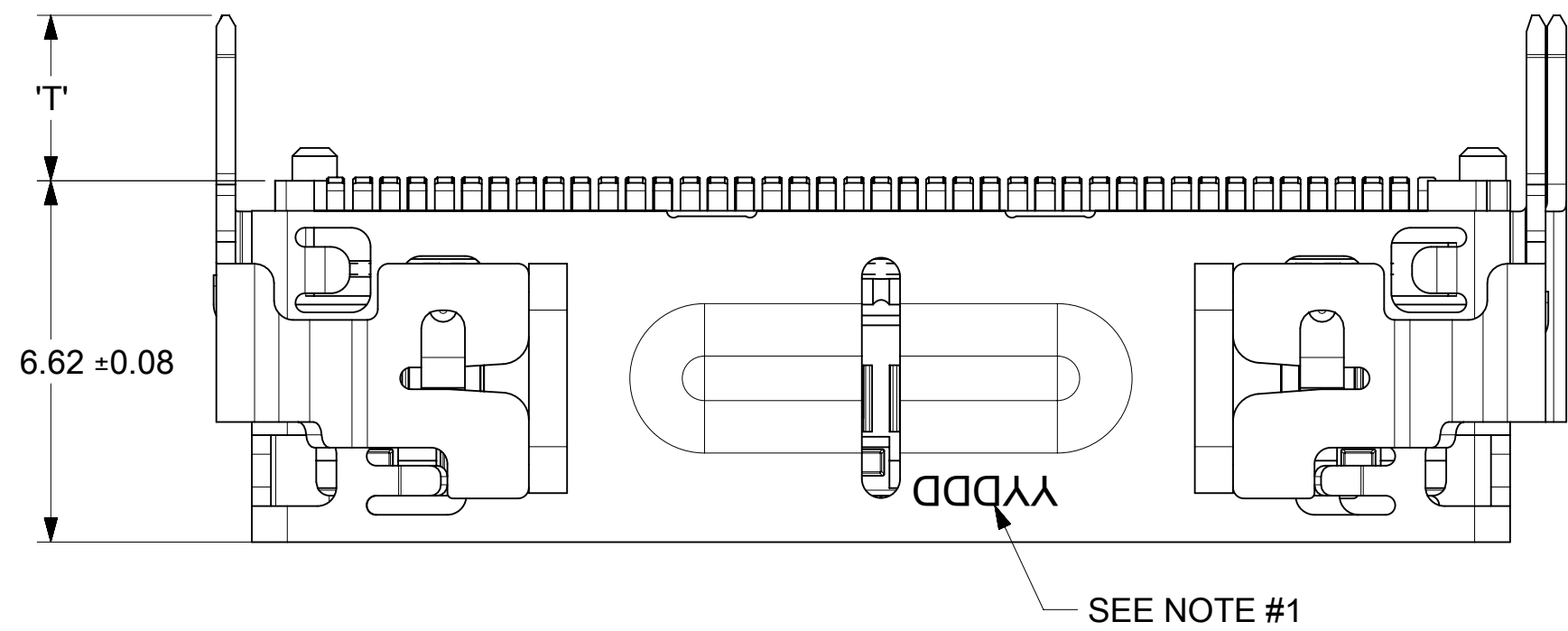
DAY OF THE YEAR

LAST TWO DIGITS OF THE YEAR

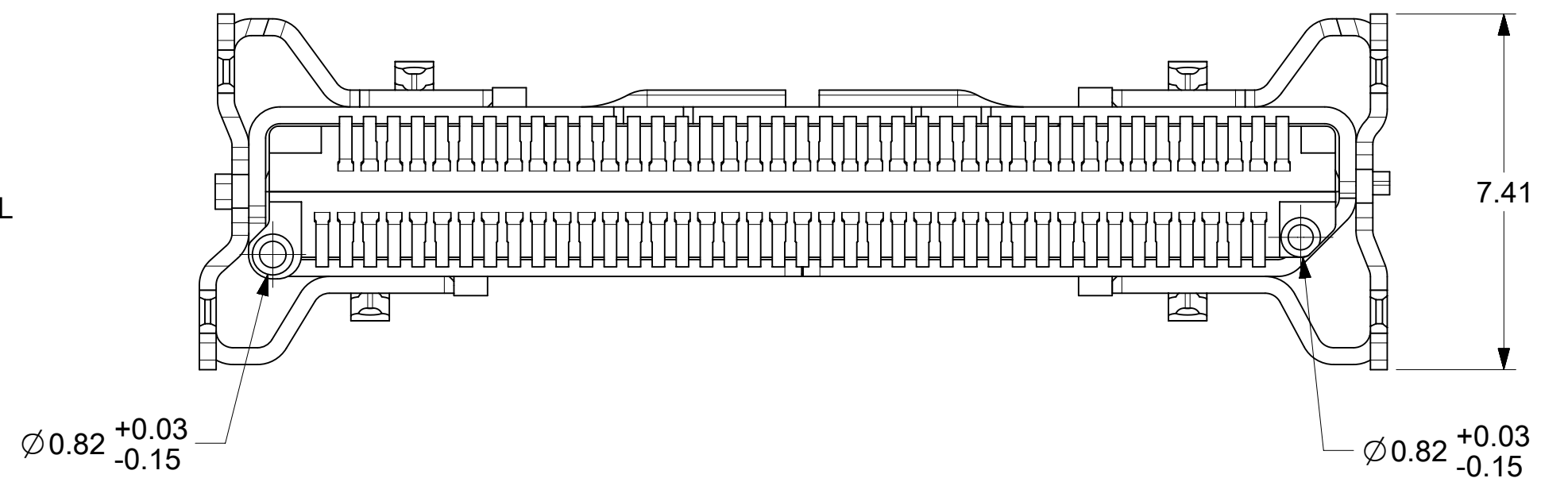
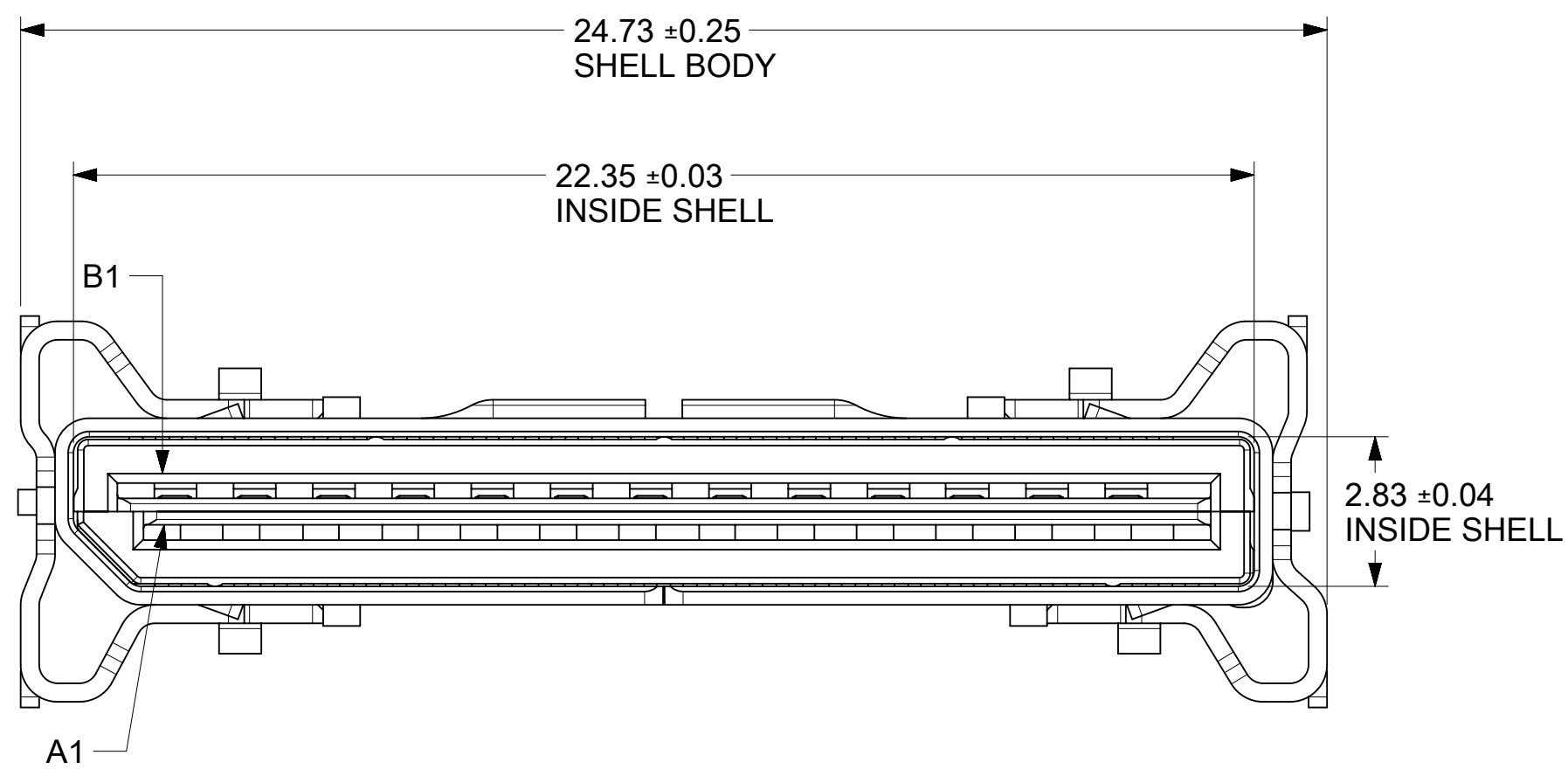
2. SOLDER TAIL COPLANARITY 0.10 MAX

FUNCTIONAL SYMBOLS	THIS DRAWING CONTAINS INFORMATION THAT IS PROPRIETARY TO MOLEX ELECTRONIC TECHNOLOGIES, LLC AND SHOULD NOT BE USED WITHOUT WRITTEN PERMISSION														
	DIMENSION UNITS		SCALE		CURRENT REV DESC:										
	mm		8:1		EC NO: 672997										
	F/A = 0		GENERAL TOLERANCES (UNLESS SPECIFIED)		DRWN: RCHEN55 2021/01/12						NANO PITCH I/O FIXED 25G VERTICAL 8X				
F/C = 0				CHK'D: JKACHLIC 2021/08/30											
F/P = 0				APPR: JKACHLIC 2021/08/30						PRODUCT CUSTOMER DRAWING					
DIVISIONAL SYMBOLS				INITIAL REVISION:									DOCUMENT NUMBER: SD-173162-0002 DOC TYPE: PSD DOC PART: 001 REVISION: E2		
				DRWN: BJANOWIAK 2015/05/11											
				APPR: MBANAKIS 2015/09/18						MATERIAL NUMBER: SEE SHEET 1 CUSTOMER: GENERAL MARKET SHEET NUMBER: 3 OF 8					
				DRAFT WHERE APPLICABLE MUST REMAIN WITHIN DIMENSIONS											
				THIRD ANGLE PROJECTION		DRAWING		SERIES		MATERIAL NUMBER		CUSTOMER		SHEET NUMBER	
				C-SIZE		173162		SEE SHEET 1		GENERAL MARKET		3 OF 8			

8X XD ASSEMBLY



WITH CAP



NOTES:

1. MANUFACTURED DATE CODE (JULIAN CALENDAR)

YYDD

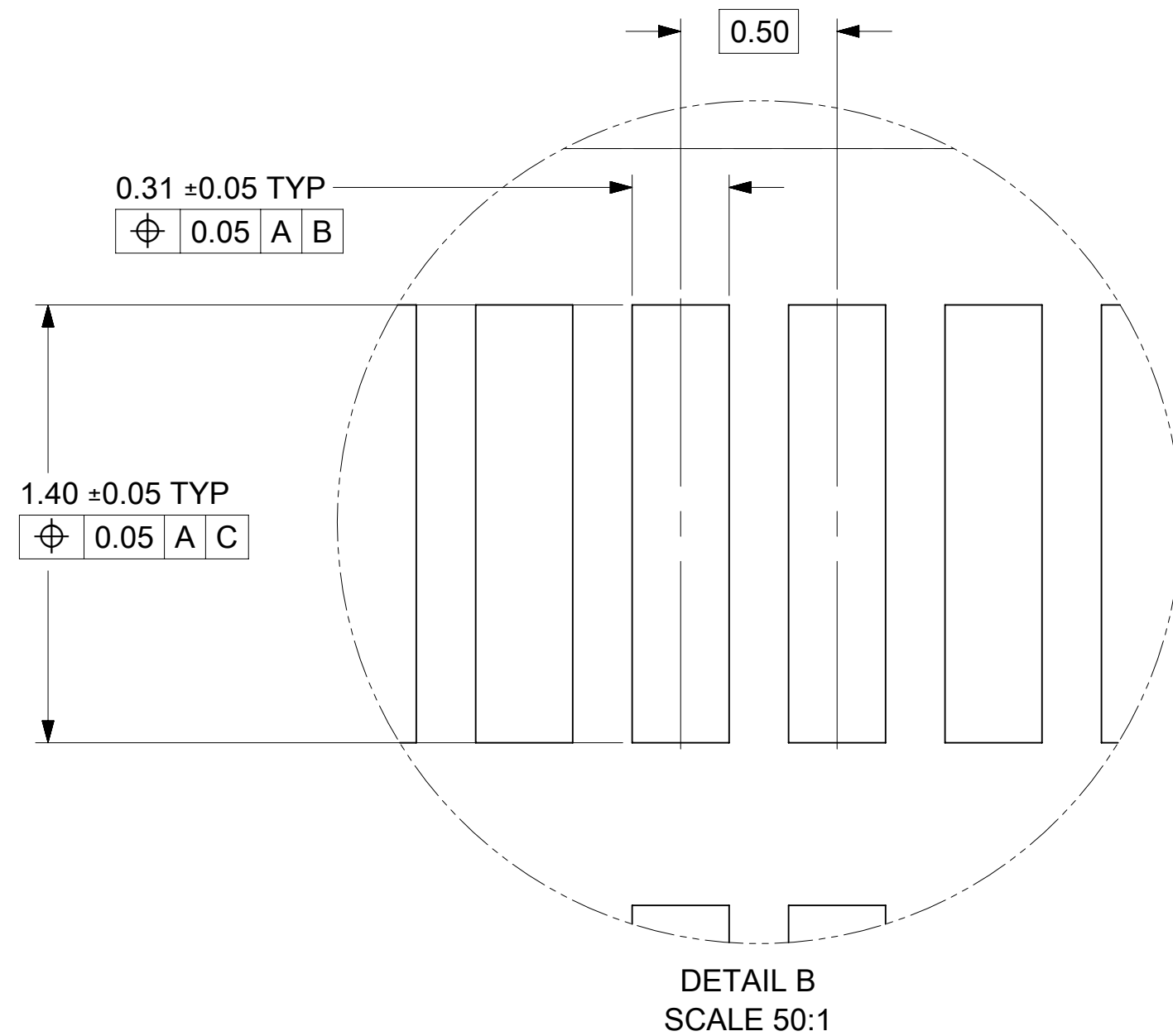
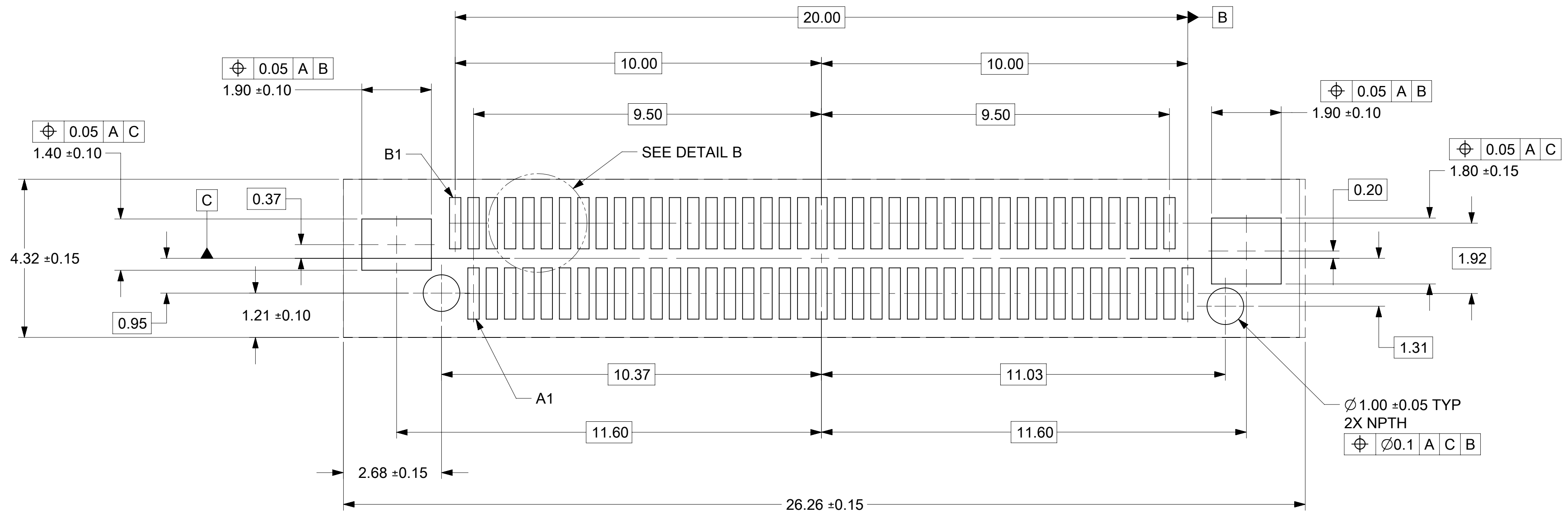
DAY OF THE YEAR

LAST TWO DIGITS OF THE YEAR

2. SOLDER TAIL COPLANARITY 0.10 MAX

FUNCTIONAL SYMBOLS	THIS DRAWING CONTAINS INFORMATION THAT IS PROPRIETARY TO MOLEX ELECTRONIC TECHNOLOGIES, LLC AND SHOULD NOT BE USED WITHOUT WRITTEN PERMISSION																	
	DIMENSION UNITS	SCALE		CURRENT REV DESC:														
FA = 0	mm	8:1		EC NO: 672997 DRWN: RCHEN55 CHK'D: JKACHLIC APPR: JKACHLIC 2021/01/12 2021/08/30 2021/08/30														
FC = 0	GENERAL TOLERANCES (UNLESS SPECIFIED)									MM		INCH		2015/05/11 2015/09/18		NANO PITCH I/O FIXED 25G VERTICAL 8X		
DIVISIONAL SYMBOLS	4 PLACES	±	±	INITIAL REVISION: DRWN: BJANOWIAK APPR: MBANAKIS 2015/05/11 2015/09/18								PRODUCT CUSTOMER DRAWING						
	3 PLACES	±	±									DOCUMENT NUMBER			DOC TYPE		DOC PART	REVISION
	2 PLACES	±	0.13									SD-173162-0002			PSD	001	E2	
	1 PLACE	±	0.25									MATERIAL NUMBER			CUSTOMER		SHEET NUMBER	
0 PLACES	±	±	SEE SHEET 1			GENERAL MARKET		4 OF 8										
ANGULAR TOL		± 0.5°		THIRD ANGLE PROJECTION		DRAWING	SERIES	MATERIAL NUMBER	CUSTOMER	SHEET NUMBER								
DRAFT WHERE APPLICABLE MUST REMAIN WITHIN DIMENSIONS				C-SIZE	173162	SEE SHEET 1	GENERAL MARKET	4 OF 8										

8X SMT RECOMMENDED FOOTPRINT



NOTES:

1. MINIMUM RECOMMENDED SPACING BETWEEN ADJACENT CONNECTOR IS 28.50mm
2. MINIMUM RECOMMENDED PCB THICKNESS: 1.57mm
3. CONNECTOR KEEP OUT AREA
4. DATUM -A- ESTABLISHED FROM TOP SURFACE OF PCB

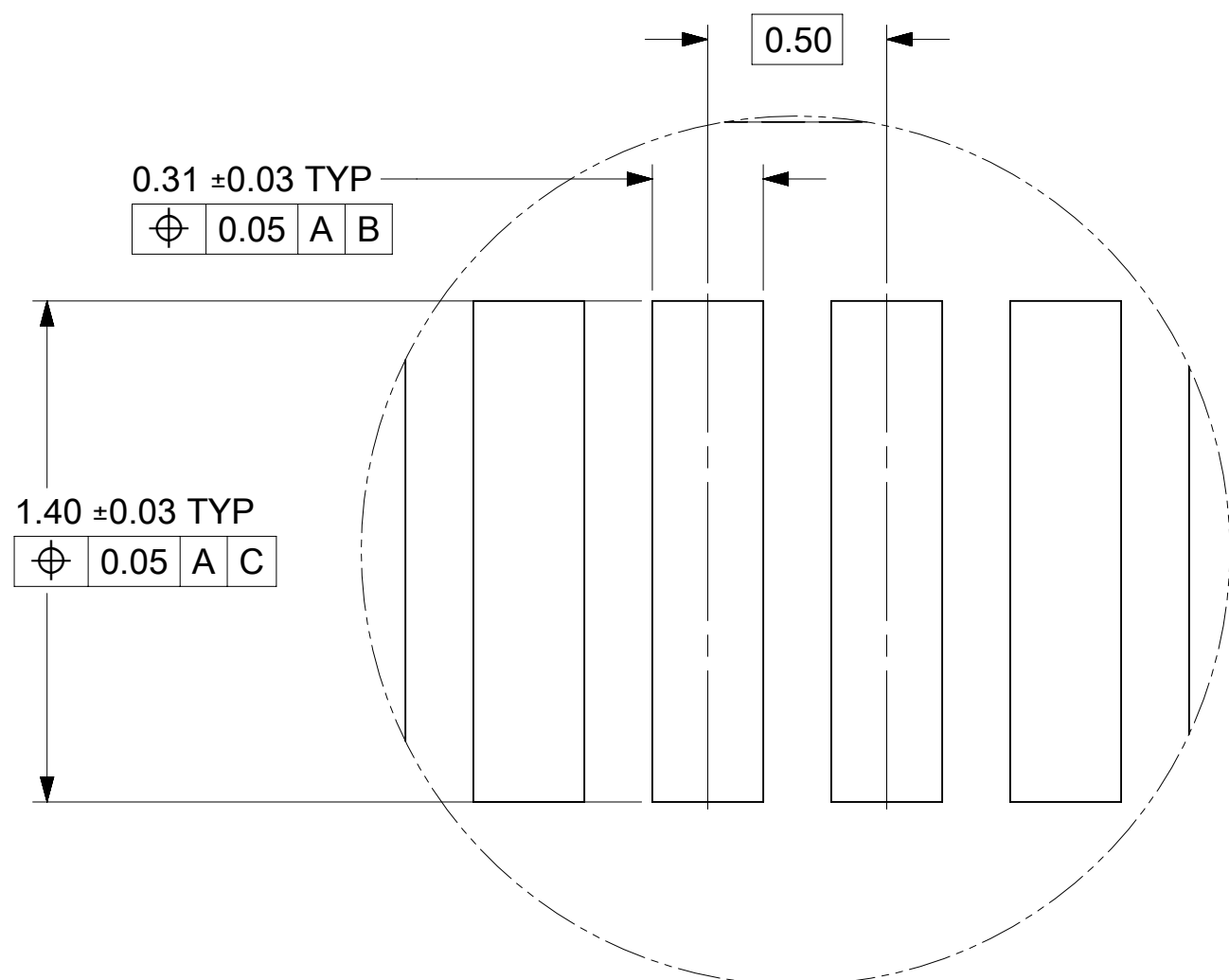
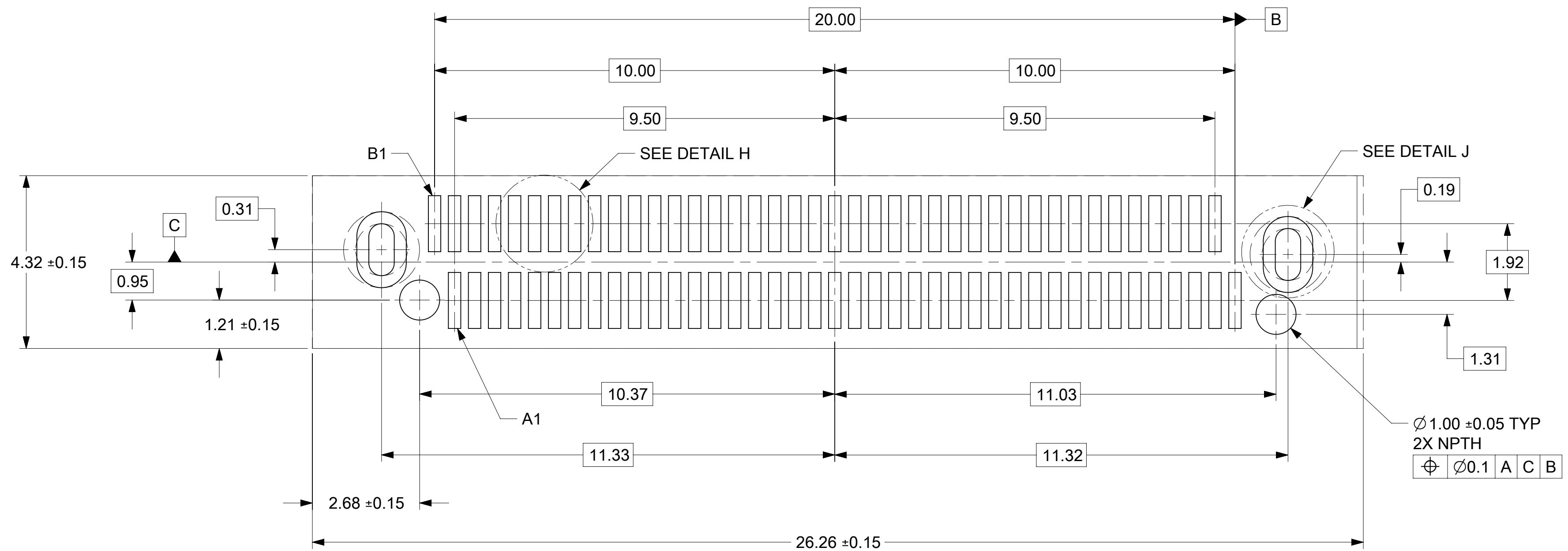
FUNCTIONAL SYMBOLS	THIS DRAWING CONTAINS INFORMATION THAT IS PROPRIETARY TO MOLEX ELECTRONIC TECHNOLOGIES, LLC AND SHOULD NOT BE USED WITHOUT WRITTEN PERMISSION														
	DIMENSION UNITS		SCALE		CURRENT REV DESC:										
	mm		12:1		EC NO: 672997 DRWN: RCHEN55 2021/01/12 CHK'D: JKACHLIC 2021/08/30 APPR: JKACHLIC 2021/08/30										
	GENERAL TOLERANCES (UNLESS SPECIFIED)														
DIVISIONAL SYMBOLS	4 PLACES		±	±	INITIAL REVISION: DRWN: BJANOWIAK 2015/05/11 APPR: MBANAKIS 2015/09/18										
	3 PLACES		±	±											
	2 PLACES		±	0.13											
	1 PLACE		±	0.25											
0 PLACES		±	±	DOCUMENT NUMBER: SD-173162-0002 DOC TYPE: PSD DOC PART: 001 REVISION: E2											
ANGULAR TOL		±	0.5°												
DRAFT WHERE APPLICABLE MUST REMAIN WITHIN DIMENSIONS				THIRD ANGLE PROJECTION		DRAWING		SERIES		MATERIAL NUMBER		CUSTOMER		SHEET NUMBER	
						C-SIZE		173162		SEE SHEET 1		GENERAL MARKET		5 OF 8	

molex

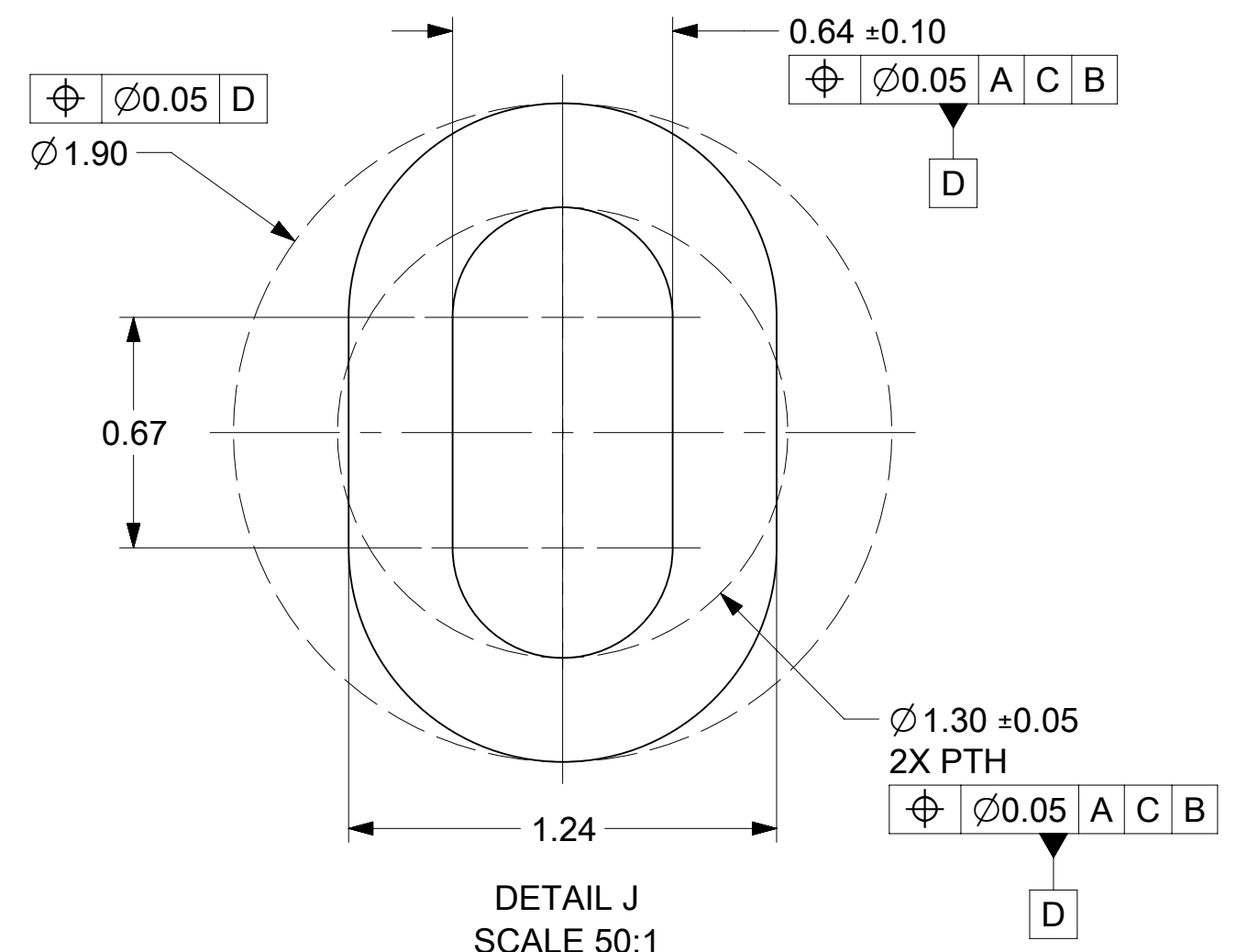
NANO PITCH I/O FIXED 25G
VERTICAL 8X

PRODUCT CUSTOMER DRAWING

8X SOLDER TAIL RECOMMENDED FOOTPRINT



DETAIL H
SCALE 50:1

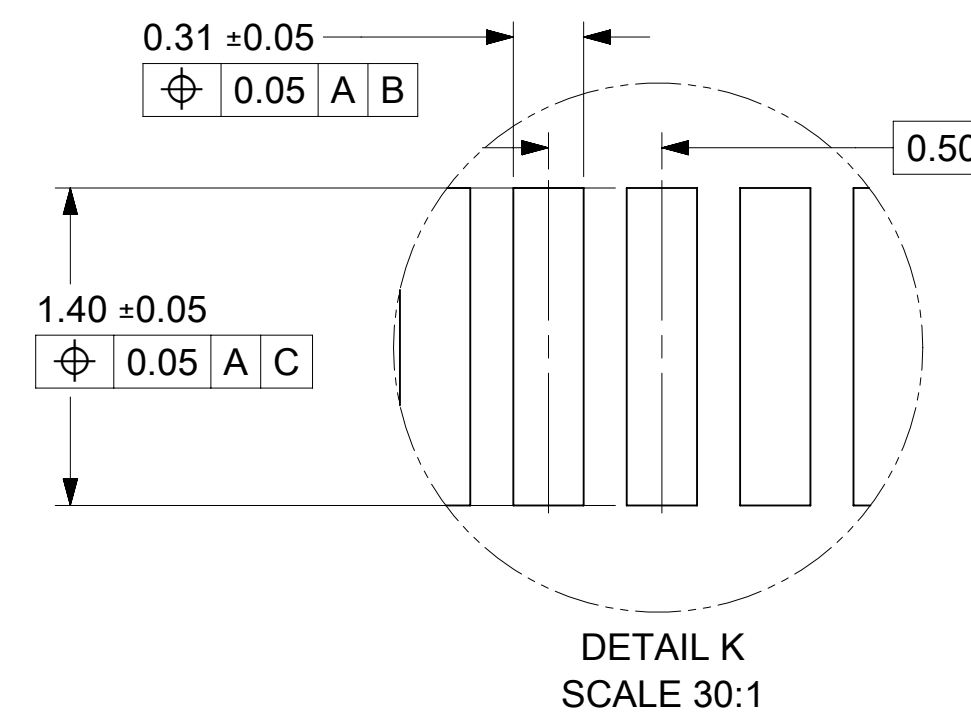
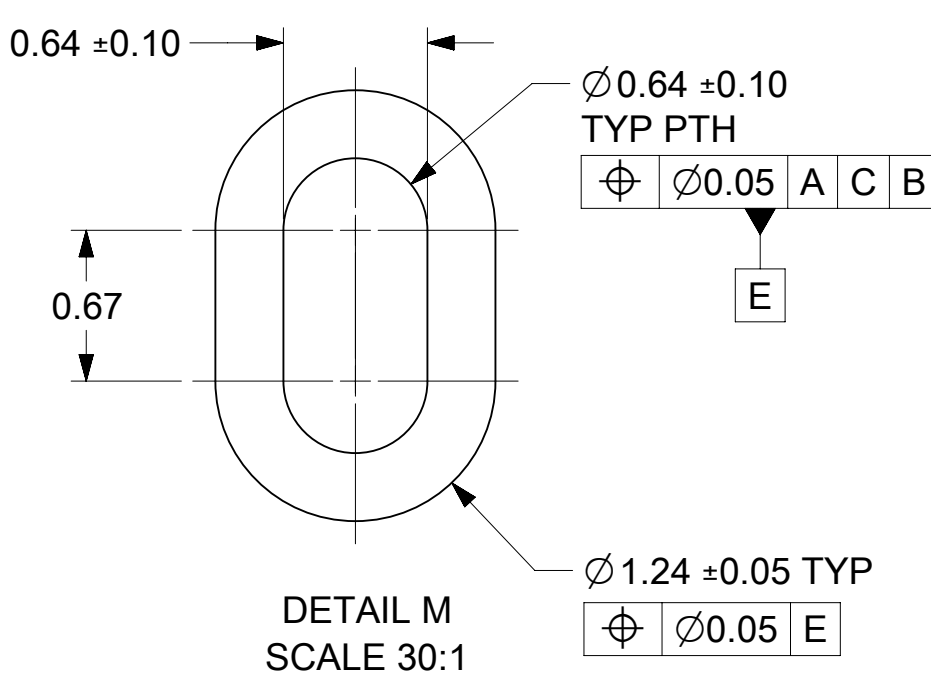
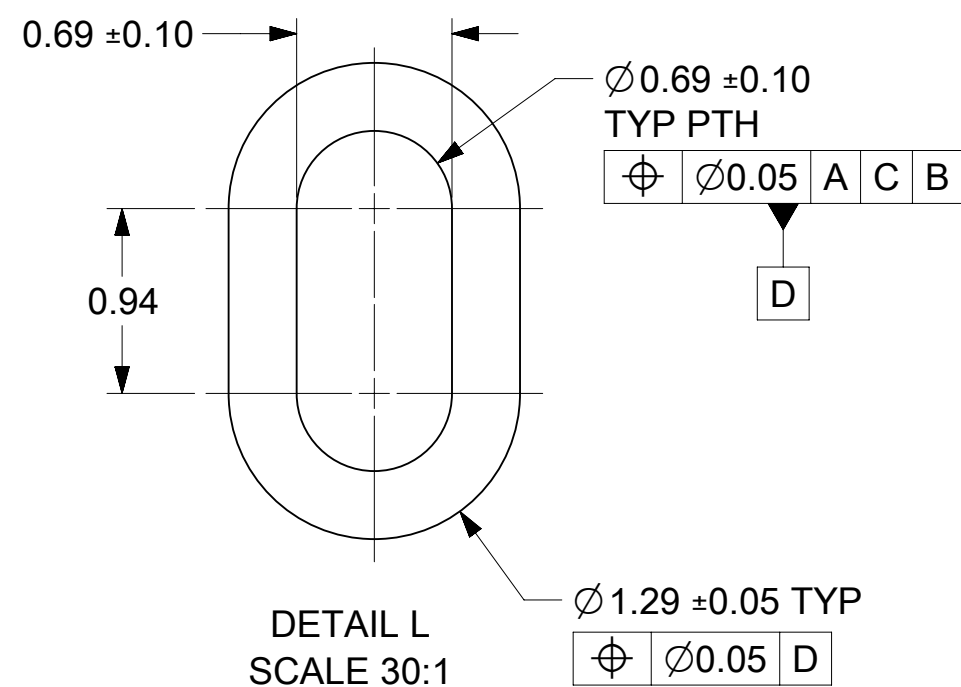
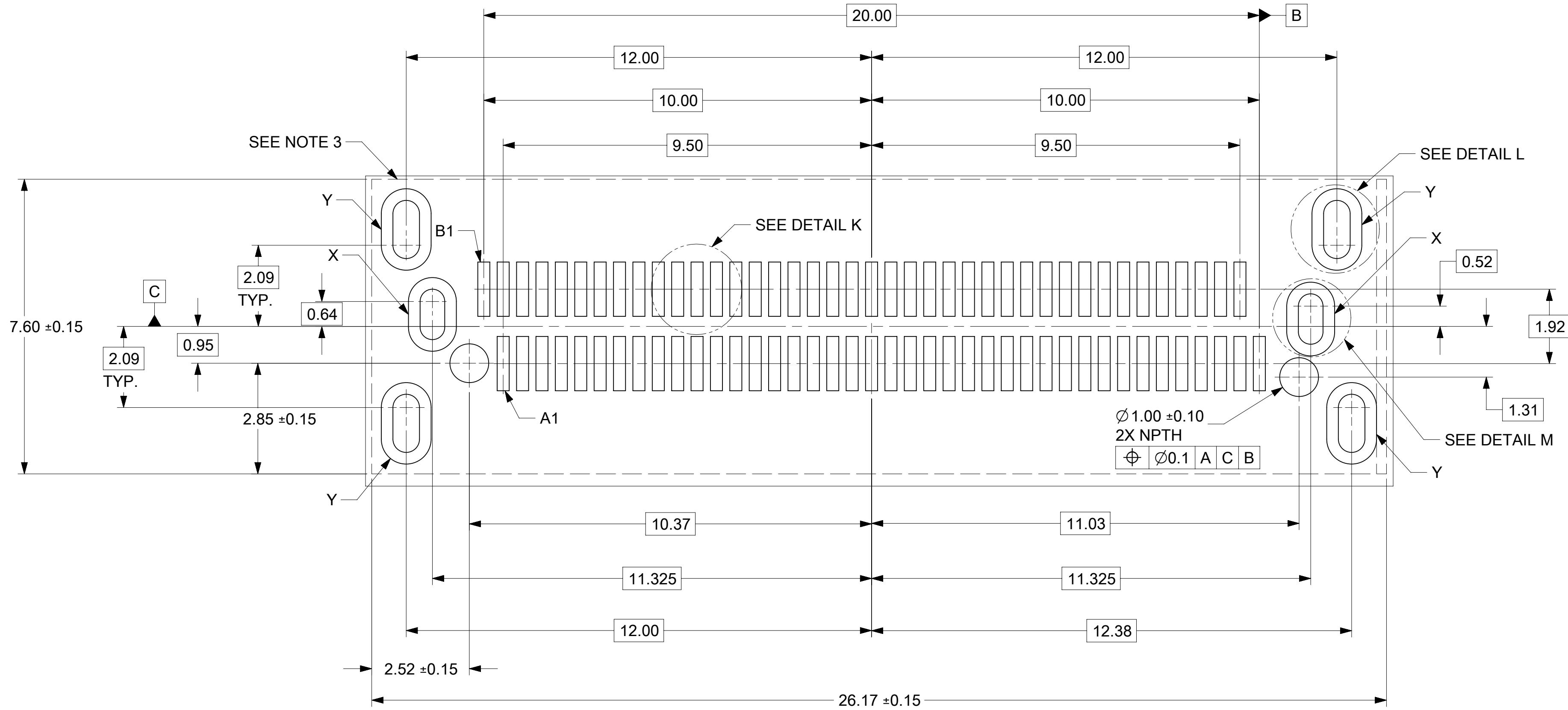


DETAIL J
SCALE 50:1

- NOTES:
1. MINIMUM RECOMMENDED SPACING BETWEEN ADJACENT CONNECTOR IS 28.50mm
 2. MINIMUM RECOMMENDED PCB THICKNESS: 1.57mm
 3. CONNECTOR KEEP OUT AREA
 4. DATUM -A- ESTABLISHED FROM TOP SURFACE OF PCB

FUNCTIONAL SYMBOLS	THIS DRAWING CONTAINS INFORMATION THAT IS PROPRIETARY TO MOLEX ELECTRONIC TECHNOLOGIES, LLC AND SHOULD NOT BE USED WITHOUT WRITTEN PERMISSION														
	DIMENSION UNITS		SCALE		CURRENT REV DESC:										
$\frac{F}{A} = 0$	mm	12:1		EC NO: 672997						NANO PITCH I/O FIXED 25G VERTICAL 8X					
$\frac{F}{C} = 0$	GENERAL TOLERANCES (UNLESS SPECIFIED)			DRWN: RCHEN55 2021/01/12											
$\frac{F}{P} = 0$			MM	INCH	CHK'D: JKACHLIC 2021/08/30										
DIVISIONAL SYMBOLS	4 PLACES	±			APPR: JKACHLIC 2021/08/30						PRODUCT CUSTOMER DRAWING				
	3 PLACES	±			INITIAL REVISION:						DOCUMENT NUMBER				
	2 PLACES	±	0.13		DRWN: BJanowiak 2015/05/11						SD-173162-0002				
	1 PLACE	±	0.25		APPR: MBANAKIS 2015/09/18						PSD 001 E2				
0 PLACES		±			ANGULAR TOL ± 0.5°						DOC TYPE DOC PART REVISION				
DRAFT WHERE APPLICABLE MUST REMAIN WITHIN DIMENSIONS				THIRD ANGLE PROJECTION		DRAWING		SERIES		MATERIAL NUMBER		CUSTOMER		SHEET NUMBER	
						C-SIZE		173162		SEE SHEET 1		GENERAL MARKET		6 OF 8	

8X COMMON TAIL/XD RECOMMENDED FOOTPRINT



- NOTES:
1. MINIMUM RECOMMENDED SPACING BETWEEN ADJACENT CONNECTOR IS 28.50mm
 2. MINIMUM RECOMMENDED PCB THICKNESS: 1.57mm
 3. CONNECTOR KEEP OUT AREA
 4. DATUM -A- ESTABLISHED FROM TOP SURFACE OF PCB
 5. COMMON FOOTPRINT SHOWN
FOR XD ONLY PATTERN USE ONLY PTH DENOTED "Y"
FOR TAIL ONLY PATTERN USE ONLY PTH DENOTED "X"

FUNCTIONAL SYMBOLS										THIS DRAWING CONTAINS INFORMATION THAT IS PROPRIETARY TO MOLEX ELECTRONIC TECHNOLOGIES, LLC AND SHOULD NOT BE USED WITHOUT WRITTEN PERMISSION																													
DIMENSION UNITS					SCALE					CURRENT REV DESC:																													
mm					12:1					EC NO: 672997																													
GENERAL TOLERANCES (UNLESS SPECIFIED)										DRWN: RCHEN55 2021/01/12																													
4 PLACES ±					MM					INCH					CHK'D: JKACHLIC 2021/08/30																								
3 PLACES ±					2 PLACES ± 0.13					1 PLACE ± 0.25					0 PLACES ±					APPR: JKACHLIC 2021/08/30																			
DIVISIONAL SYMBOLS										INITIAL REVISION:																													
ANGULAR TOL ± 0.5 °										DRWN: BJanowiak 2015/05/11																													
DRAFT WHERE APPLICABLE MUST REMAIN WITHIN DIMENSIONS										APPR: MBANAKIS 2015/09/18																													
THIRD ANGLE PROJECTION					DRAWING					SERIES					DOCUMENT NUMBER					DOC TYPE					DOC PART					REVISION									
C-SIZE					173162					SEE SHEET 1					GENERAL MARKET					SD-173162-0002					PSD					001					E2				
MATERIAL NUMBER										CUSTOMER										SHEET NUMBER																			
SEE SHEET 1										GENERAL MARKET										7 OF 8																			

molex

NANO PITCH I/O FIXED 25G
VERTICAL 8X

PRODUCT CUSTOMER DRAWING

REVISION	DATE	DISCRIPTION
E2	8/10/2021	UPDATE THE DATE CODE. SHEET 2/SHEET 3 From "YYDDD" update to "P/N+ YYDDD"

FUNCTIONAL SYMBOLS = 0 = 0 = 0 ##### DRAFT WHERE APPLICABLE MUST REMAIN WITHIN DIMENSIONS	THIS DRAWING CONTAINS INFORMATION THAT IS PROPRIETARY TO MOLEX ELECTRONIC TECHNOLOGIES, LLC AND SHOULD NOT BE USED WITHOUT WRITTEN PERMISSION											
	DIMENSION UNITS	SCALE	CURRENT REV DESC:								 NANO PITCH I/O FIXED 25G VERTICAL 8X PRODUCT CUSTOMER DRAWING	
	mm	1:1	EC NO: 672997									
	GENERAL TOLERANCES (UNLESS SPECIFIED)											
	ANGULAR TOL ± 0.5°		4 PLACES ±		DRWN: RCHEN55		2021/01/12		2021/08/30		DOCUMENT NUMBER	
	3 PLACES ±		2 PLACES ± 0.13		CHK'D: JKACHLIC		2021/08/30		2021/08/30		DOC TYPE	
	1 PLACE ± 0.25		0 PLACES ±		APPR: JKACHLIC		2021/08/30		INITIAL REVISION:		DOC PART	
	DRAFT WHERE APPLICABLE MUST REMAIN WITHIN DIMENSIONS		THIRD ANGLE PROJECTION		DRWN: BJANOWIAK		2015/05/11		2015/06/15		REVISION	
	DRAFT WHERE APPLICABLE MUST REMAIN WITHIN DIMENSIONS		THIRD ANGLE PROJECTION		APPR: BJANOWIAK		2015/06/15		2015/06/15		SD-173162-0002	
	DRAFT WHERE APPLICABLE MUST REMAIN WITHIN DIMENSIONS		THIRD ANGLE PROJECTION		DRAWING		SERIES		MATERIAL NUMBER		CUSTOMER	
DRAFT WHERE APPLICABLE MUST REMAIN WITHIN DIMENSIONS		THIRD ANGLE PROJECTION		C-SIZE		173162		GENERAL MARKET		8 OF 8		