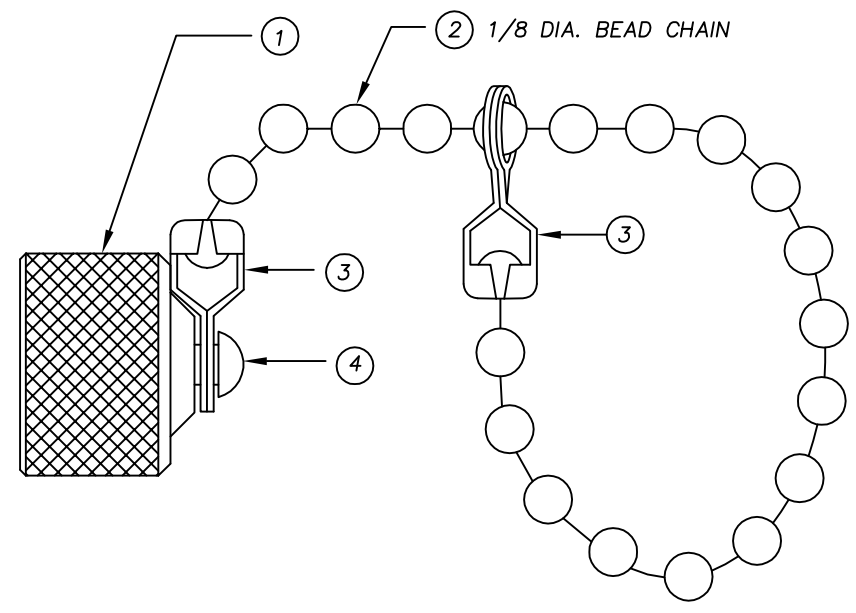
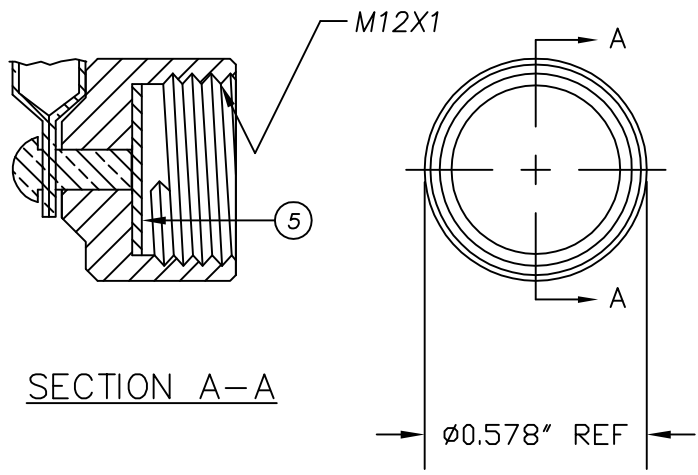


REF.	DESCRIPTION
1	303 STAINLESS STEEL CAP
2	6 INCH 1/8 DIA. STAINLESS STEEL BEAD CHAIN
3	STAINLESS STEEL CHAIN FASTENER
4	#4X3/16 DRIVE SCREW
5	NEOPRENE GASKET



UPDATE PER JM EC NO: WNA209-0313 DRWN: LHARTMAN 2008/10/27 CHKD: YOU 2008/11/07 APPR: JFMURPHY 2008/11/10	QUALITY SYMBOLS ▽=0 ∇=0	GENERAL TOLERANCES (UNLESS SPECIFIED)		DIMENSION STYLE		SCALE	DESIGN UNITS	THIRD ANGLE PROJECTION		
			mm	INCH	----		2:1	INCH		
		4 PLACES	±----	±----	DRAWN BY	DATE	TITLE			
		3 PLACES	±----	±----	LHARTMAN	2008/10/27	MICRO-CHANGE CLOS CAP FF INTERNAL THREAD WITH BEAD CHAIN AND LOOP			
2 PLACES	±----	±----	CHECKED BY	DATE	MOLEX INCORPORATED					
1 PLACE	±----	±----	VOU	2008/10/27	MATERIAL NO.					
ANGULAR ±--°		DRAFT WHERE APPLICABLE MUST REMAIN WITHIN DIMENSIONS		JFMURPHY	2008/10/27	DOCUMENT NO.		SHEET NO.		
				1200770139		SD-130046-005		1 OF 1		
				SIZE	THIS DRAWING CONTAINS INFORMATION THAT IS PROPRIETARY TO MOLEX INCORPORATED AND SHOULD NOT BE USED WITHOUT WRITTEN PERMISSION					
				A						