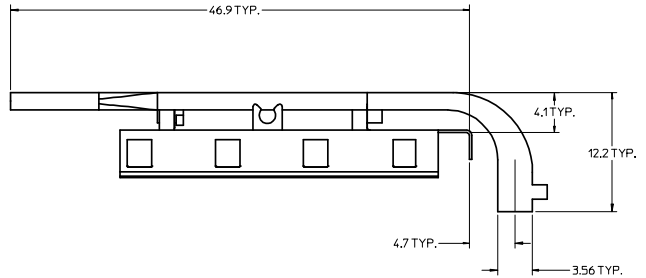
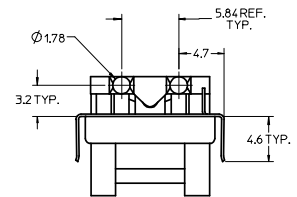
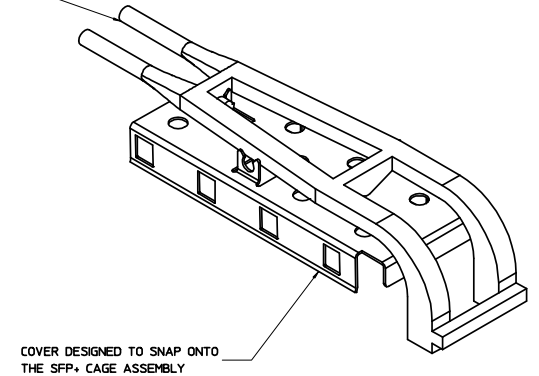
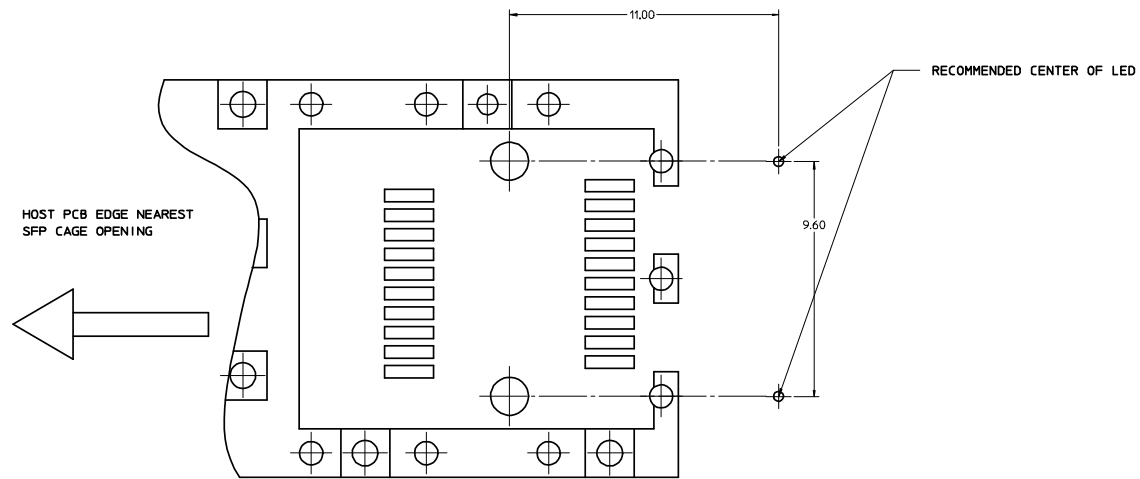
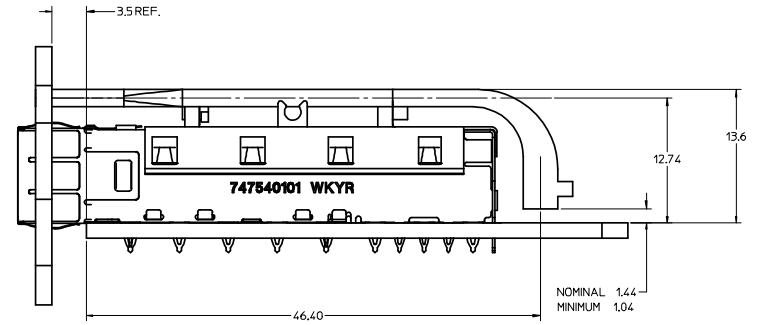
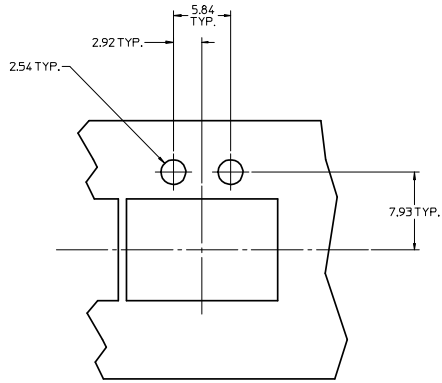


LIGHT PIPES SECURED TO METAL CAGE COVER



- MATERIAL :**  
COVER: COPPER ALLOY  
LIGHT PIPE: POLYCARBONATE (94-V0 RATED)
- THIS LIGHT PIPE ASSEMBLY IS TO BE USED WITH THE SFP+ 1X CAGE ASSEMBLY P/N 7475401\*\*
- IT IS RECOMMENDED THAT THE CAGE BE PRESSED INTO OR SOLDERED TO THE PCB PRIOR TO ASSEMBLING THE LIGHT PIPE ASSEMBLY.
- THIS PART MEETS THE RESTRICTION OF HAZARDOUS SUBSTANCES IN ELECTRICAL AND ELECTRONIC EQUIPMENT (RoHS) DIRECTIVE (2002/95/EC)

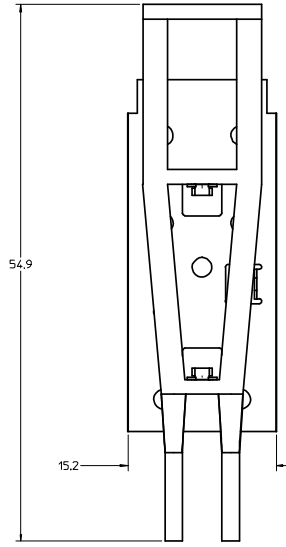
<b>ENTER DESCRIPTION</b> IEC NO: USY2008-0491 DRAWN: JERWIN 2008/07/10 CHKD: ARINKE 2008/07/10 APPR: K.JANOTA 2008/07/22 DESCRIPTION	QUALITY SYMBOLS	GENERAL TOLERANCES (UNLESS SPECIFIED)	DIMENSION STYLE	SCALE	DESIGN UNITS	THIRD ANGLE PROJECTION															
	▼=0 ▽=0	<table border="1"> <thead> <tr> <th></th> <th>mm</th> <th>INCH</th> </tr> </thead> <tbody> <tr> <td>4 PLACES</td> <td>±---</td> <td>±---</td> </tr> <tr> <td>3 PLACES</td> <td>±---</td> <td>±---</td> </tr> <tr> <td>2 PLACES</td> <td>±0.15</td> <td>±---</td> </tr> <tr> <td>1 PLACE</td> <td>±0.25</td> <td>±---</td> </tr> </tbody> </table> ANGULAR ± 1°		mm	INCH	4 PLACES	±---	±---	3 PLACES	±---	±---	2 PLACES	±0.15	±---	1 PLACE	±0.25	±---	MM ONLY DRAWN BY: JERWIN DATE: 2008/06/30 CHECKED BY: ARINKE DATE: 2008/06/30 APPROVED BY: K.JANOTA DATE: 2008/06/30	4:1	METRIC	TITLE: SFP+ 1X1 LIGHT PIPE ASSEMBLY, LOW PROFILE MOLEX INCORPORATED
		mm	INCH																		
	4 PLACES	±---	±---																		
3 PLACES	±---	±---																			
2 PLACES	±0.15	±---																			
1 PLACE	±0.25	±---																			
DRAFT WHERE APPLICABLE MUST REMAIN WITHIN DIMENSIONS	MATERIAL NO: 747540011 DOCUMENT NO: SD-74754-0011	WATER NO: 747540011 DOCUMENT NO: SD-74754-0011	SIZE: D THIS DRAWING CONTAINS INFORMATION THAT IS PROPRIETARY TO MOLEX INCORPORATED AND SHOULD NOT BE USED WITHOUT WRITTEN PERMISSION	SHEET NO: 1 OF 2																	



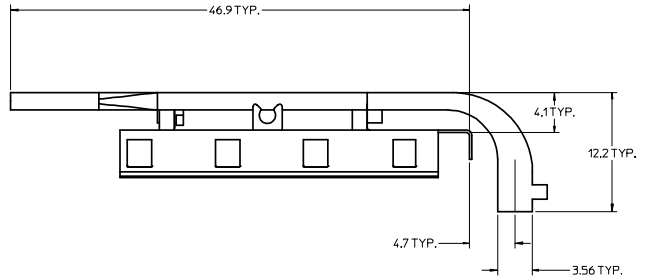
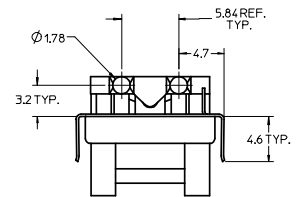
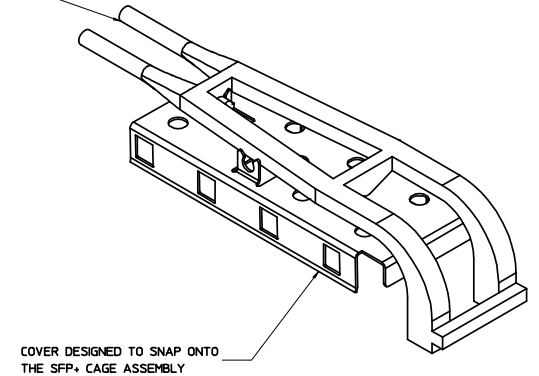
HOST PCB LAYOUT NOTES (SCALE 10:1)

1. LED SHOULD BE PLACED RELATIVE TO THE SFP CONNECTOR POST HOLES
2. LAYOUT APPLIES TO EACH PORT

<b>ENTER DESCRIPTION</b> IEC NO. USY2008-0491 DRAWN: JERWIN 2008/07/10 CHECKED: ARI NKE 2008/07/10 APPROVED: KJANOTA 2008/07/22	<b>QUALITY SYMBOLS</b> ▽=0 ▽=0	<b>GENERAL TOLERANCES (UNLESS SPECIFIED)</b>		<b>DIMENSION STYLE</b> MM ONLY	<b>SCALE</b> 4:1	<b>DESIGN UNITS</b> METRIC	THIRD ANGLE PROJECTION
		4 PLACES ± 0.15 ± 0.05 3 PLACES ± 0.15 ± 0.05 2 PLACES ± 0.15 ± 0.05 1 PLACE ± 0.25 ± 0.10	mm      INCH	DRAWN BY JERWIN      DATE 2008/06/30	TITLE SFP+ 1X1 LIGHT PIPE ASSEMBLY, LOW PROFILE		
		ANGULAR ± 1°	DRAFT WHERE APPLICABLE MUST REMAIN WITHIN DIMENSIONS	CHECKED BY ARI NKE      DATE 2008/06/30	APPROVED BY KJANOTA      DATE 2008/06/30		
		MATERIAL NO. <b>747540011</b>	DOCUMENT NO. <b>SD-74754-0011</b>	MOLEX INCORPORATED	SHEET NO. 2 OF 2		

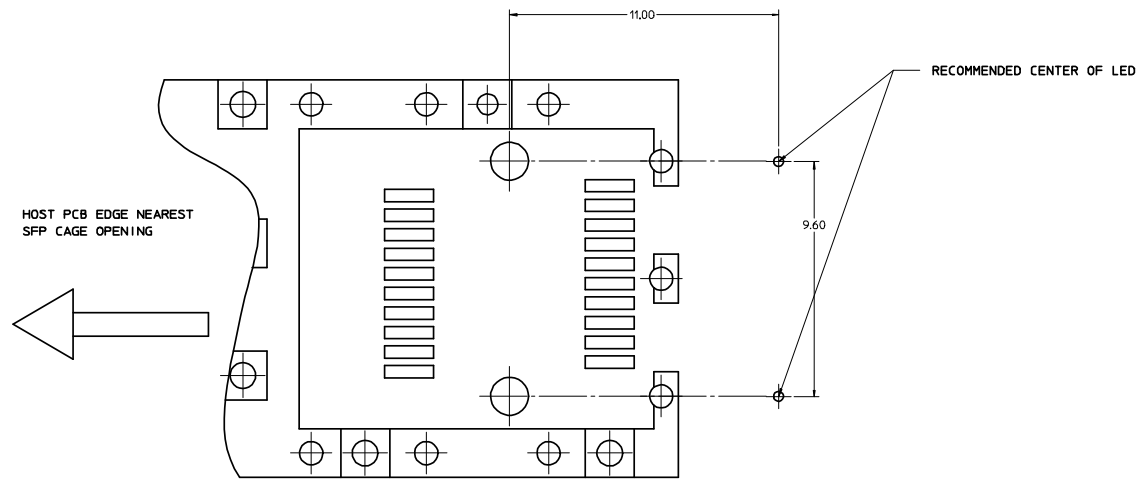
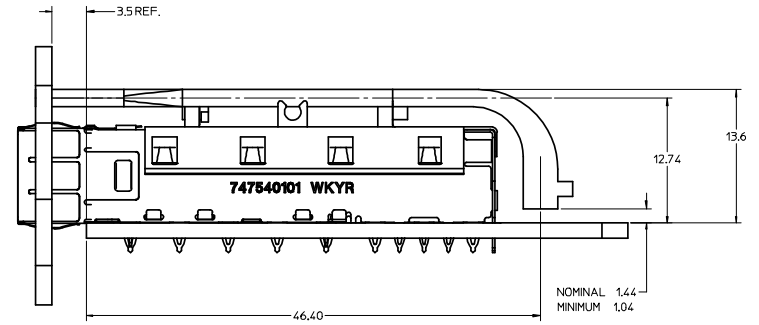
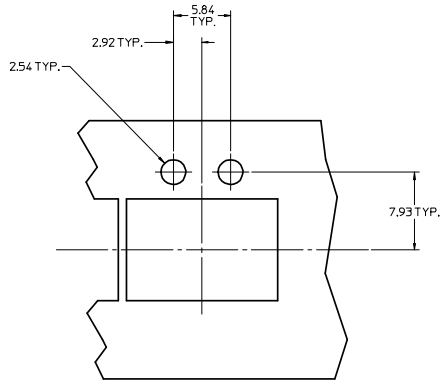


LIGHT PIPES SECURED TO METAL CAGE COVER



- MATERIAL :**  
COVER: COPPER ALLOY  
LIGHT PIPE: POLYCARBONATE (94-V0 RATED)
- THIS LIGHT PIPE ASSEMBLY IS TO BE USED WITH THE SFP+ 1X CAGE ASSEMBLY P/N 7475401\*\*
- IT IS RECOMMENDED THAT THE CAGE BE PRESSED INTO OR SOLDERED TO THE PCB PRIOR TO ASSEMBLING THE LIGHT PIPE ASSEMBLY.
- THIS PART MEETS THE RESTRICTION OF HAZARDOUS SUBSTANCES IN ELECTRICAL AND ELECTRONIC EQUIPMENT (RoHS) DIRECTIVE (2002/95/EC)

<b>ENTER DESCRIPTION</b> IEC NO: USY2008-0491 DRAWN: JERWIN 2008/07/10 CHKD: ARINKE 2008/07/10 APPR: KJANOTA 2008/07/22 DESCRIPTION	QUALITY SYMBOLS	GENERAL TOLERANCES (UNLESS SPECIFIED)	DIMENSION STYLE	SCALE	DESIGN UNITS	THIRD ANGLE PROJECTION															
	▼=0 ▽=0	<table border="1"> <thead> <tr> <th></th> <th>mm</th> <th>INCH</th> </tr> </thead> <tbody> <tr> <td>4 PLACES</td> <td>±---</td> <td>±---</td> </tr> <tr> <td>3 PLACES</td> <td>±---</td> <td>±---</td> </tr> <tr> <td>2 PLACES</td> <td>±0.15</td> <td>±---</td> </tr> <tr> <td>1 PLACE</td> <td>±0.25</td> <td>±---</td> </tr> </tbody> </table> ANGULAR ± 1°		mm	INCH	4 PLACES	±---	±---	3 PLACES	±---	±---	2 PLACES	±0.15	±---	1 PLACE	±0.25	±---	MM ONLY DRAWN BY: JERWIN DATE: 2008/06/30 CHECKED BY: ARINKE DATE: 2008/06/30 APPROVED BY: KJANOTA DATE: 2008/06/30	4:1	METRIC	TITLE: SFP+ 1X1 LIGHT PIPE ASSEMBLY, LOW PROFILE MOLEX INCORPORATED
		mm	INCH																		
	4 PLACES	±---	±---																		
3 PLACES	±---	±---																			
2 PLACES	±0.15	±---																			
1 PLACE	±0.25	±---																			
DRAFT WHERE APPLICABLE MUST REMAIN WITHIN DIMENSIONS	MATERIAL NO: 747540011 DOCUMENT NO: SD-74754-0011	WATER NO: 747540011 DOCUMENT NO: SD-74754-0011	SIZE: D THIS DRAWING CONTAINS INFORMATION THAT IS PROPRIETARY TO MOLEX INCORPORATED AND SHOULD NOT BE USED WITHOUT WRITTEN PERMISSION	SHEET NO: 1 OF 2																	



HOST PCB LAYOUT NOTES (SCALE 10:1)

1. LED SHOULD BE PLACED RELATIVE TO THE SFP CONNECTOR POST HOLES
2. LAYOUT APPLIES TO EACH PORT

<b>ENTER DESCRIPTION</b> IEC NO. USY2008-0491 DRAWN: JERWIN 2008/07/10 CHECKED: ARI NKE 2008/07/10 APPROVED: KJANOTA 2008/07/22	<b>QUALITY SYMBOLS</b> ▽=0 ▽=0	<b>GENERAL TOLERANCES (UNLESS SPECIFIED)</b>		<b>DIMENSION STYLE</b> MM ONLY	<b>SCALE</b> 4:1	<b>DESIGN UNITS</b> METRIC	THIRD ANGLE PROJECTION		
		4 PLACES ± 0.15 ± 0.05 3 PLACES ± 0.15 ± 0.05 2 PLACES ± 0.15 ± 0.05 1 PLACE ± 0.25 ± 0.10	mm INCH	DRAWN BY JERWIN	DATE 2008/06/30	<b>TITLE</b> SFP+ 1X1 LIGHT PIPE ASSEMBLY, LOW PROFILE			
		DRAFT WHERE APPLICABLE MUST REMAIN WITHIN DIMENSIONS		APPROVED BY KJANOTA	DATE 2008/06/30	<b>MOLEX INCORPORATED</b>			
				MATERIAL NO. 747540011	DOCUMENT NO. SD-74754-0011	SHEET NO. 2 OF 2			