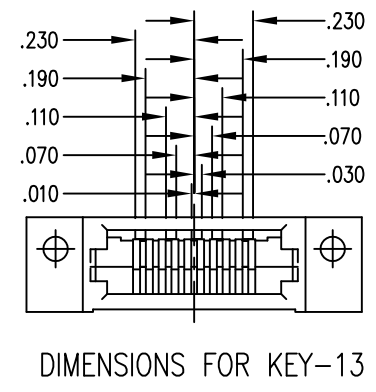
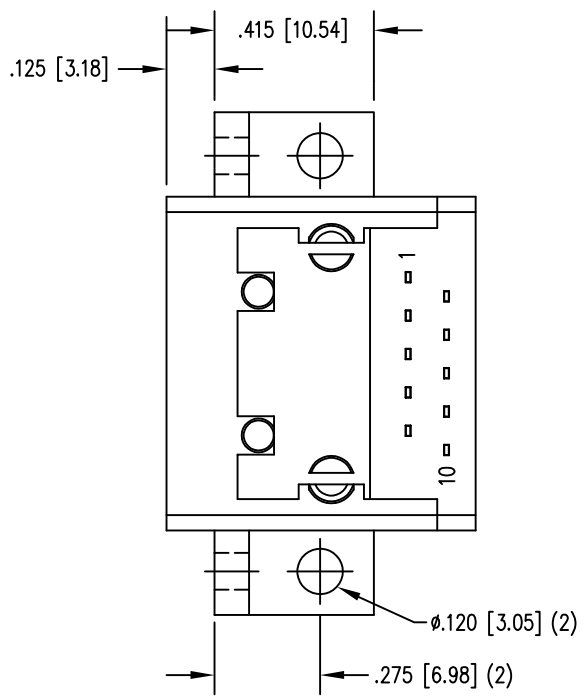
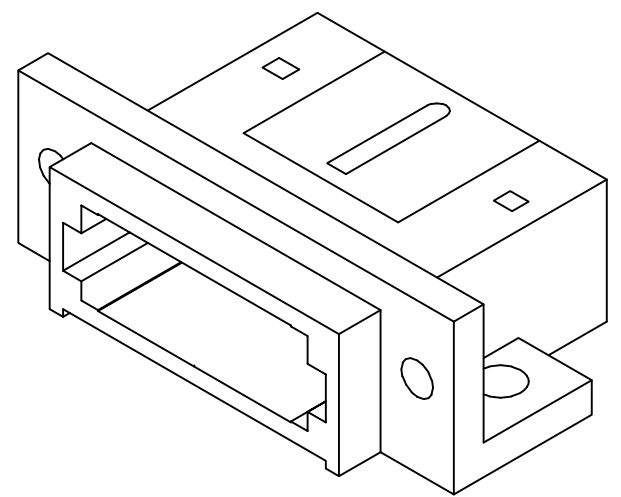
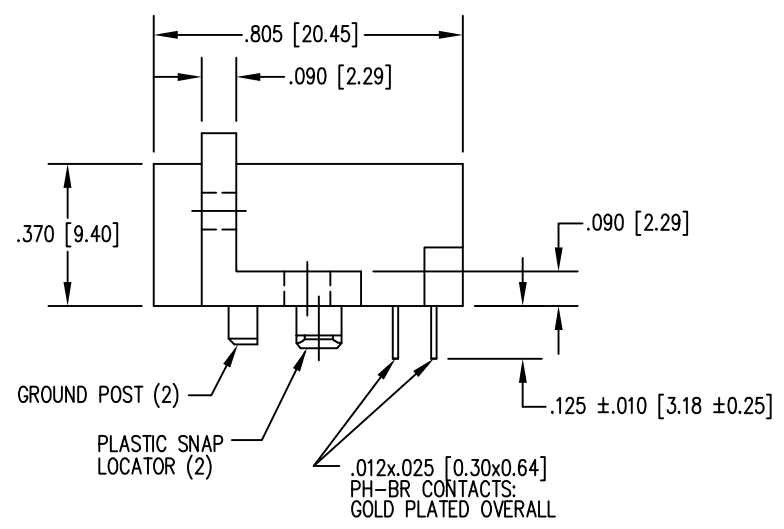
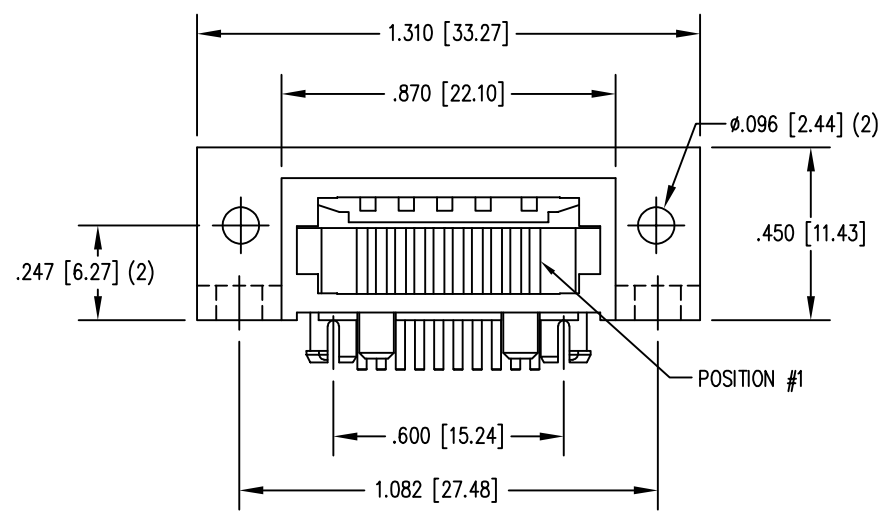
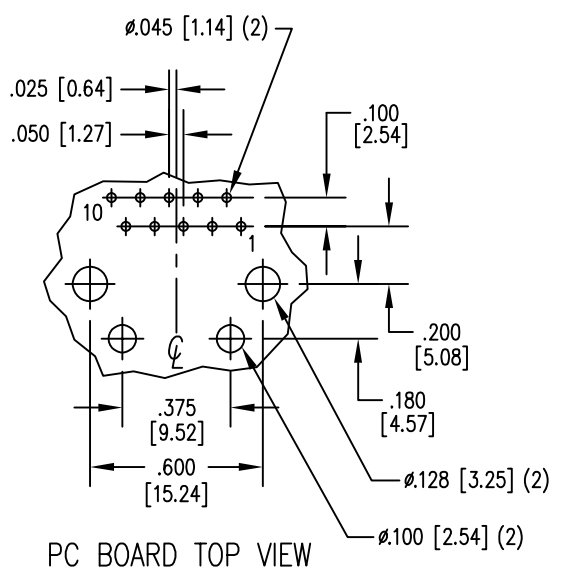


DATE	REV	ECN	APP'D. BY
1/13/15	A6	10182	TRM
3-28-16	A7	10634	TRM
10-4-18	A8	11298	ADB



- NOTES:
- CONNECTOR MATERIALS:
HOUSING: THERMOPLASTIC UL94 V-0
SHIELD: DIE CAST ALLOY
CONTACTS: COPPER ALLOY
SHIELD PLATING: TIN
CONTACT PLATING: SELECTIVE GOLD IN CONTACT AREA
SEE CHART FOR PART NUMBER
 - FOR PRODUCT SPECIFICATIONS SEE PR026-01.
 - TOLERANCES ARE ±.006 [0.15] UNLESS OTHERWISE NOTED .

30 MICRO-INCHES [0.76um]	SS-611010TLF-P-13-4/6
CONTACT PLATING IN MATING AREA	PART NUMBER



THIRD ANGLE PROJECTION	 1118 Susquehanna Trail South Glen Rock, PA 17327-9199 (717) 235-7512 http://www.stewartconnector.com
DO NOT SCALE DRAWING DRAWING IS SUBJECT TO CHANGE WITHOUT NOTICE	
DIMENSIONS: INCHES [METRIC]	TITLE: 10X10 COMPU-SHIELD JACK FINAL ASSY, FLANGED, KEYED #4-40 TAP ON Ø.096 HOLES AND #6-32 ON Ø.120 HOLES.
UNLESS OTHERWISE SPECIFIED TOLERANCES ARE ±.005 [0.13] ANGLES ARE ± 1°	DRN BY: B.K. DATE: 12-15-94
SHEET NO. 1 OF 1	APPD BY: J.W. DATE: 2-14-95
	DWG NO. CT610022 REV. A8