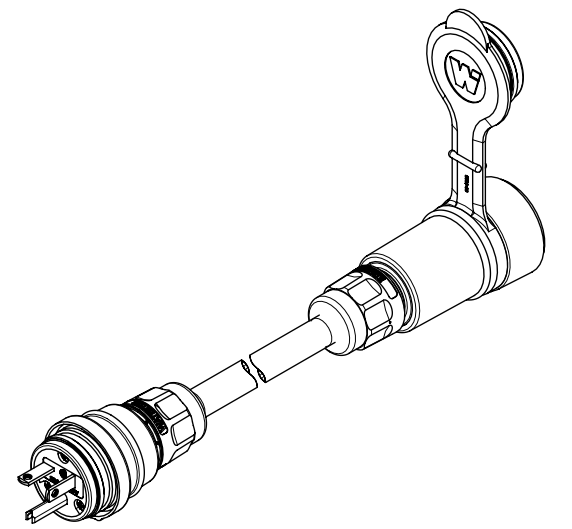
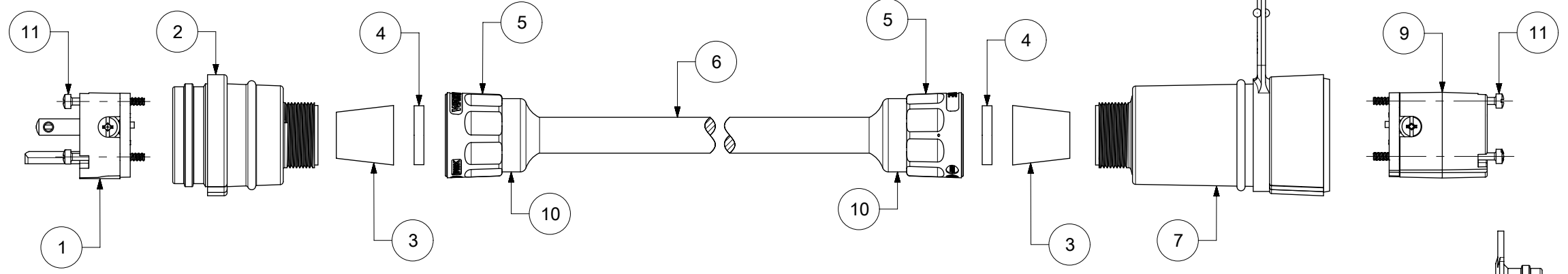
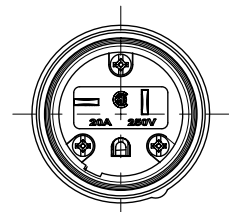


MATERIAL NO.	ENGINEERING NO.	DESCRIPTION	PRODUCT LENGTH
1301430155	14W48A143	14W48 W/25 14-3SO 15W48	25 FT +12.0/-0.0 IN
1301430156	14W48D143	14W48 W/100 14-3SO 15W48	100 FT +24.0/-0.0 IN

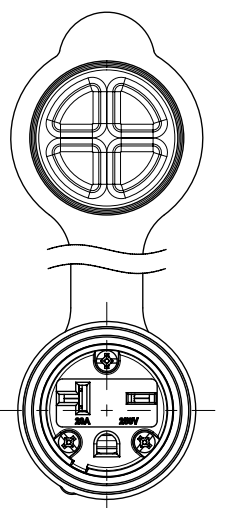
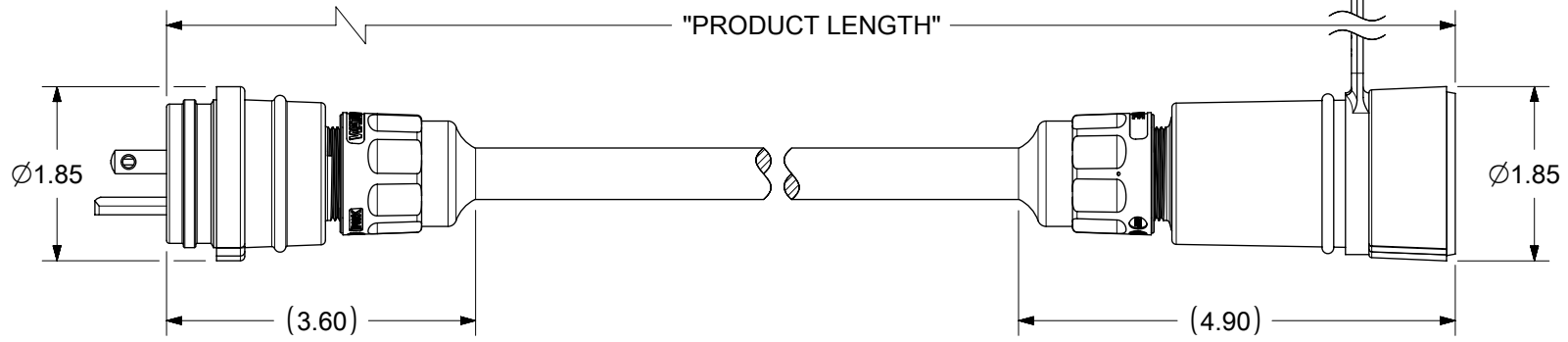
NEMA 6-20; 20A 250V; 2-POLE/3-WIRE



ITEM NO.	DESCRIPTION	MATERIAL	QTY.
1	MALE INSERT ASSY.	NYLON, POLYCARBONATE, BRASS PLATING - NICKEL OR ZINC	1
2	WATERTITE - MALE HUSK	SILICONE	1
3	GROMMET	RUBBER	2
4	FRICITION RING	NYLON	2
5	COMPRESSION NUT YELLOW	NYLON	2
6	YELLOW SOOW CORD	COPPER WIRE	1
7	WATERTITE - FEMALE HUSK	SILICONE	1
8	CLOSURE CAP YELLOW	SILICONE	1
9	FEMALE INSERT ASSY.	NYLON, POLYCARBONATE, BRASS PLATING - NICKEL OR ZINC	1
10	CABLE GLOVE	SILICONE	2
11	RETAINING SCREW	STAINLESS STEEL	6



14W48
FACE VIEW OF
MALE INSERT



15W48
FACE VIEW OF
FEMALE INSERT

SYMBOLS		THIS DRAWING CONTAINS INFORMATION THAT IS PROPRIETARY TO MOLEX ELECTRONIC TECHNOLOGIES, LLC AND SHOULD NOT BE USED WITHOUT WRITTEN PERMISSION	
▽ = 0	INCH	SCALE	CURRENT REV DESC: NEW SALE DRAWING CREATED.
▽ = 0	NTS		
▽ = 0	GENERAL TOLERANCES (UNLESS SPECIFIED)		molex WATERTITE CORDSET PLUG AND CONNECTOR WITH CORD PRODUCT CUSTOMER DRAWING
▽ = 0	ANGULAR TOL ± °		
▽ = 0	4 PLACES	±	
▽ = 0	3 PLACES	±	
▽ = 0	2 PLACES	±	
▽ = 0	1 PLACE	±	INITIAL REVISION:
▽ = 0	0 PLACES	±	DRWN: PPURSUTANDEL 2019/07/05
▽ = 0	DRAFT WHERE APPLICABLE MUST REMAIN WITHIN DIMENSIONS		CHK'D: DNGUYEN62 2019/08/07
		THIRD ANGLE PROJECTION	APPR: HKNEELAND 2020/05/19
		DRAWING	
		SERIES	
		MATERIAL NUMBER	1301430155
		CUSTOMER	GENERAL MARKET
		SHEET NUMBER	1 OF 1