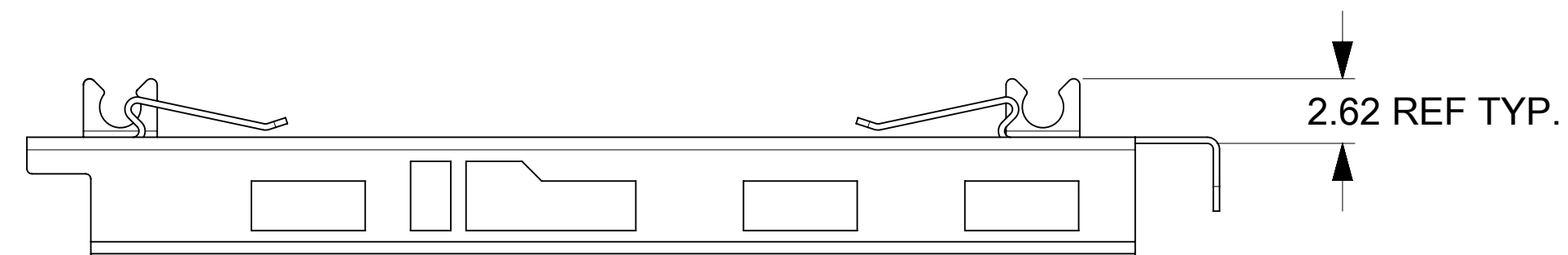
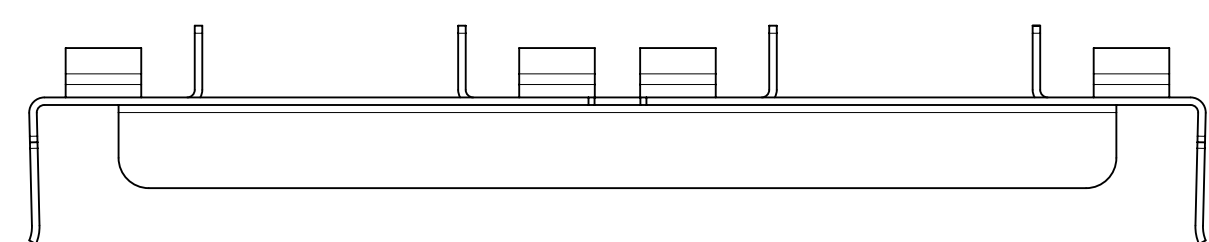
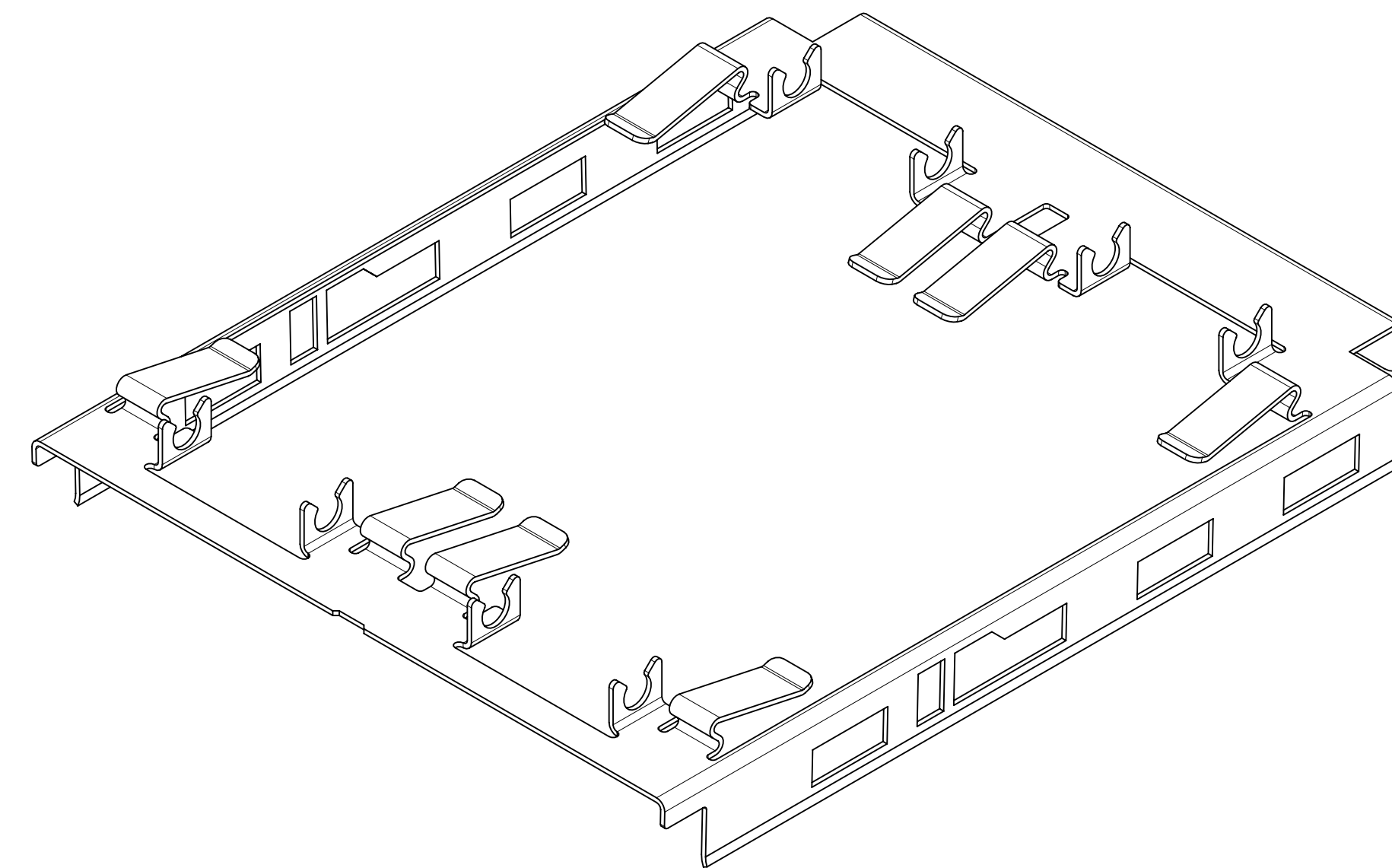
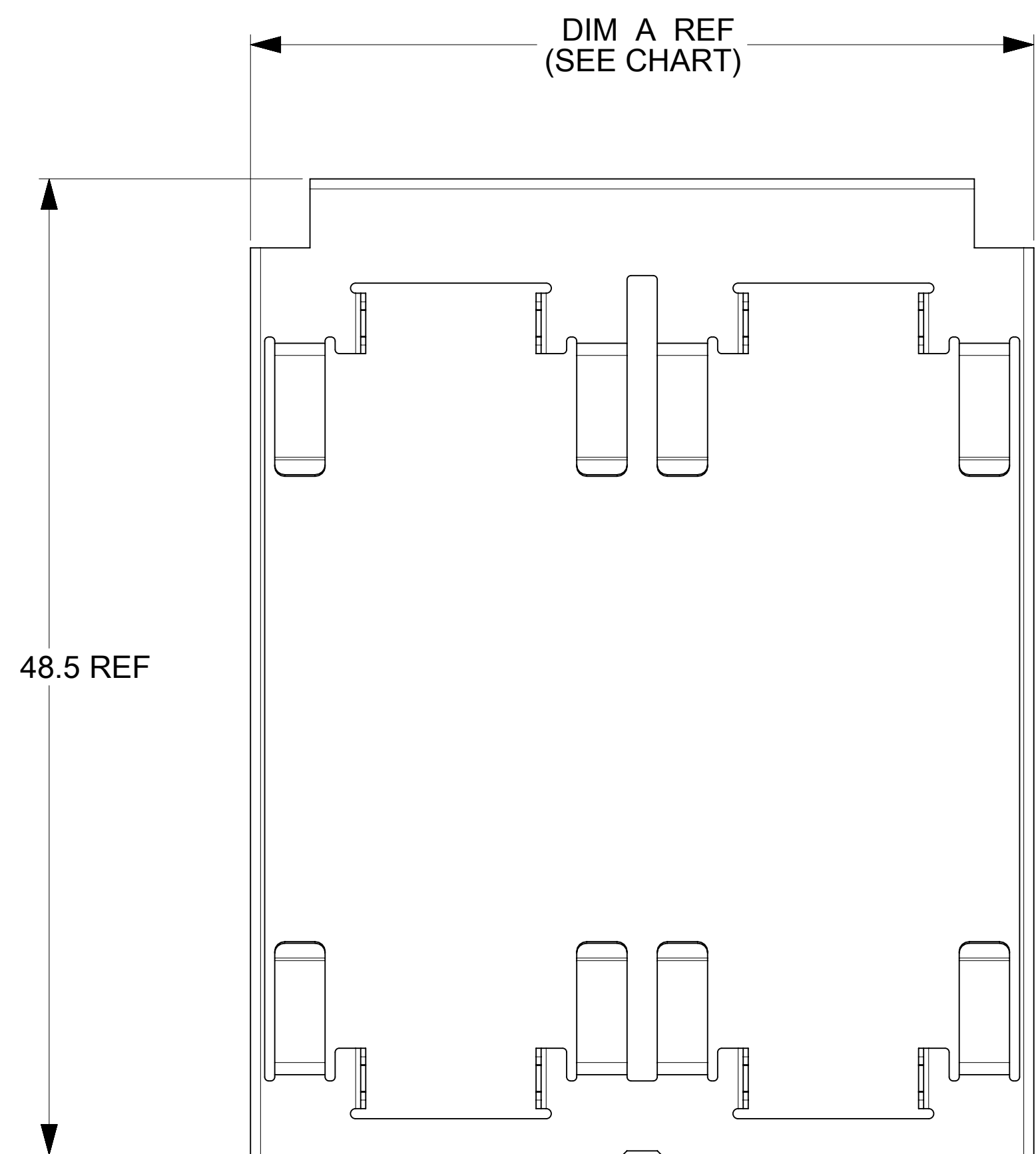


HEAT SINK CLIP W/OUT LIGHT PIPE(1X2 SHOWN)



MOLEX P/N	PORT SIZE	DIM A
747830262	1X2	38.9
747830363	1X3	57.9
747830462	1X4	76.9
747830562	1X5	95.9
747830662	1X6	114.9

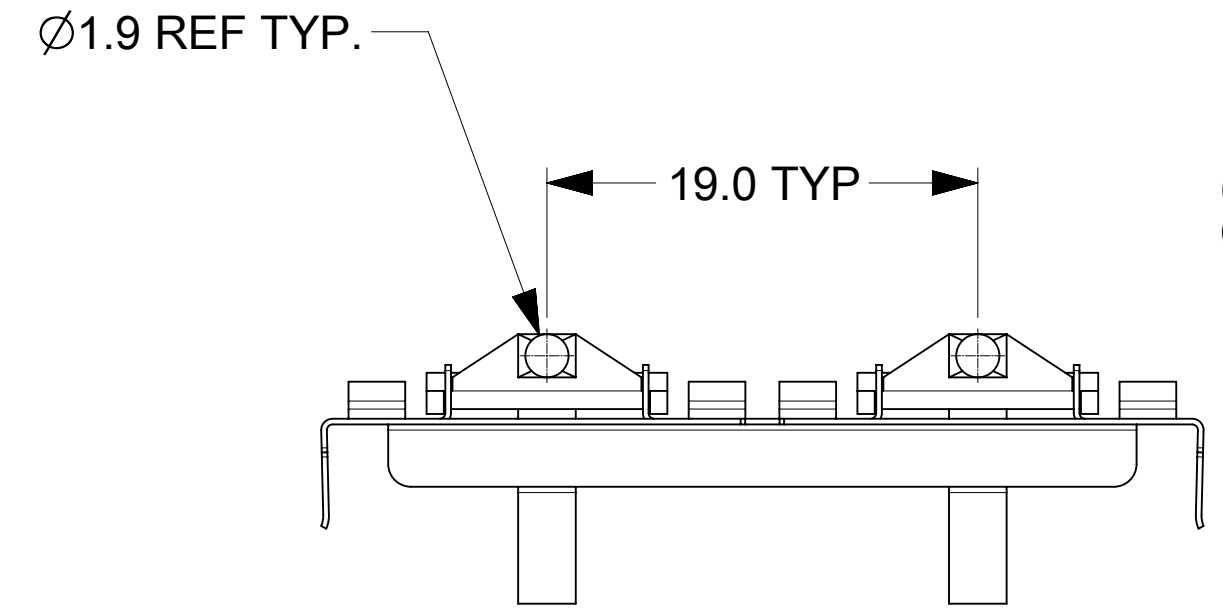
NOTES:

1. MATERIAL: STAINLESS STEEL
2. PACKAGING: TRAY
3. NO RoHS EXEMPTIONS

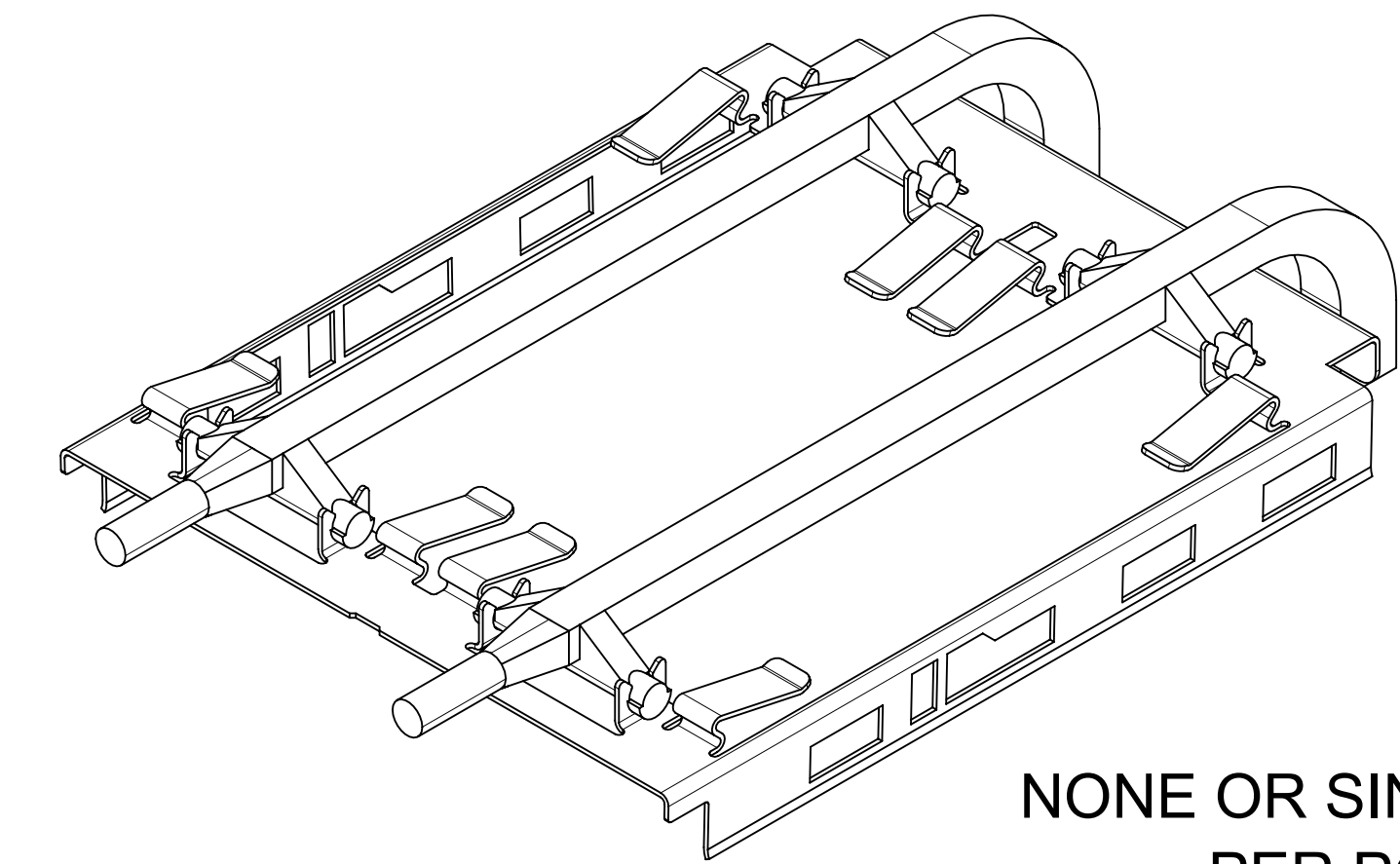
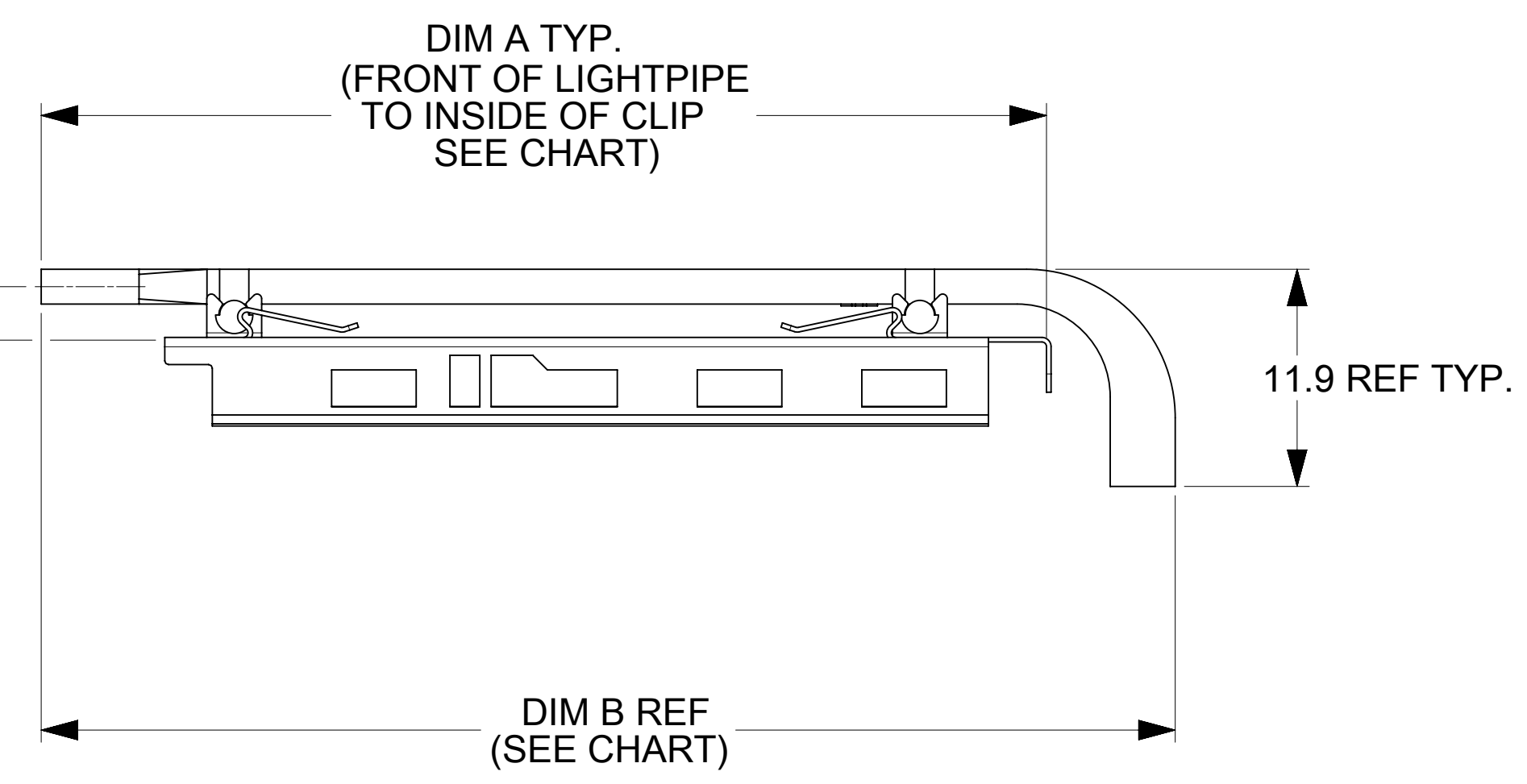
THIS DRAWING CONTAINS INFORMATION THAT IS PROPRIETARY TO MOLEX ELECTRONIC TECHNOLOGIES, LLC AND SHOULD NOT BE USED WITHOUT WRITTEN PERMISSION

DIMENSION UNITS mm	SCALE 4:1	CURRENT REV DESC: OBSOLETE PART NUMBER AS PER PCN#509457.	molex					
GENERAL TOLERANCES (UNLESS SPECIFIED)							1X2, 1X3, 1X4, 1X5, 1X6 QSFP+ HEAT SINKS AND CLIP ASSEMBLIES	
	MM	INCH	PRODUCT CUSTOMER DRAWING					
4 PLACES	±	±	EC NO: 680890	2021/07/20	DOCUMENT NUMBER	DOC TYPE	DOC PART	REVISION
3 PLACES	±	±	DRWN: SANTHN	2021/11/25	SD-74767-0400	PSD	001	G
2 PLACES	±	0.15	CHK'D: GGA	2021/11/25				
1 PLACE	±	0.25	APPR: GGA	2021/11/25	INITIAL REVISION:			
0 PLACES	±	±	DRWN: BSWAJA	2012/02/09	MATERIAL NUMBER			
ANGULAR TOL	±	0.5 °	APPR: KLOYD	2012/02/16	CUSTOMER			
DRAFT WHERE APPLICABLE MUST REMAIN WITHIN DIMENSIONS		THIRD ANGLE PROJECTION	DRAWING	SERIES	SHEET NUMBER			
			D-SIZE	74767	SEE TABLE		GENERAL MARKET	
					1 OF 5			

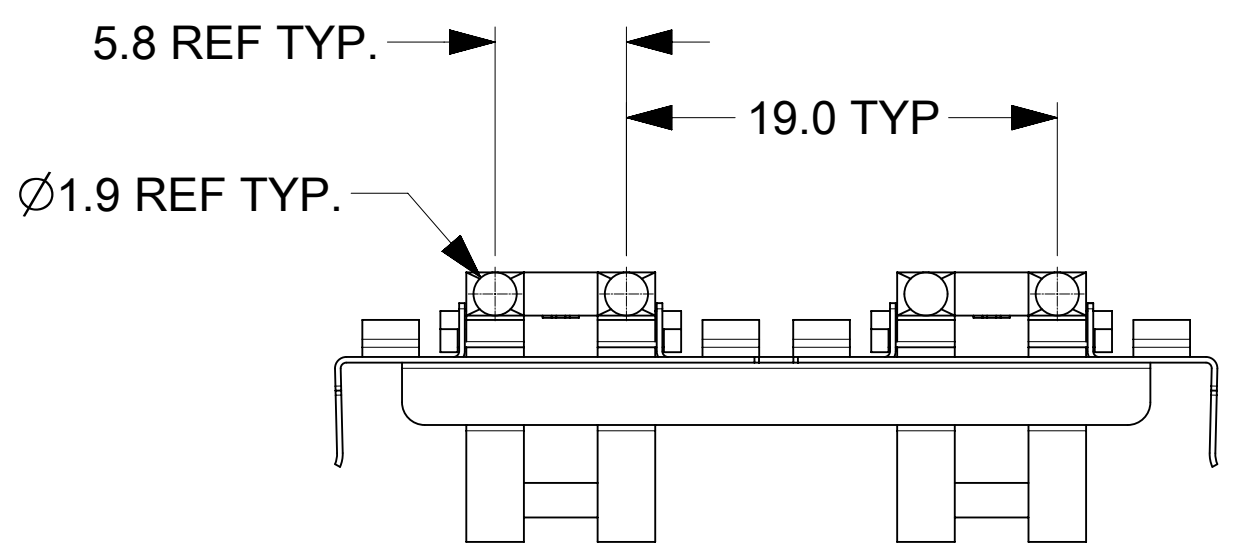
HEAT SINK CLIP W/ LIGHT PIPE (1X2 SHOWN)



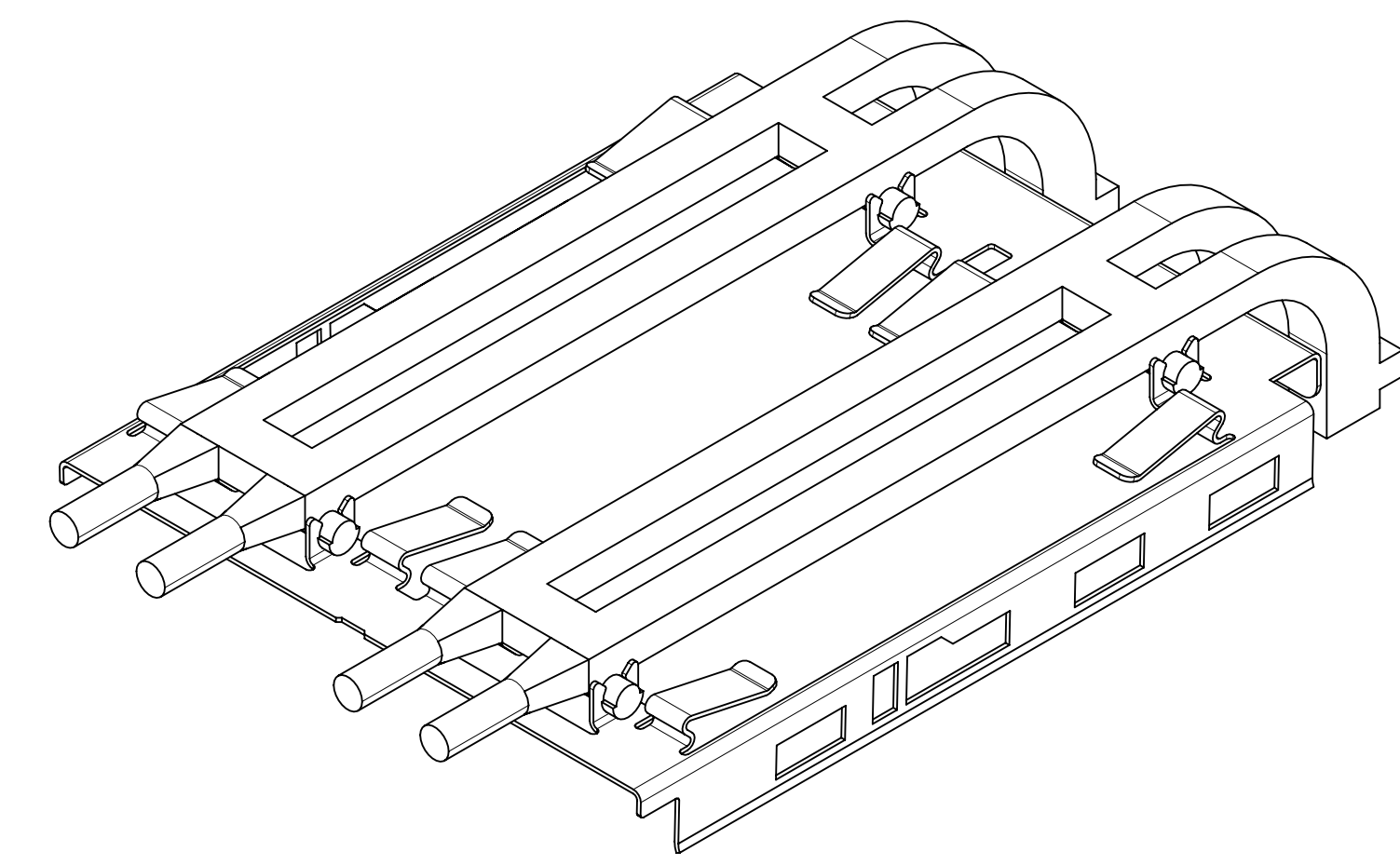
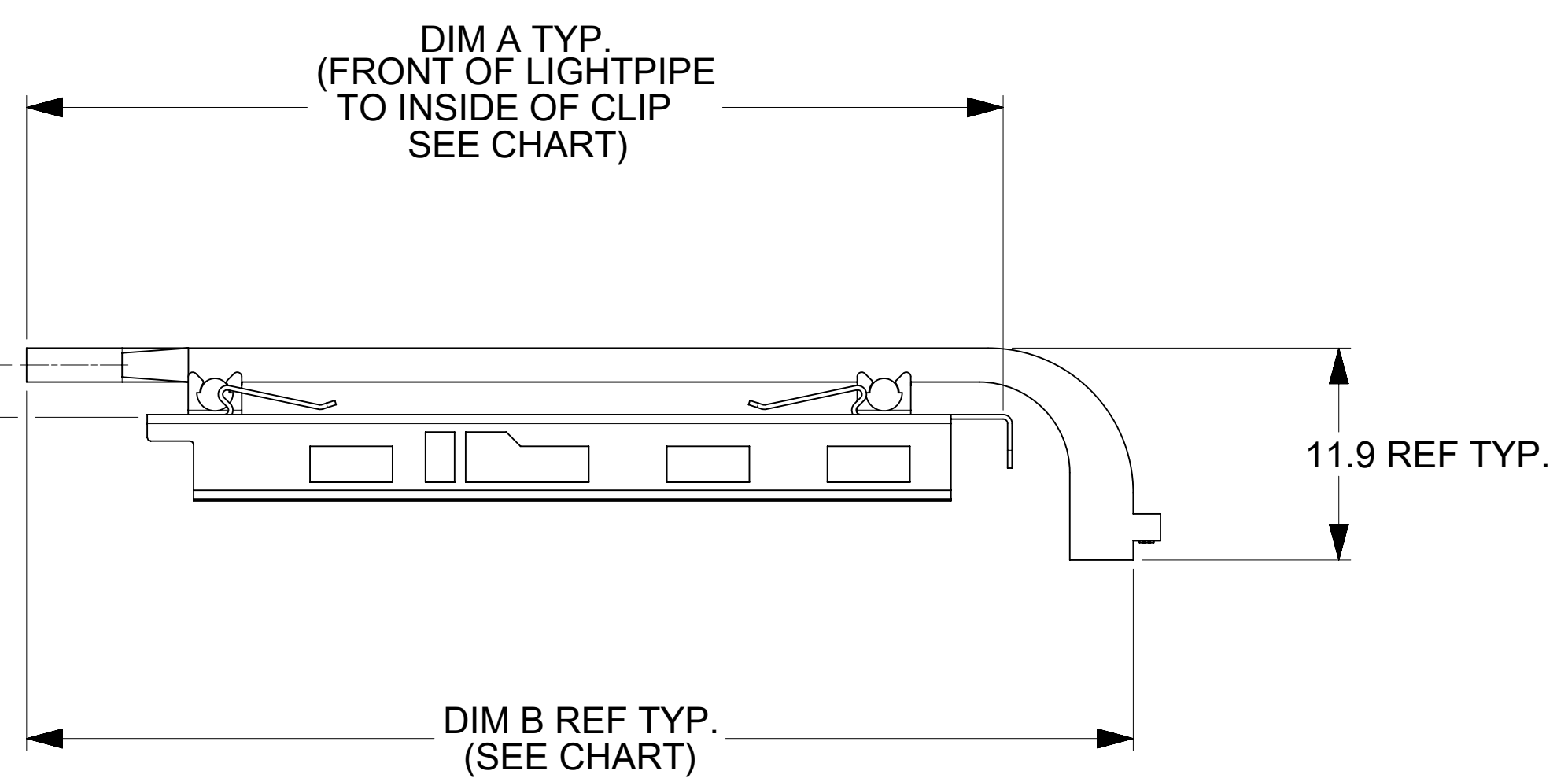
3.0 TYP
(INSIDE OF CLIP TO
CENTER OF LIGHT PIPE)



NONE OR SINGLE LIGHT PIPE
PER PORT
(747670403 SHOWN)



3.0 TYP
(INSIDE OF CLIP TO
CENTER OF LIGHT PIPE)



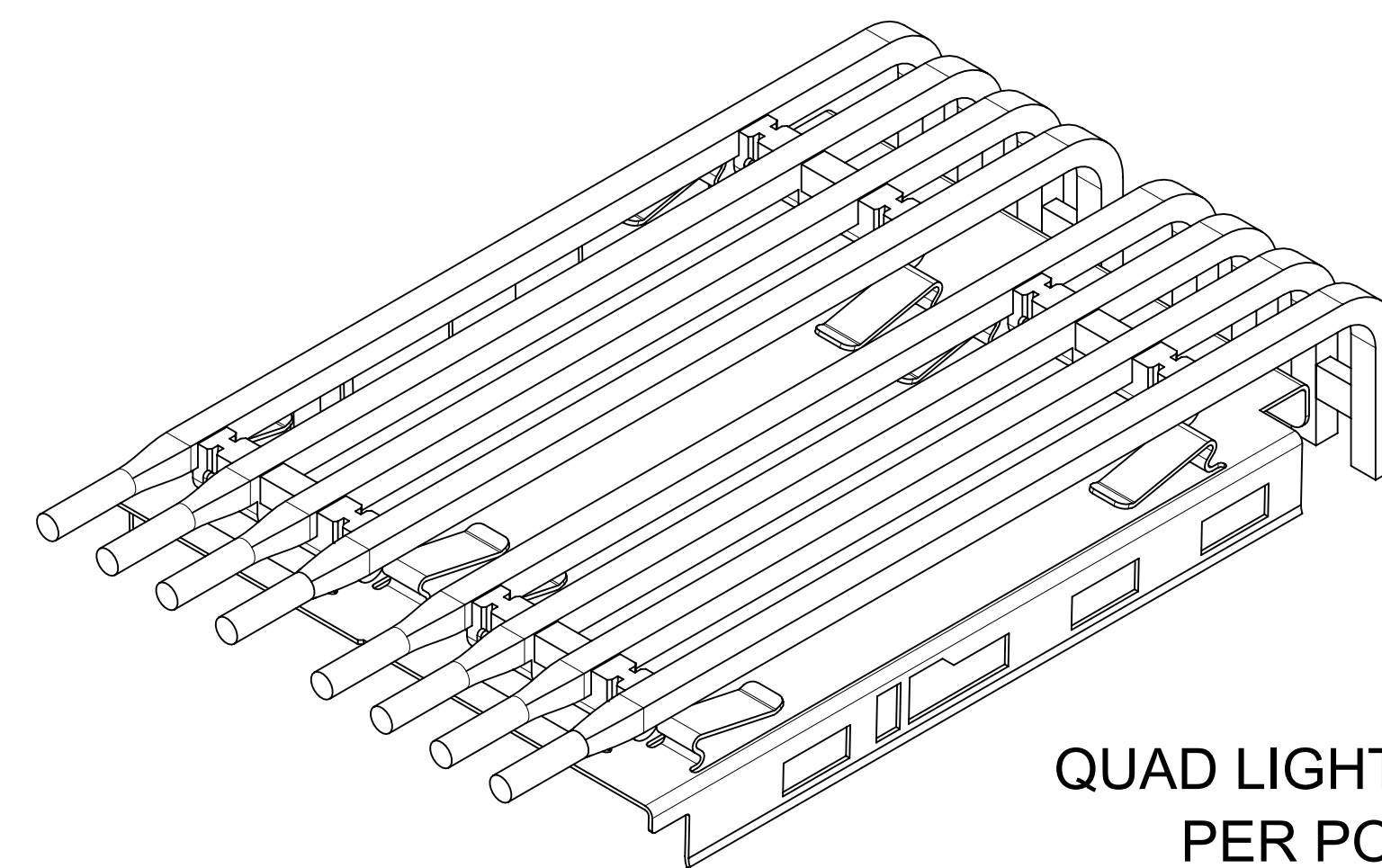
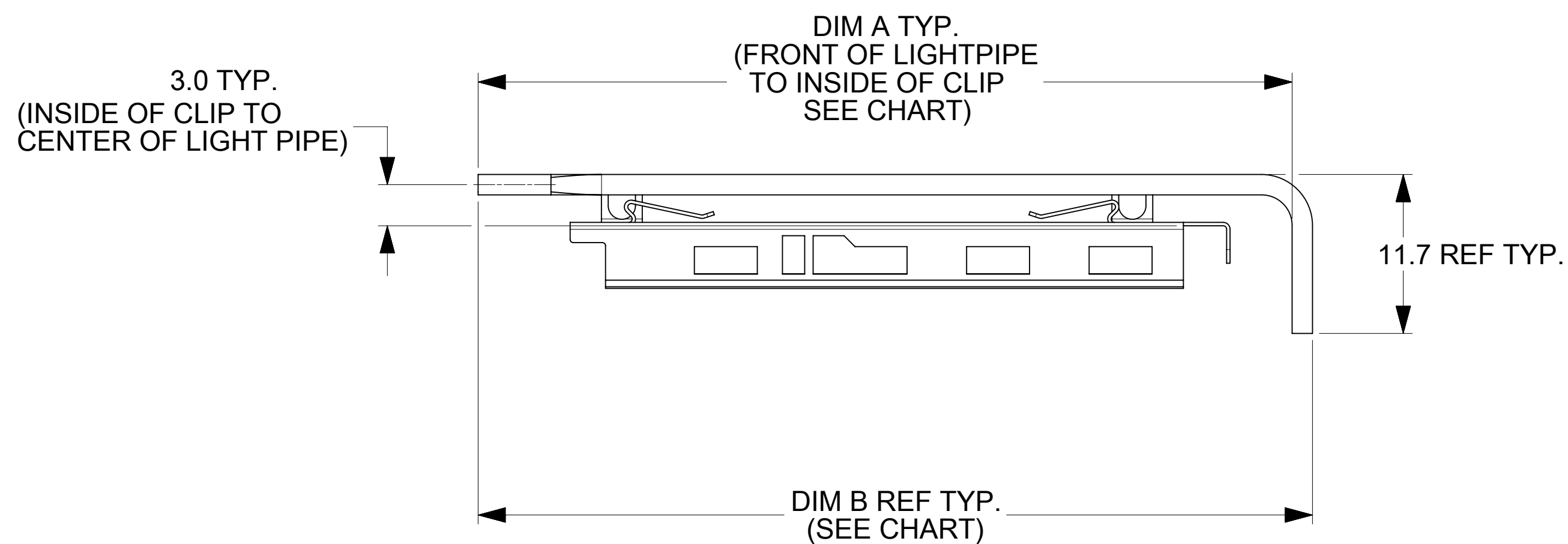
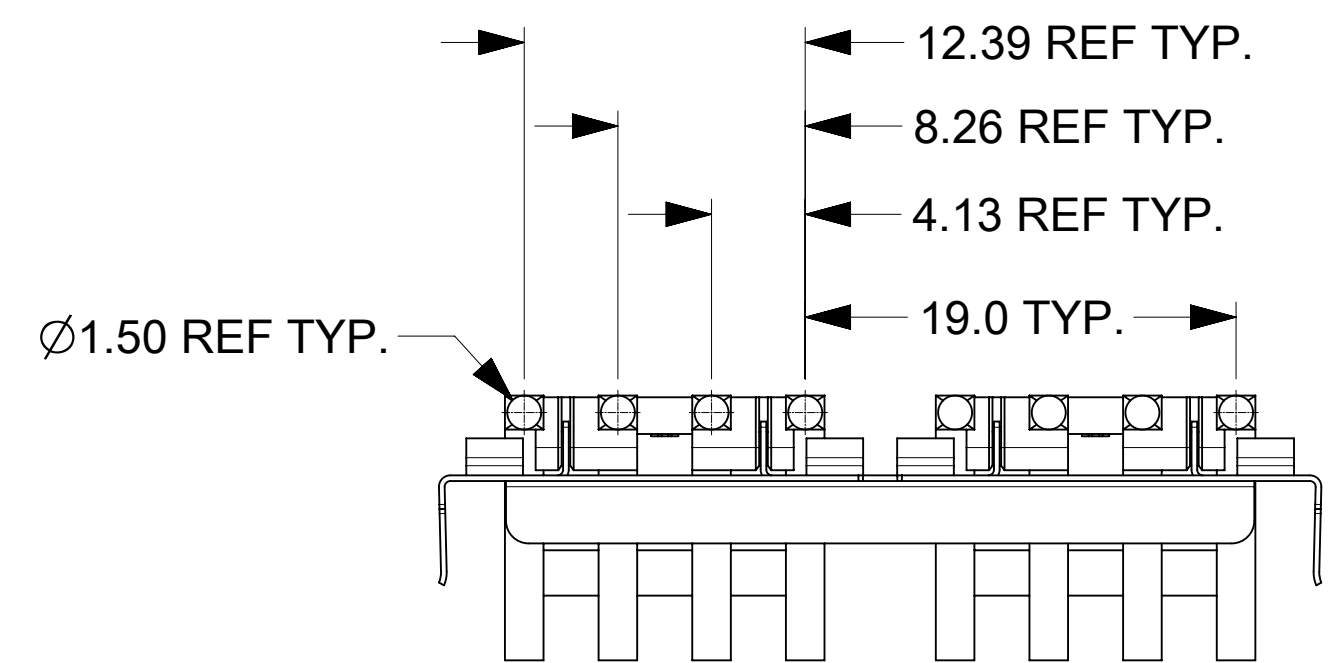
DUAL LIGHT PIPES
PER PORT
(747670404 SHOWN)

NOTES:

- MATERIALS:
LIGHT PIPE CLIP: STAINLESS STEEL
LIGHT PIPE: POLYCARBONATE (94-V0 RATED)
- PACKAGE: TRAY
- RECOMMENDED LED'S INCLUDE THE FOLLOWING MANUFACTURERS:
DIALIGHT: 597-77X1-5XX SERIES
CHICAGO MINIATURE: 7016 SERIES
KINGBRIGHT: APBL3025 SERIES (BICOLOR)
APL3015 SERIES (SINGLE COLOR)
- NO RoHS EXEMPTIONS

SEE CHART ON SHEET 3 FOR PART NUMBERS AND CHARTED DIMENSIONS

THIS DRAWING CONTAINS INFORMATION THAT IS PROPRIETARY TO MOLEX ELECTRONIC TECHNOLOGIES, LLC AND SHOULD NOT BE USED WITHOUT WRITTEN PERMISSION											
DIMENSION UNITS mm		SCALE 3:1		CURRENT REV DESC: OBSOLETE PART NUMBER AS PER PCN#509457.							
GENERAL TOLERANCES (UNLESS SPECIFIED)											
	MM		INCH	EC NO: 680890				1X2, 1X3, 1X4, 1X5, 1X6 QSFP+ HEAT SINKS AND CLIP ASSEMBLIES			
4 PLACES	±		±	DRWN: SANTHN 2021/07/20				PRODUCT CUSTOMER DRAWING			
3 PLACES	±		±	CHK'D: GGA 2021/11/25				DOCUMENT NUMBER			
2 PLACES	±	0.15	±	APPR: GGA 2021/11/25				DOC TYPE			
1 PLACE	±	0.25	±	INITIAL REVISION:				DOC PART			
0 PLACES	±		±	DRWN: BSWAJA 2012/02/09				REVISION			
ANGULAR TOL		± 0.5 °		APPR: KLOYD 2012/02/16				SD-74767-0400			
DRAFT WHERE APPLICABLE MUST REMAIN WITHIN DIMENSIONS		THIRD ANGLE PROJECTION		DRAWING		SERIES		MATERIAL NUMBER		CUSTOMER	
				D-SIZE		74767		SEE TABLE		GENERAL MARKET	
										SHEET NUMBER	
										2 OF 5	



QUAD LIGHT PIPES
PER PORT
(747670406 SHOWN)

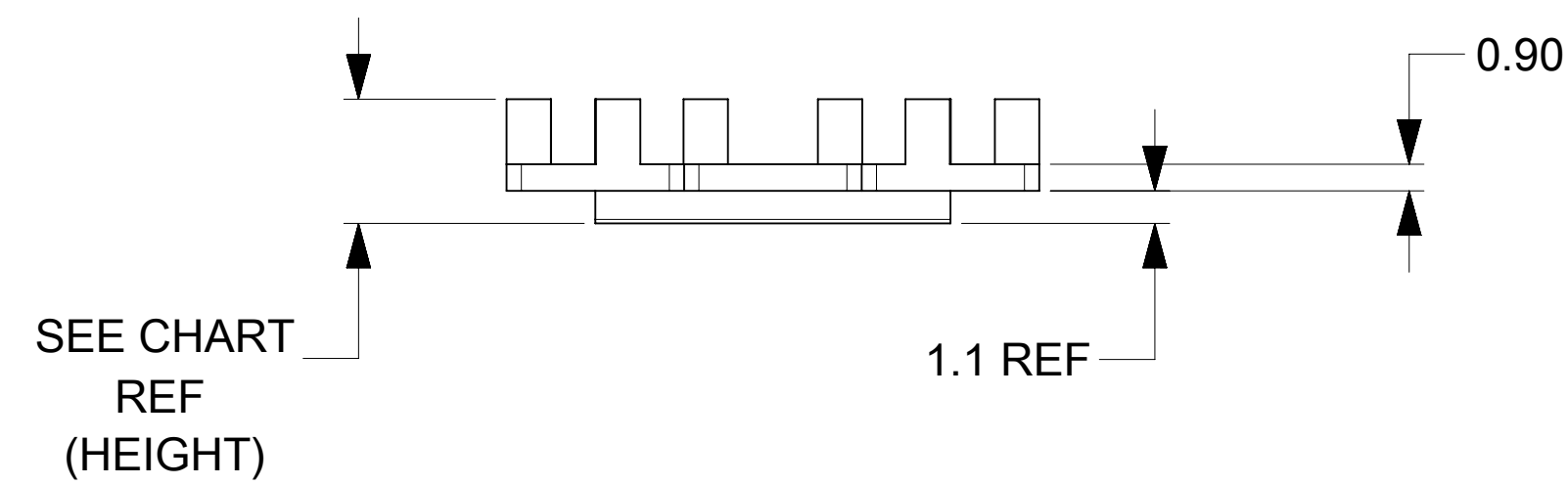
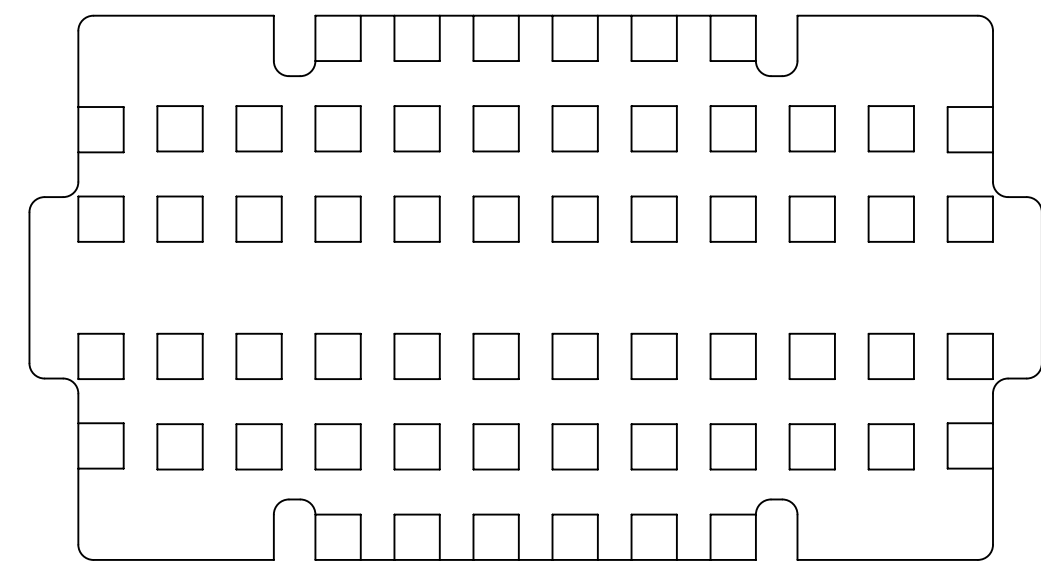
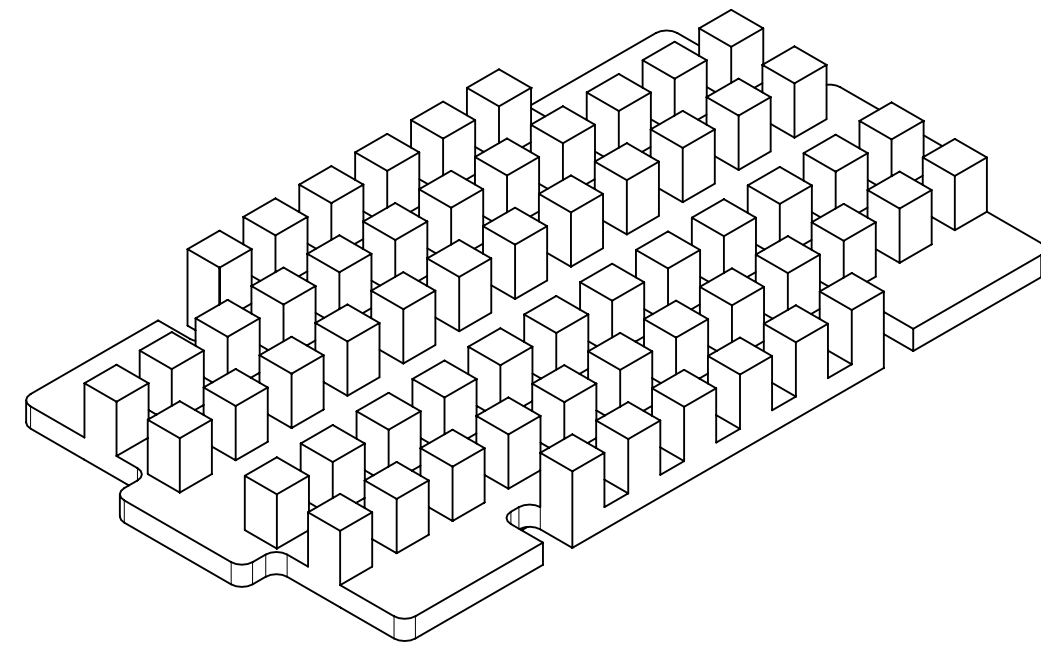
MOLEX PN CLIP & LP ASSEMBLY					DIM A	DIM B	LIGHT PIPES PER PORT
1X2	1X3	1X4	1X5	1X6			
747670403	747680403	747690403	747700403	747710403	55.0	62.0	NONE OR SINGLE
747670404	N/A	747690404	747700404	747710404	55.0	62.0	DUAL
747670406	N/A	N/A	N/A	N/A	55.0	61.3	QUAD

NOTES:

- MATERIALS:
LIGHT PIPE CLIP: STAINLESS STEEL
LIGHT PIPE: POLYCARBONATE (94-V0 RATED)
- PACKAGE: TRAY
- RECOMMENDED LED'S INCLUDE THE FOLLOWING MANUFACTURERS:
DIALIGHT: 597-77X1-5XX SERIES
CHICAGO MINIATURE: 7016 SERIES
KINGBRIGHT: APBL3025 SERIES (BICOLOR)
APL3015 SERIES (SINGLE COLOR)
- NO RoHS EXEMPTIONS

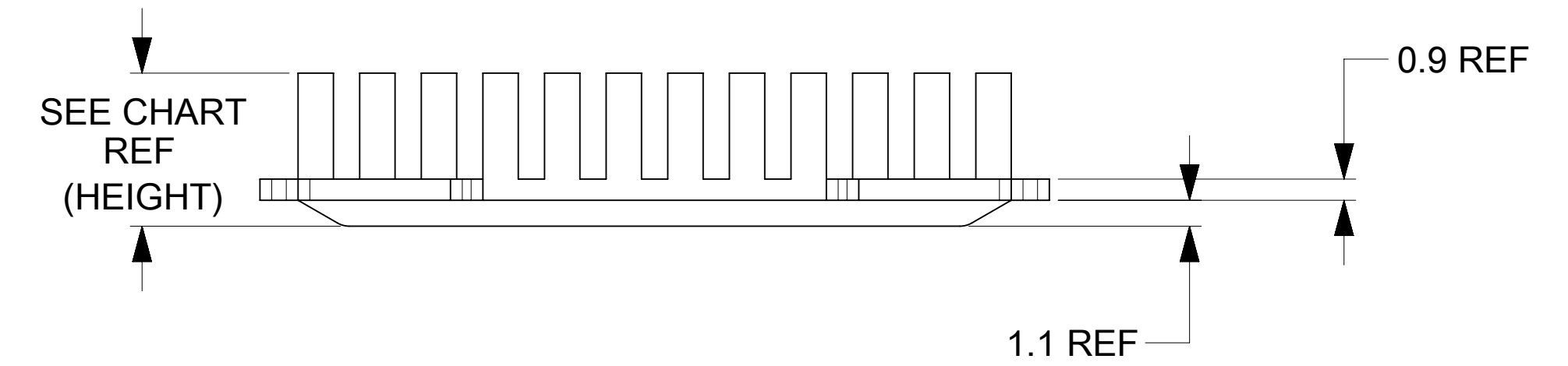
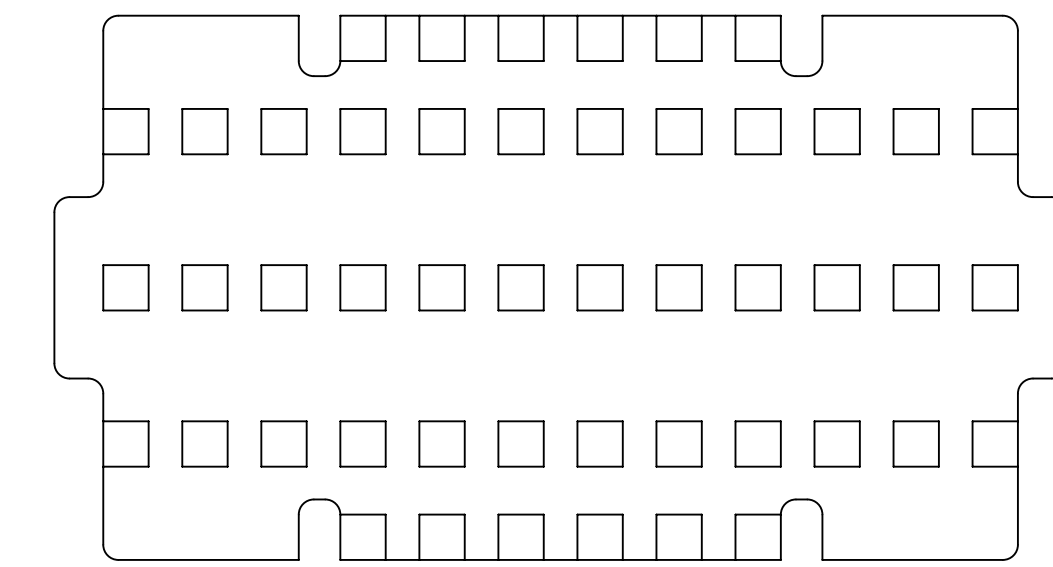
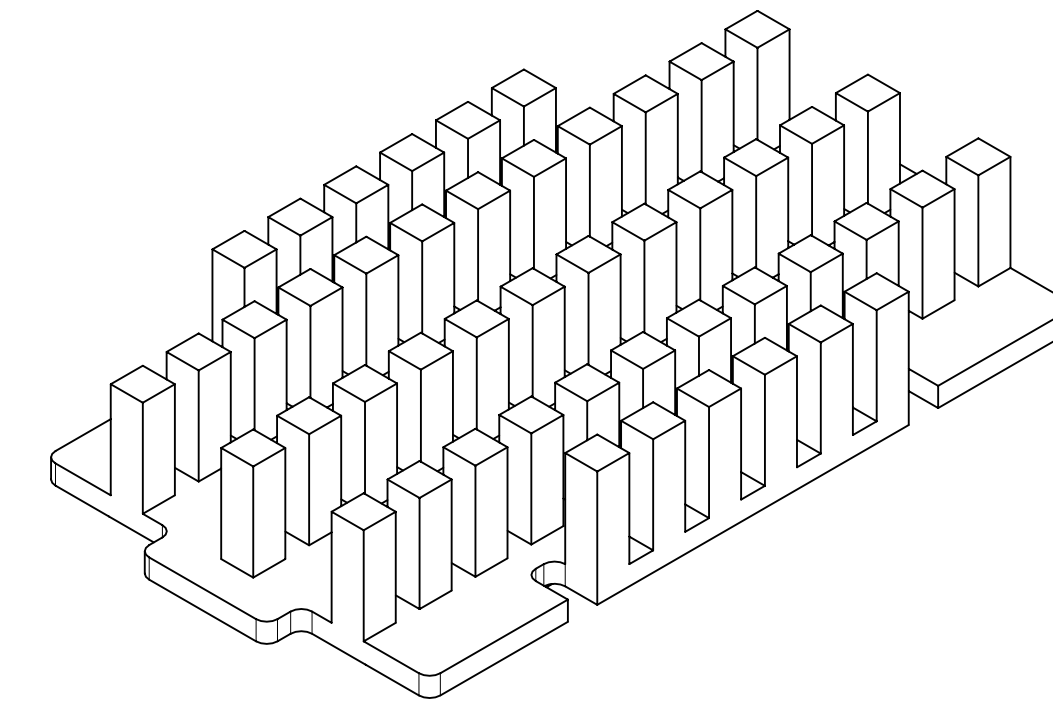
THIS DRAWING CONTAINS INFORMATION THAT IS PROPRIETARY TO MOLEX ELECTRONIC TECHNOLOGIES, LLC AND SHOULD NOT BE USED WITHOUT WRITTEN PERMISSION									
DIMENSION UNITS mm		SCALE 3:1		CURRENT REV DESC: OBSOLETE PART NUMBER AS PER PCN#509457.				molex	
GENERAL TOLERANCES (UNLESS SPECIFIED)				EC NO: 680890		2021/07/20			
		MM	INCH	DRWN: SANTHN		2021/11/25		1X2, 1X3, 1X4, 1X5, 1X6 QSFP+ HEAT SINKS AND CLIP ASSEMBLIES	
4 PLACES		±	±	CHK'D: GGA		2021/11/25		PRODUCT CUSTOMER DRAWING	
3 PLACES		±	±	APPR: GGA		2021/11/25		DOCUMENT NUMBER	
2 PLACES		± 0.15	±	INITIAL REVISION:		2012/02/09		SD-74767-0400	
1 PLACE		± 0.25	±	DRWN: BSWAJA		2012/02/16		PSD 001 G	
0 PLACES		±	±	APPR: KLOYD		2012/02/16		DOC TYPE DOC PART REVISION	
ANGULAR TOL		± 0.5 °		DRAFT WHERE APPLICABLE MUST REMAIN WITHIN DIMENSIONS		THIRD ANGLE PROJECTION		CUSTOMER	
				D-DRAWING		SERIES		SHEET NUMBER	
				D-SIZE		74767		3 OF 5	
				SEE TABLE		GENERAL MARKET			

NONE OR SINGLE LIGHT PIPES
PER PORT
(SAN HEIGHT - 747500314 SHOWN)



HEAT SINK

DUAL LIGHT PIPES
PER PORT
(SAN HEIGHT - 747500308 SHOWN)



MOLEX P/N			
NONE OR SINGLE LIGHT PIPE PER PORT	DUAL LIGHT PIPES PER PORT	SYSTEM TYPE	HEIGHT (mm)
747500314	747500315	PCI	4.2
-----	747500308	SAN	6.5
747500317	747500318	NET	13.5


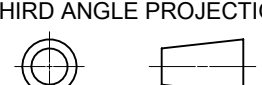
NOTES:

1. MATERIAL:
HEAT SINKS: BLACK ANNOXIDIZED ALUMINUM
2. PACKAGE: TRAY
3. CUSTOM HEATSINKS AVAILABLE UPON REQUEST.
4. NO RoHS EXEMPTIONS

THIS DRAWING CONTAINS INFORMATION THAT IS PROPRIETARY TO MOLEX ELECTRONIC TECHNOLOGIES, LLC AND SHOULD NOT BE USED WITHOUT WRITTEN PERMISSION AS PER PCN#509457.

DIMENSION UNITS mm	SCALE 4:1	CURRENT REV DESC: OBSOLETE PART NUMBER AS PER PCN#509457.		molex			
GENERAL TOLERANCES (UNLESS SPECIFIED)		EC NO: 680890					1X2, 1X3, 1X4, 1X5, 1X6 QSFP+ HEAT SINKS AND CLIP ASSEMBLIES
4 PLACES ±	±	DRWN: SANTHN 2021/07/20		PRODUCT CUSTOMER DRAWING			
3 PLACES ±	±	CHK'D: GGA 2021/11/25		DOCUMENT NUMBER			
2 PLACES ±	0.15 ±	APPR: GGA 2021/11/25		DOC TYPE			
1 PLACE ±	0.25 ±	INITIAL REVISION:		DOC PART			
0 PLACES ±	±	DRWN: BSWAJA 2012/02/09		REVISION			
ANGULAR TOL ±	0.5 °	APPR: KLOYD 2012/02/16		SD-74767-0400			
DRAFT WHERE APPLICABLE MUST REMAIN WITHIN DIMENSIONS		THIRD ANGLE PROJECTION	DRAWING	SERIES	MATERIAL NUMBER	CUSTOMER	SHEET NUMBER
			D-SIZE	74767	SEE TABLE	GENERAL MARKET	4 OF 5

DATE	REV	REVISION
2012/02/09	A	INITIAL RELEASE
2018/02/20	B	CORRECTED PN
2012/05/16	C	UPDATED VIEWS AND ADDED REVISION SHEET (PAGE 4)
2012/07/11	D	UPDATED 1X5 ASSEMBLY TO CHARTS ON PAGE 1& 2
2014/04/15	E	UPDATED TITLE BLOCK AND RoHS NOTE ON ALL SHEETS
		SHEET1: MADE ALL DIMENSIONS ON VIEW @ I 16 REF. REMOVED ALL DIMENSIONS ON VIEW @E9 AND ADDED 2.62 DIM @E6.
		SHEET2: DIMENSIONS @K19, K8, I11, G19, F20, E11, F8 ARE NOW REF. DIMENSIONS @K11 REMANMED TO DIM A. DIMENSIONS @I11 RENAMED TO DIM B. MOVED PART NUMBER TABLE TO SHEET 3.
		SHEET3: ADDED NEW SHEET 3 WITH PART NUMBER TABLE AND WITH VIEWS OF 747670406. PREVIOUS SHEET 3 AND 4 RENUMBERED TO SHEET 4 AND 5.
		SHEET4: REMOVED 0.025 DIMS AND 2.0 DIMS. 0.9 AND HEIGHT DIMENSIONS ARE NOW REF.
2016/02/26	F	SHEET4: C8: REMOVED 747500307 FROM THE TABLE AND REFER TO 747500353 PSD ASY FOR UPDATED DRAWING. K15: CHANGED ISO VIEW TO747500314 FOR SHOWN.
2021/07/20	G	REMOVED OBSOLETED P/N 747680404, 747670405.

THIS DRAWING CONTAINS INFORMATION THAT IS PROPRIETARY TO MOLEX ELECTRONIC TECHNOLOGIES, LLC AND SHOULD NOT BE USED WITHOUT WRITTEN PERMISSION											
DIMENSION UNITS		SCALE		CURRENT REV DESC: OBSOLETED PART NUMBER AS PER PCN#509457.							
mm		1:1									
GENERAL TOLERANCES (UNLESS SPECIFIED)											
		MM	INCH								
4 PLACES	±		±								
3 PLACES	±		±								
2 PLACES	±	0.15	±								
1 PLACE	±	0.25	±								
0 PLACES	±		±								
ANGULAR TOL		± 0.5 °									
DRAFT WHERE APPLICABLE MUST REMAIN WITHIN DIMENSIONS				THIRD ANGLE PROJECTION		DRAWING		SERIES		SHEET NUMBER	
						D-SIZE		74767		5 OF 5	
DOCUMENT STATUS		P1		RELEASE DATE		2021/11/25 12:19:19		DOCUMENT NUMBER		REVISION	
SD-74767-0400		PSD		001		G		1X2, 1X3, 1X4, 1X5, 1X6 QSFP+ HEAT SINKS AND CLIP ASSEMBLIES		PRODUCT CUSTOMER DRAWING	
SEE TABLE		GENERAL MARKET									