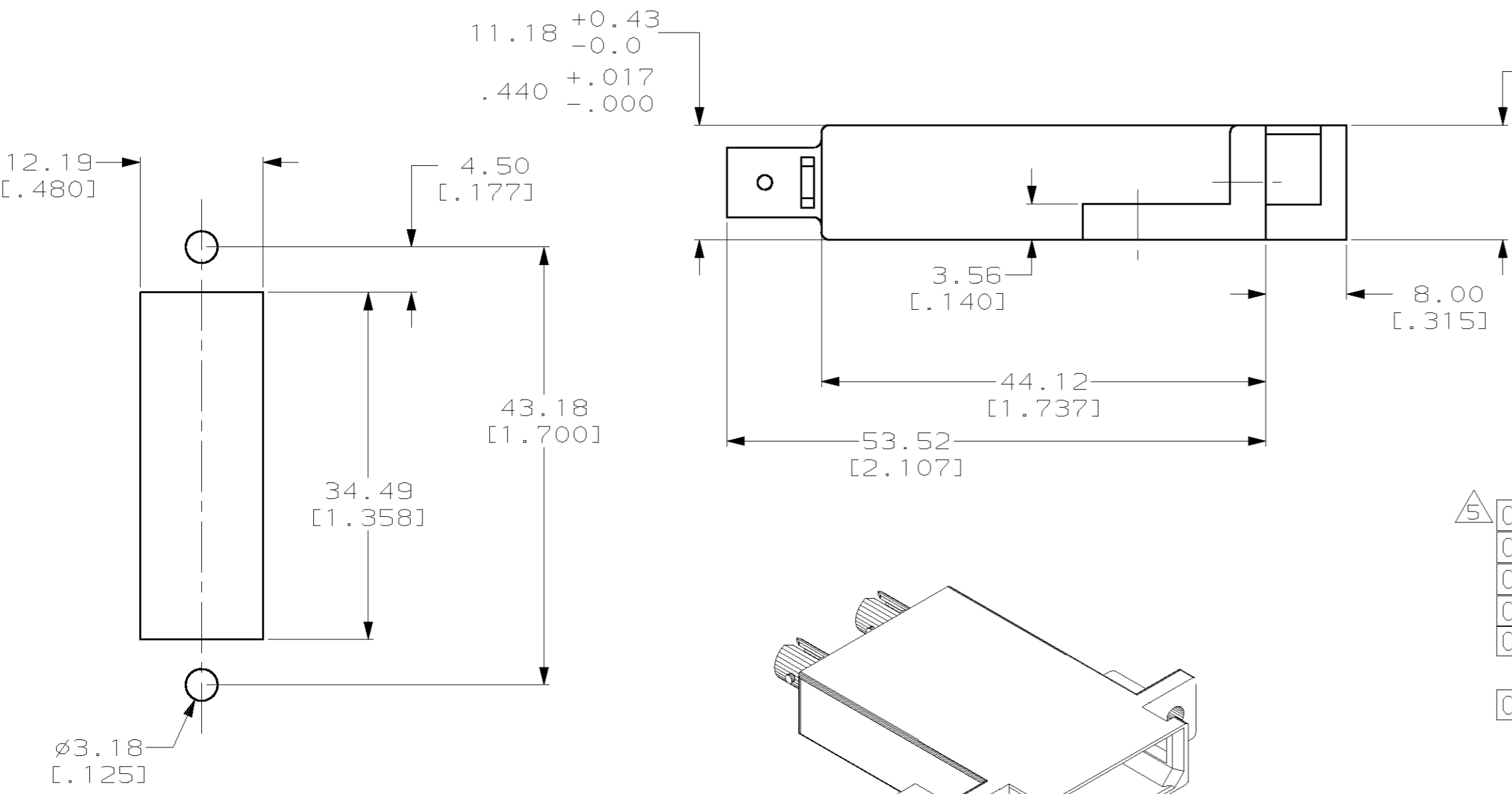
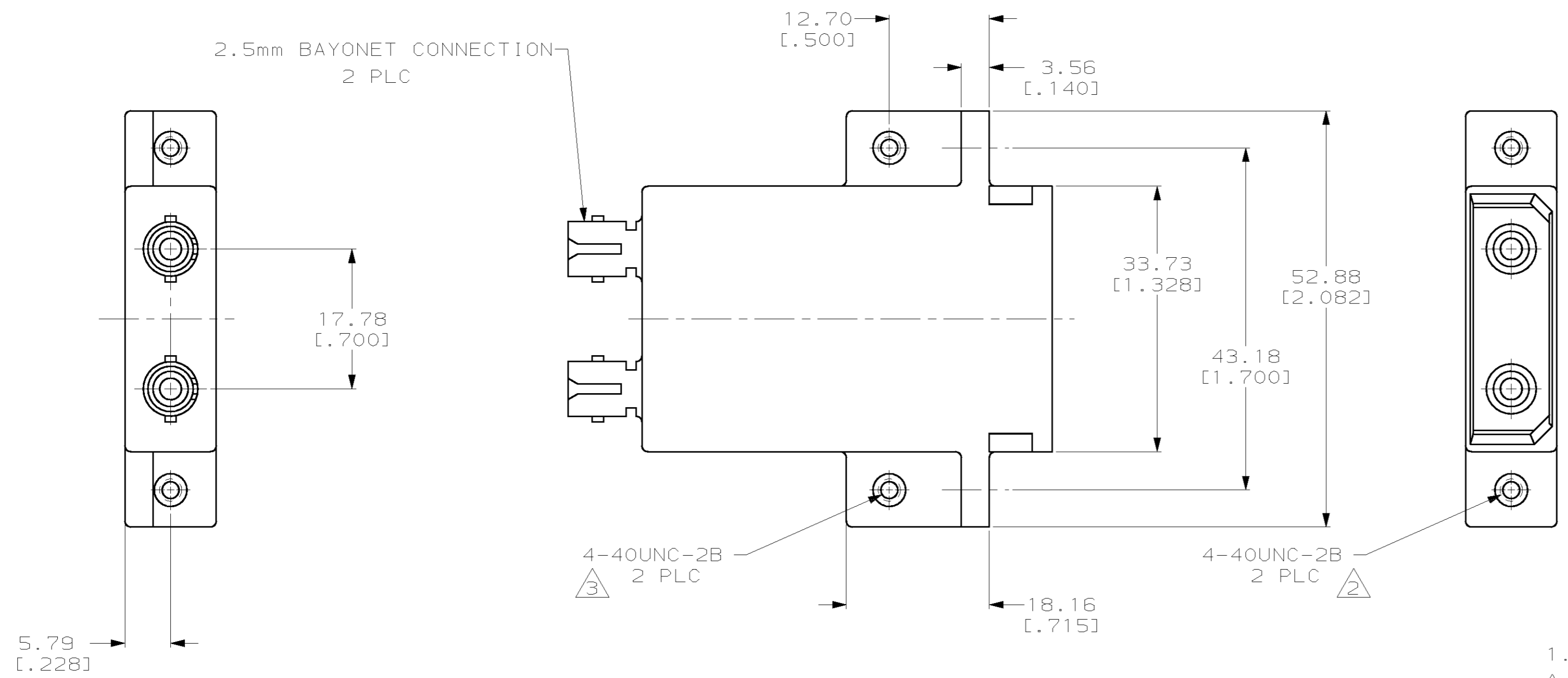
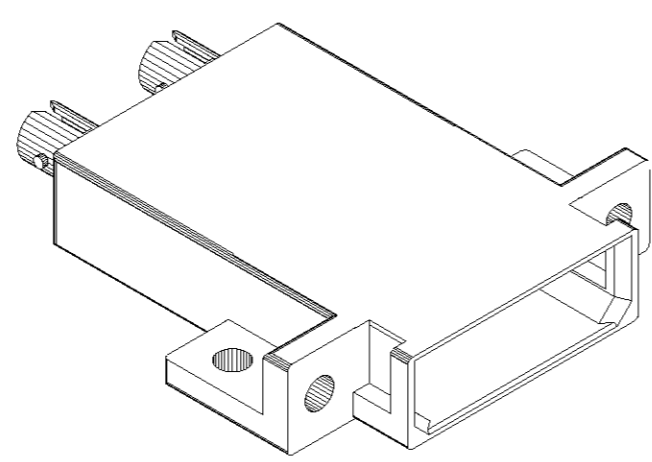


LOC	DIST	REVISIONS			
P	LTR	DESCRIPTION	DATE	DWN	APVD
CE	16	K	REVISED PER 0A00-0588-03	26MAR04	KG SB



1. DIMENSIONS IN [] ARE IN INCHES.
- ② THREADED INSERTS IN PANEL MOUNT ONLY.
- ③ THREADED INSERTS IN BOARD MOUNT ONLY.
- ④ THREADED INSERTS IN BOTH PANEL AND BOARD MOUNTING EARS.
- ⑤ DUST COVERS INCLUDED, NOT SHOWN.

⑤ OBSOLETE	CERAMIC	②	BLACK	502826-7
OBSOLETE	METAL	②	BLACK	502826-6
OBSOLETE	CERAMIC	④	BLACK	502826-5
OBSOLETE	CERAMIC	③	BLACK	502826-4
OBSOLETE	CERAMIC	③	BEIGE	502826-3
OBSOLETE	CERAMIC	②	BLACK	502826-2
OBSOLETE	CERAMIC	②	BEIGE	502826-1



SUGGESTED MOUNTING PATTERN

ALIGNMENT SLEEVE	THREADED INSERTS	COLOR	PART NUMBER
THIS DRAWING IS A CONTROLLED DOCUMENT.			
DWN R.HILEMAN 20MAY91		AMP Incorporated Harrisburg, PA 17105-3608	
CHK W.SAVITSKY 150CT91		AMP	
APVD S.OWENS 150CT91		NAME ADAPTER ASSEMBLY, WITH #4-40 THREADS, RSD TO 2.5mm BAYONET	
PRODUCT SPEC -		SIZE A2	
APPLICATION SPEC -		CAGE CODE 00779	
MATERIAL PES MOLDING COMPOUND		DRAWING NO C-502826	
FINISH -		RESTRICTED TO -	
WEIGHT -		SCALE 2:1	
CUSTOMER DRAWING		SHEET 1 OF 1	
		REV K	