

THIS DRAWING IS UNPUBLISHED.

RELEASED FOR PUBLICATION

---

LOC

DIST

REVISIONS

© COPYRIGHT - By -

ALL RIGHTS RESERVED.

FT

0

P

LTR

DESCRIPTION

DATE

DWN

APVD

G1

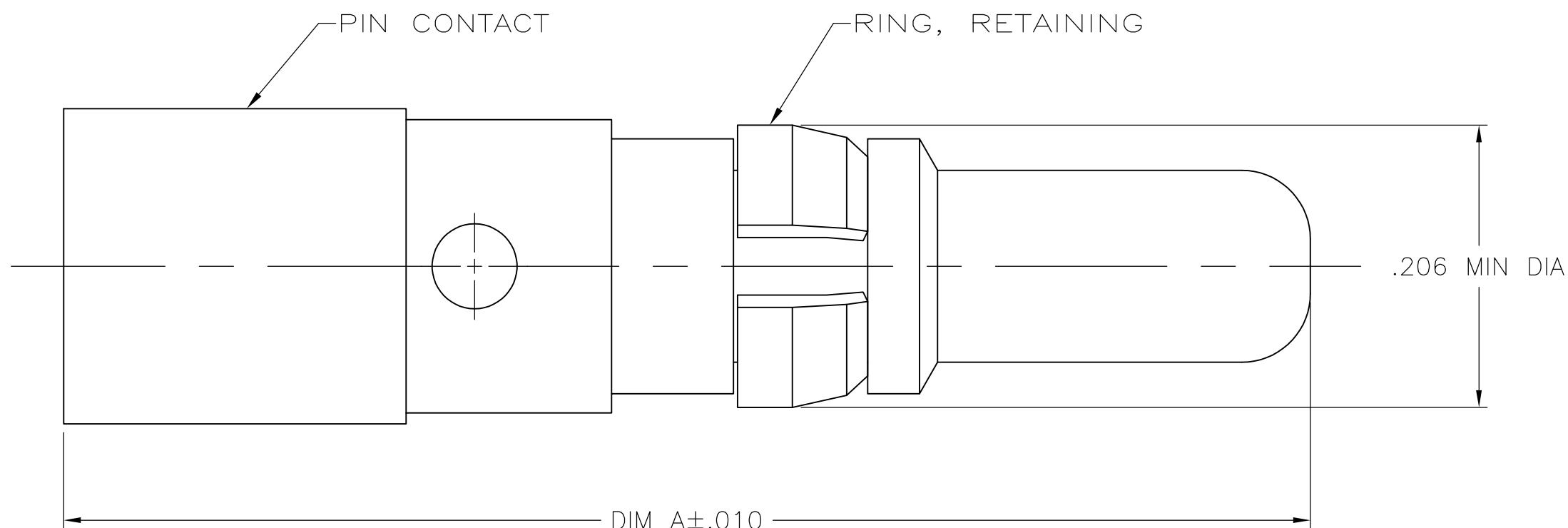
REVISED PER ECO-13-009250

27JUN13

KH

MZ

- 1 WIRE BARREL WILL ACCEPT 8 AWG WIRE.
- 2 PLATED WITH .000200 MINIMUM SILVER OVER .000050 MINIMUM NICKEL.
- 3 PLATED WITH .000030 MINIMUM GOLD OVER .000050 MINIMUM NICKEL.
- 4 RETAINING RING: PHOSPHOR BRONZE  
PIN CONTACT: BRASS
- 5 PLATED WITH .000100 MINIMUM NICKEL.



OBSOLETE	.950	3	213552-3
	.910	3	213552-2
OBSOLETE	-	2	213552-1
	DIM A	CONTACT FINISH	PART NO.

THIS DRAWING IS A CONTROLLED DOCUMENT.		DWN J LIPPERT 12-19-88	<b>STE</b> TE Connectivity		
DIMENSIONS: INCHES		CHK J McCLINTON 12-19-88			
TOLERANCES UNLESS OTHERWISE SPECIFIED:		APVD -	NAME		
0 PLC ± -		PRODUCT SPEC -	PIN CONTACT ASSEMBLY, POWER V111, METRIMATE		
1 PLC ± -		APPLICATION SPEC -	SIZE	CAGE CODE	DRAWING NO
2 PLC ± -		WEIGHT -	A3	00779	C-213552
3 PLC ± .005			RESTRICTED TO		
4 PLC ± -			-		
ANGLES ± -			SCALE	SHEET	REV
MATERIAL			10:1	1 OF 1	G1
4		FINISH PIN CONTACT: SEE TABLE RETAINING RING: 5	CUSTOMER DRAWING		