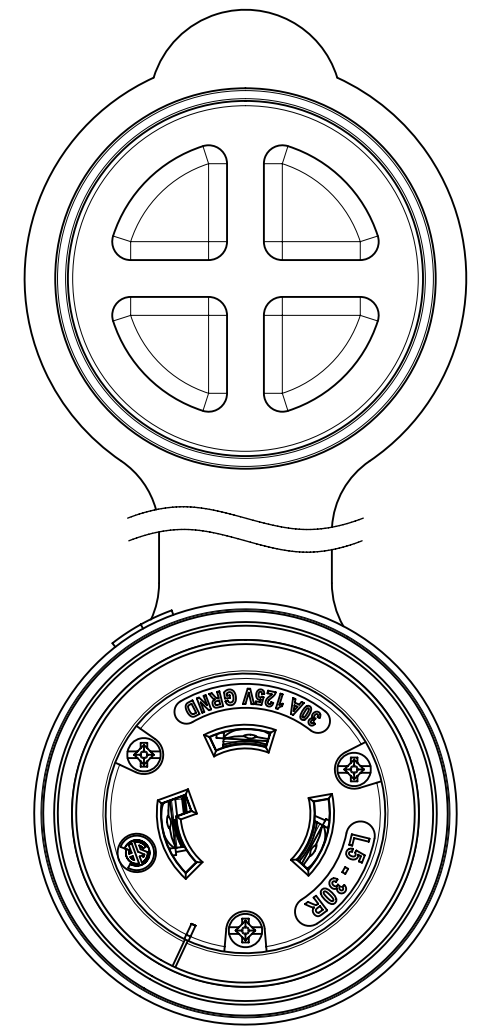
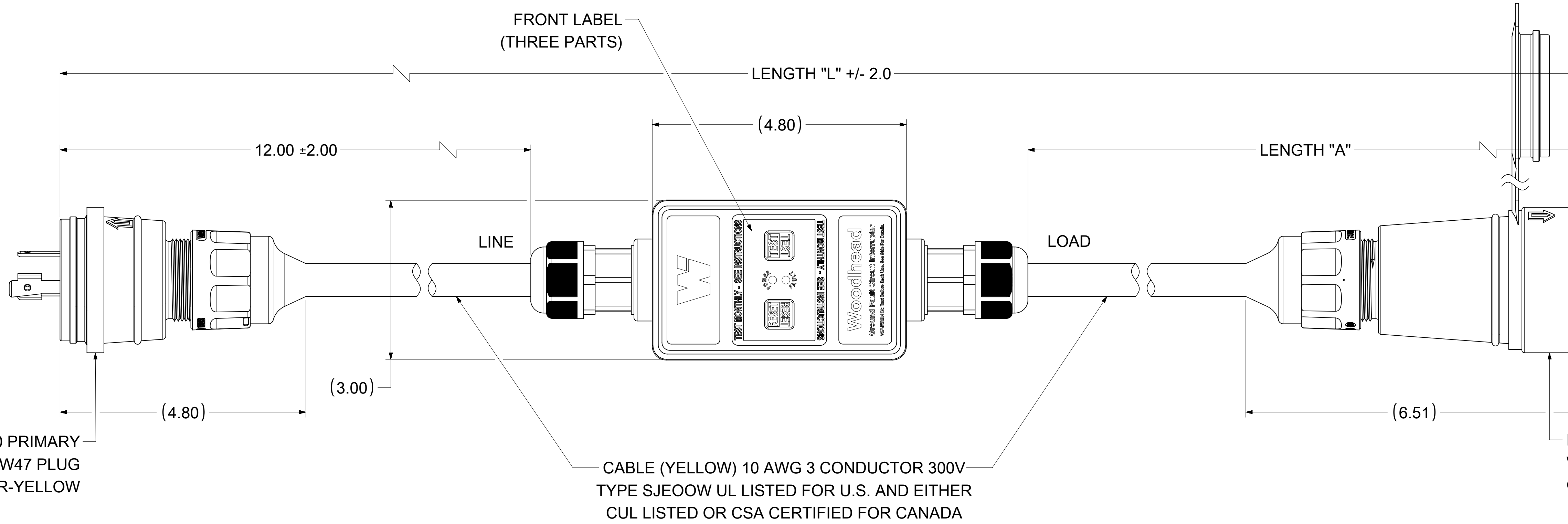


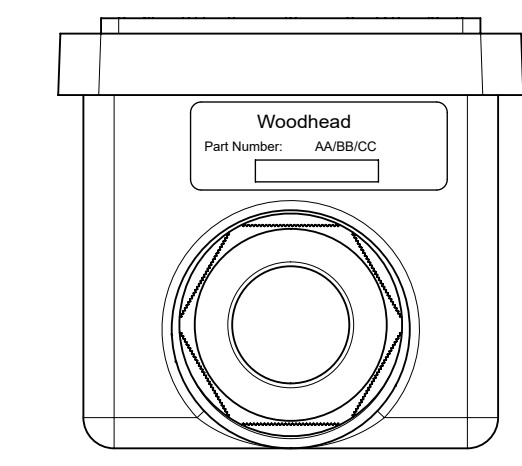
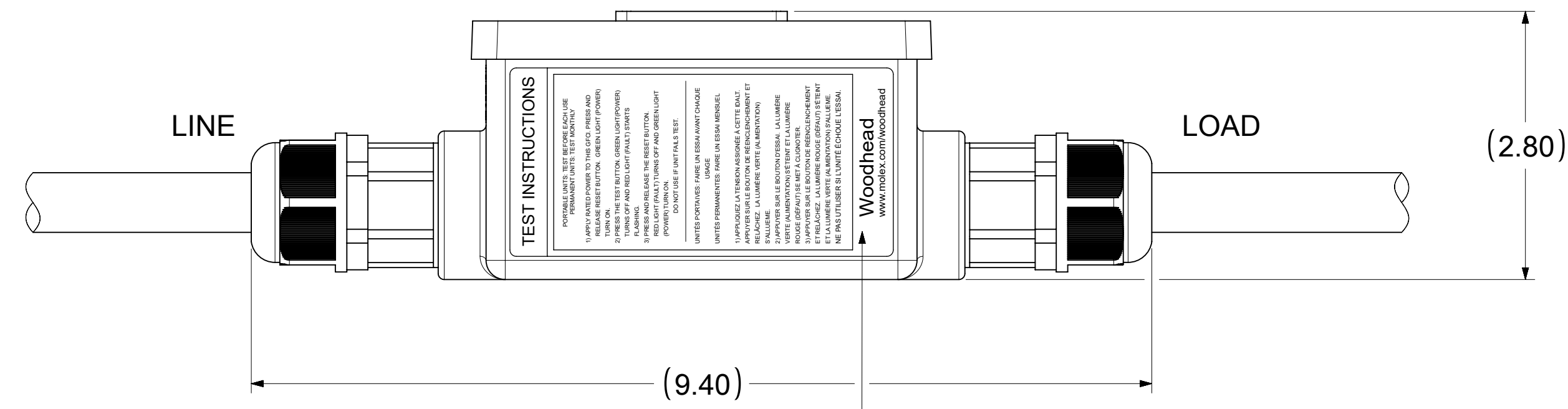
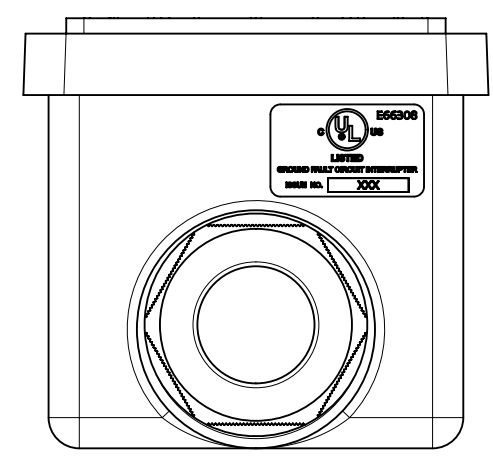
NEMA L5-30 PRIMARY
WOODHEAD #28W47 PLUG
COLOR-YELLOW



NEMA L5-30 SECONDARY
WOODHEAD #29W47 CONNECTOR
COLOR-YELLOW



CABLE (YELLOW) 10 AWG 3 CONDUCTOR 300V
TYPE SJEOOW UL LISTED FOR U.S. AND EITHER
CUL LISTED OR CSA CERTIFIED FOR CANADA



TEST INSTRUCTIONS LABEL

TECHNICAL

LISTED: UL & CSA
 RATED SUPPLY VOLTAGE: 120VAC
 RATED CURRENT: UP TO 30 AMPS
 RESET TYPE: AUTOMATIC OR MANUAL
 OPERATING FREQUENCY: 60 Hz
 TYPE: CLASS A
 GROUND TRIP CURRENT: 5mA +/- 1mA
 OVERLOAD CURRENT: 180 AMPS, 0.45PF
 INSULATION VOLTAGE: 1,500 VRMS - 1 MINUTE
 ENDURANCE OPERATIONS: 3000 OPERATIONS
 ENCLOSURE: NEMA 4X/6P

MATERIAL NO.	ENGINEERING NO.	LENGTH "L"	LENGTH "A"	POWER-UP
1301530174	30052-1A	2 FT 9.4 IN.	1 FT	AUTO
1301530179	30052-6A	7 FT 9.4 IN.	6 FT	AUTO
1301530176	30052-25A	26 FT 9.4 IN.	25 FT	AUTO
1301530175	30052-1M	2 FT 9.4 IN.	1 FT	MANUAL
1301530180	30052-6M	7 FT 9.4 IN.	6 FT	MANUAL
1301530177	30052-25M	26 FT 9.4 IN.	25 FT	MANUAL

FUNCTIONAL SYMBOLS $\nabla_A = 0$ $\nabla_C = 0$ $\nabla_P = 0$ DIVISIONAL SYMBOLS	THIS DRAWING CONTAINS INFORMATION THAT IS PROPRIETARY TO MOLEX ELECTRONIC TECHNOLOGIES, LLC AND SHOULD NOT BE USED WITHOUT WRITTEN PERMISSION		SCALE: INCH NTS		CURRENT REV DESC: UPDATED LENGTH "L" IN THE TABLE.	
	GENERAL TOLERANCES (UNLESS SPECIFIED)		EC NO: 672829 DRWN: PPURSTANDEL 2021/08/06 CHK'D: DNGUYEN62 2021/08/18 APPR: HKNEELAND 2021/08/31			
	ANGULAR TOL ± °		INITIAL REVISION: DRWN: PPURSTANDEL 2021/07/01 APPR: HKNEELAND 2021/07/30			
DRAFT WHERE APPLICABLE MUST REMAIN WITHIN DIMENSIONS		THIRD ANGLE PROJECTION	DRAWING D-SIZE	SERIES 130153	MATERIAL NUMBER SEE TABLE	CUSTOMER GENERAL MARKET
DOCUMENT NUMBER 1301530174		DOC TYPE PSD	DOC PART 000	REVISION A1	PRODUCT CUSTOMER DRAWING	
SHEET NUMBER 1 OF 1						