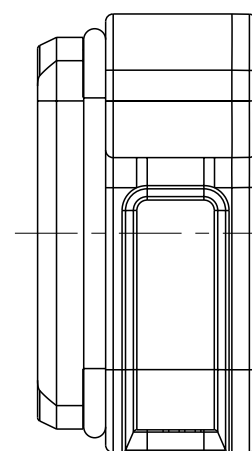
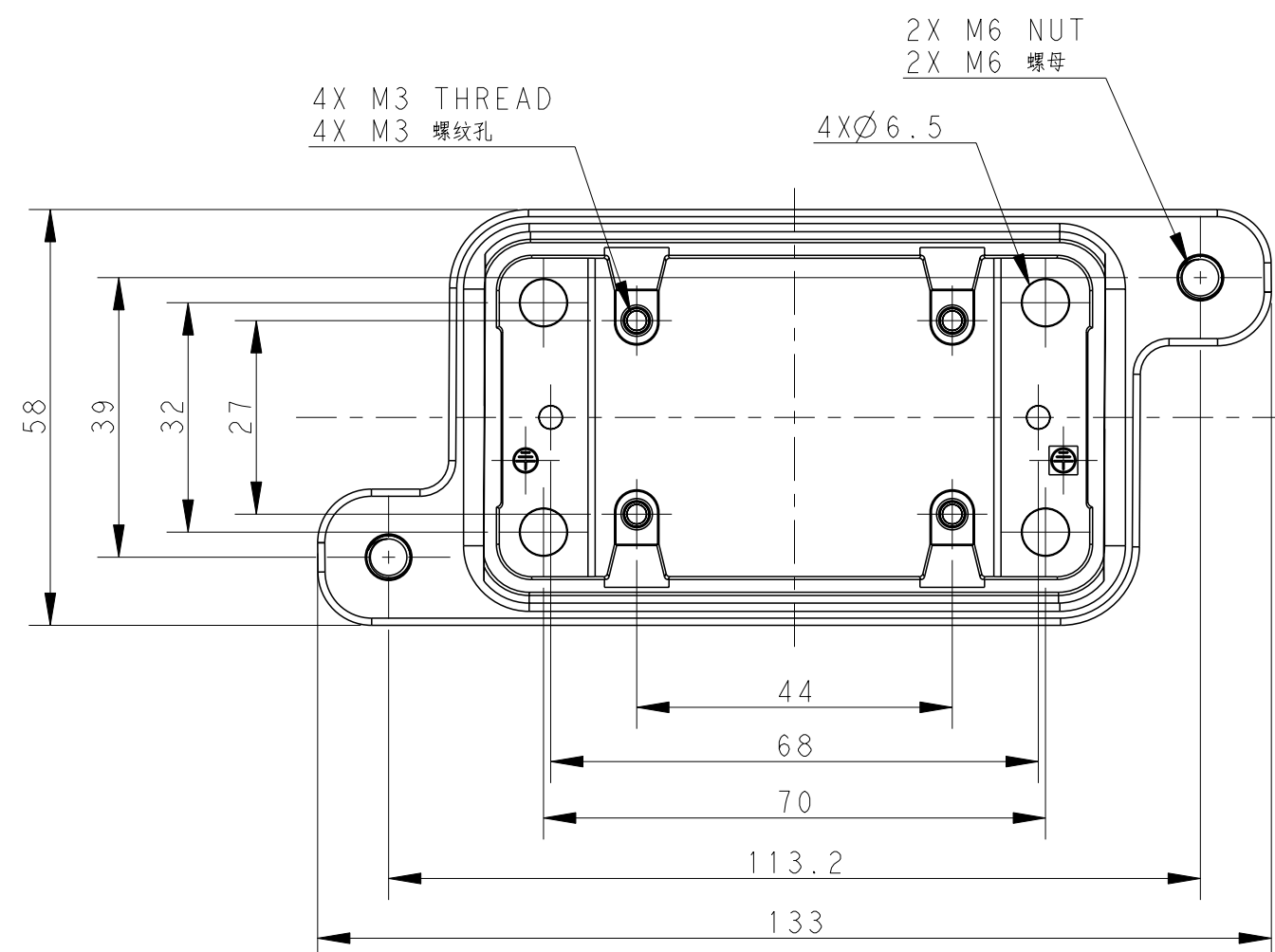


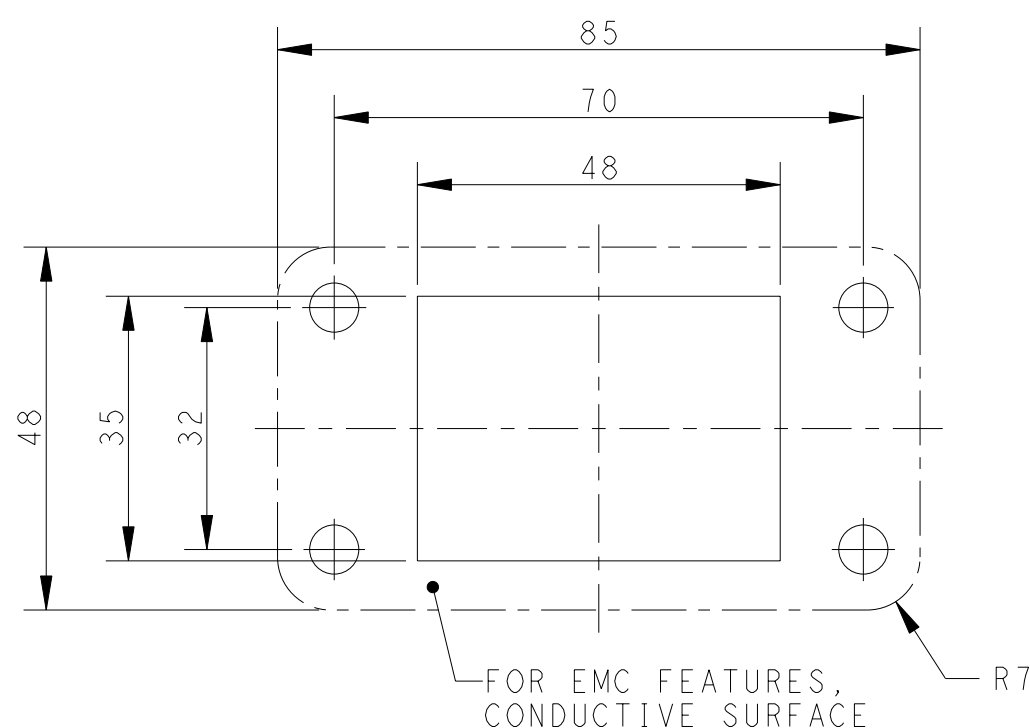
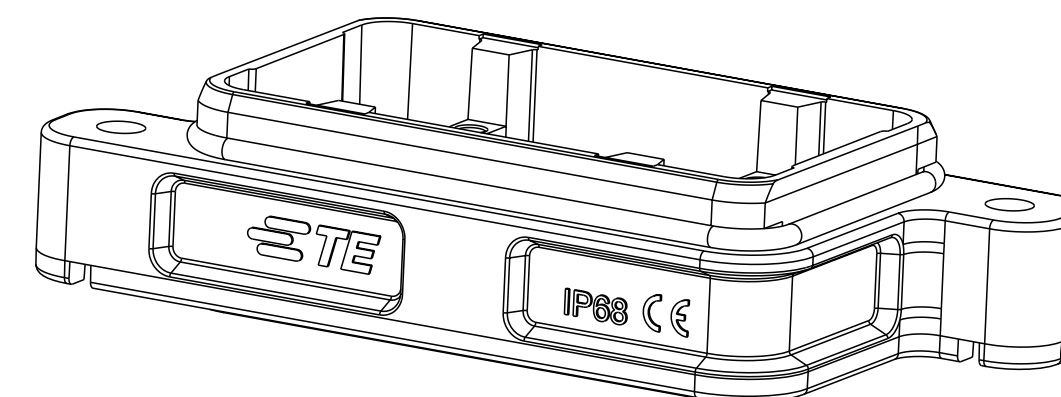
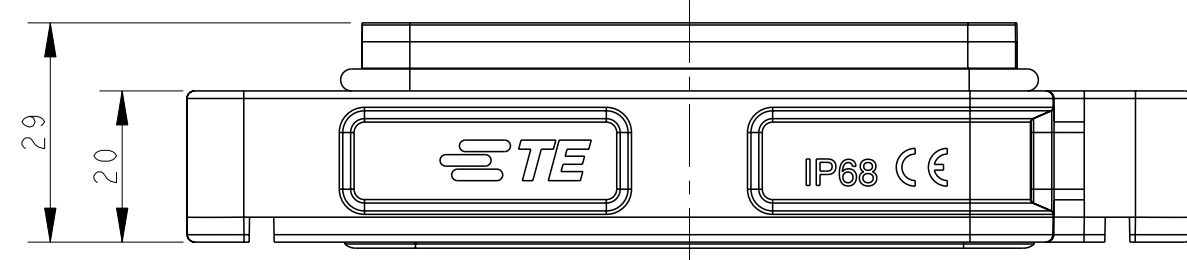
THIS DRAWING IS UNPUBLISHED. RELEASED FOR PUBLICATION 20
 © COPYRIGHT 20 BY - ALL RIGHTS RESERVED.

REVISIONS					
P	LTR	DESCRIPTION	DATE	DWN	APVD
A		INITIAL RELEASE	24SEP2016	DW	CW
B		ECR-20-016312	03JUN2021	BS	CW



NOTES:
 1. TECHNICAL CHARACTERISTICS:
 HOUSING MATERIAL: DIE CAST ALUMINIUM ALLOY
 SURFACE: SEE TABLE
 DEGREE OF PROTECTION: IP68 (MATED)

注释:
 1. 技术参数:
 壳体材料: 铝合金
 表面处理: 见表格
 防护等级: IP68 (配合)



Panel Cut Out Dimension, Only for Reference
 面板开口尺寸, 仅供参考

T1930062000-009	H6BPR-AG-EMC-C	H6BPR HOUSING, DIAGONAL LOCKING, BULKHEAD MOUNTED, POWDER COATED, GREY H6BPR 对角锁定开孔下壳 灰色
T1930061000-009	H6BPR-AG-EMC-C	H6BPR HOUSING, DIAGONAL LOCKING, BULKHEAD MOUNTED, POWDER COATED, SILVER WHITE H6BPR 对角锁定开孔下壳 银白色
T1930060000-009	H6BPR-AG-EMC-C	H6BPR HOUSING, DIAGONAL LOCKING, BULKHEAD MOUNTED, POWDER COATED, BLACK H6BPR 对角锁定开孔下壳 黑色

PART NUMBER 料号	PART DESCRIPTION 描述
-------------------	------------------------

THIS DRAWING IS A CONTROLLED DOCUMENT.		DWN 24SEP2016 DAVID WANG	TE Connectivity	
DIMENSIONS: mm		CHK 24SEP2016 CHRIS WANG		
TOLERANCES UNLESS OTHERWISE SPECIFIED:		APVD 24SEP2016 XIANG XU	NAME H6BPR-AG-EMC-C	
0 PLC ±-		PRODUCT SPEC	SIZE	
1 PLC ±-		108-137191	CAGE CODE	
2 PLC ±-		APPLICATION SPEC	DRAWING NO	
3 PLC ±-		114-137191	RESTRICTED TO	
4 PLC ±-		WEIGHT	SCALE 1:1	
ANGLES ±-		CUSTOMER DRAWING	SHEET 1 OF 1	
FINISH		REV B		