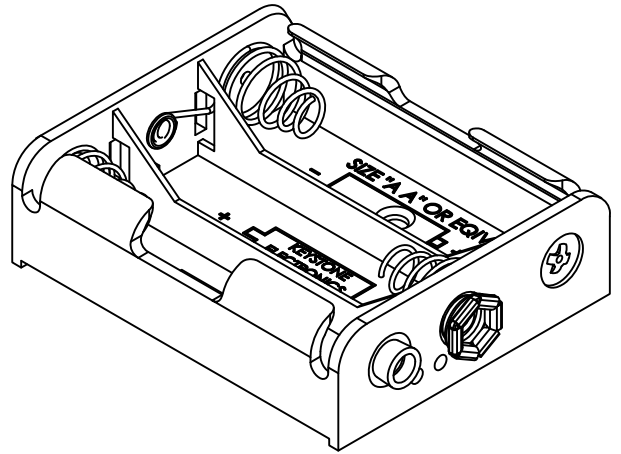
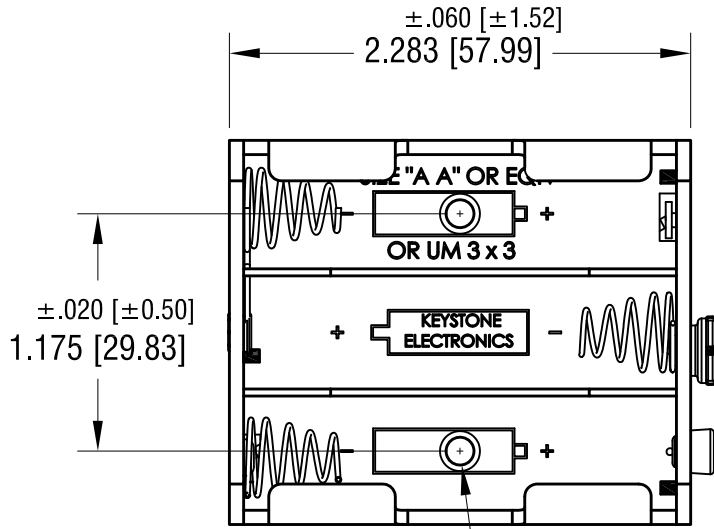
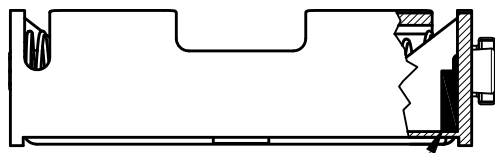


THIS DOCUMENT IS THE PROPERTY OF KEYSTONE ELECTRONICS CORP. AND SHALL NOT BE REPRODUCED, DISTRIBUTED OR USED AS A BASIS FOR MANUFACTURE WITHOUT PRIOR WRITTEN PERMISSION FROM KEYSTONE ELECTRONICS CORP.

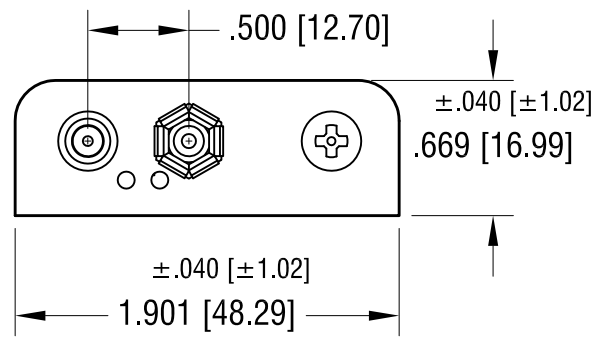


±.006 [±0.15]
Ø.138 [Ø3.51] (2) PLS HOLE WITH LEADING CHAMFER

B1



BATTERY POLARITY TAB (3) PLS



NOTE:

1. HOLDER: MAT'L: POLYPROPYLENE
2. SPRING: MAT'L: MUSIC WIRE, .027 [0.70] DIA.
3. SNAP-ON CONTACT: MAT'L: BRASS

| | | |
|----------|--|------|
| 6.13.22 | (B1) WAS .130±.005 CHANGE AS PER ECN 22-092 | B |
| 11.18.99 | CHANGE AS PER ECN 99-093 | A |
| DATE | DESCRIPTION | REV. |

| | | | |
|--|------------------------------------|-----------------|-----------------|
| KEYSTONE ELECTRONICS CORP. | | | |
| www.keyelco.com • NEW HYDE PARK, NY 11040 • Tel (516) 328-7500 | | | |
| PART NAME BATTERY HOLDER WITH SNAP-ON , (3)'AA' | | | |
| MATERIAL AS NOTED | | | |
| FINISH AS NOTED | | DRN BY BOONE | DATE 5.03.96 |
| | | APP'D LN | SCALE 1X |
| TOLERANCES DECIMAL ANGULAR | INCH [MM] ±.015 [±0.38] ± 1° | CODE C | DWG NO. 2475 |
| UNLESS OTHERWISE SPECIFIED | | | |