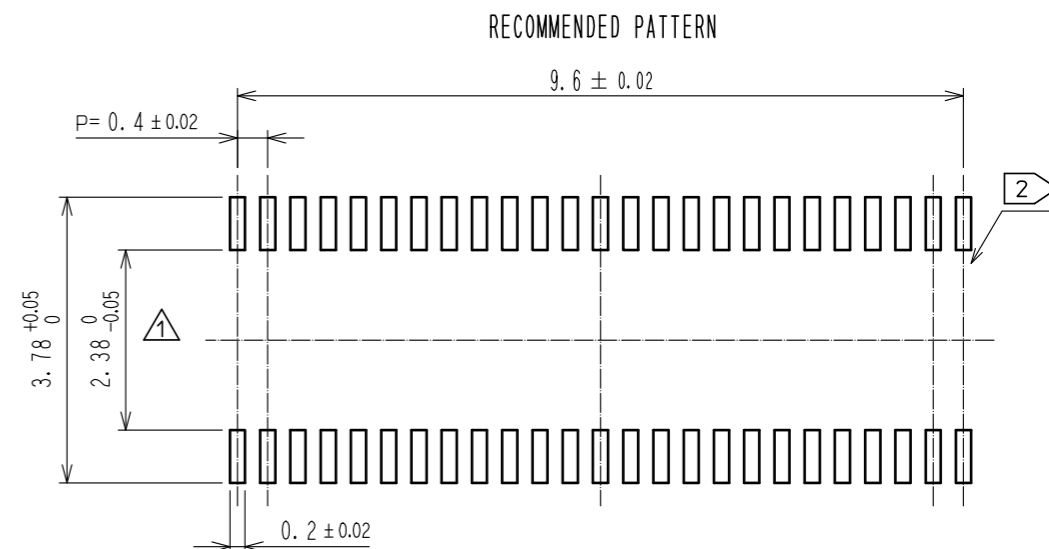
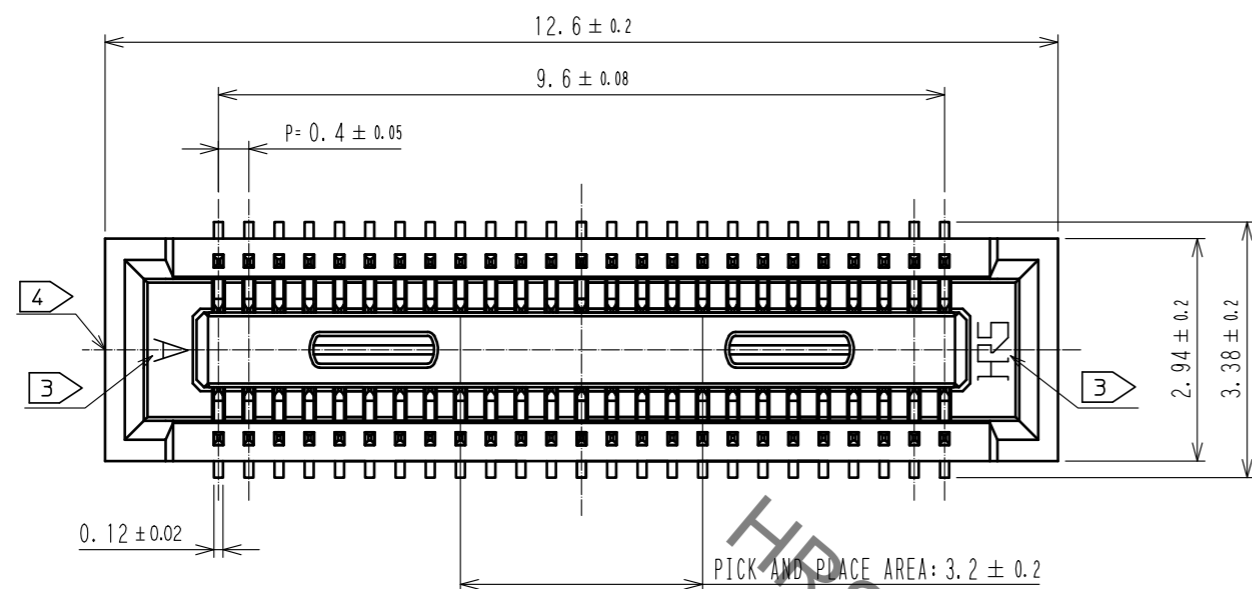
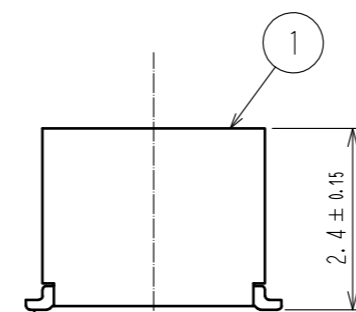
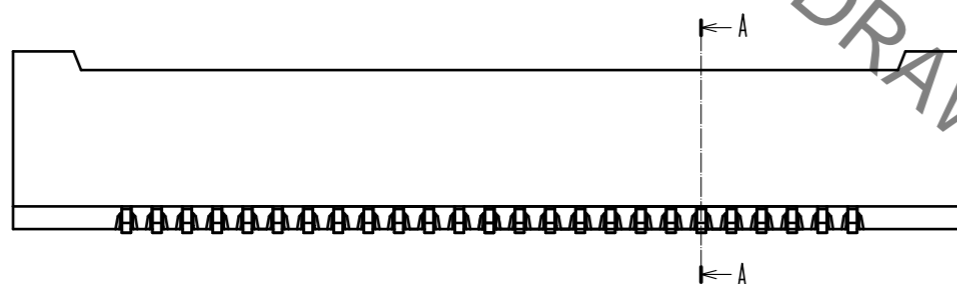


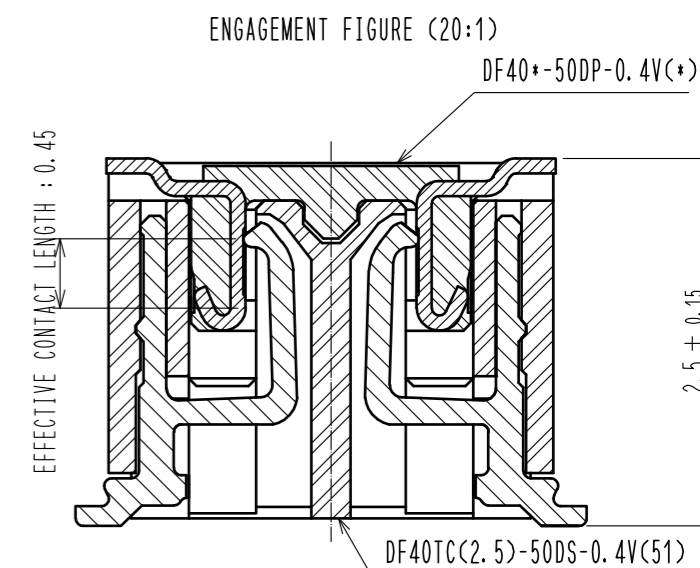
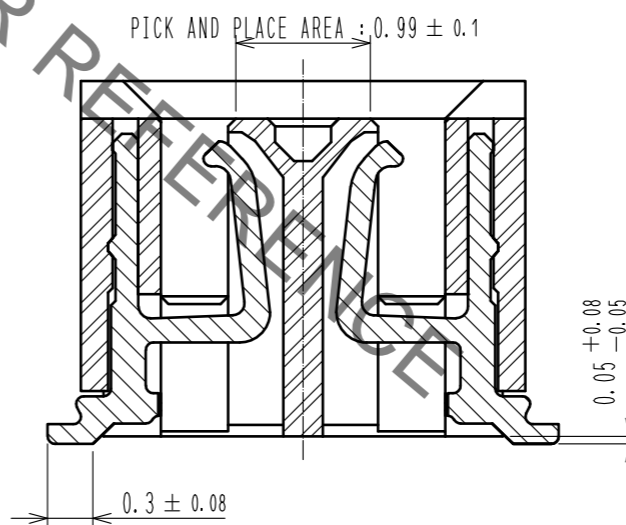
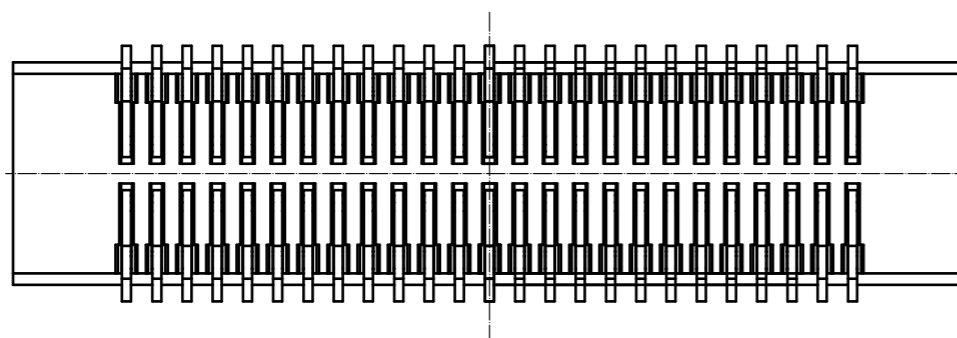
May.1.2023 Copyright 2023 HIROSE ELECTRIC CO., LTD. All Rights Reserved.  
In case of consideration for using Automotive equipment / device which demand high reliability, kindly contact our sales window correspondents.



RECOMMENDED METAL MASK THICKNESS : 120 μm  
RECOMMENDED METAL MASK OPENING RATIO : 80% FOR LEAD PAD



A-A(20:1)



NOTE 1. ALL LEADS CO-PLANARITY SHALL BE 0.1 MAX.



3 HRS MARK AND CAV NO. IS INDICATED IN APPROXI POSITION SHOWN.

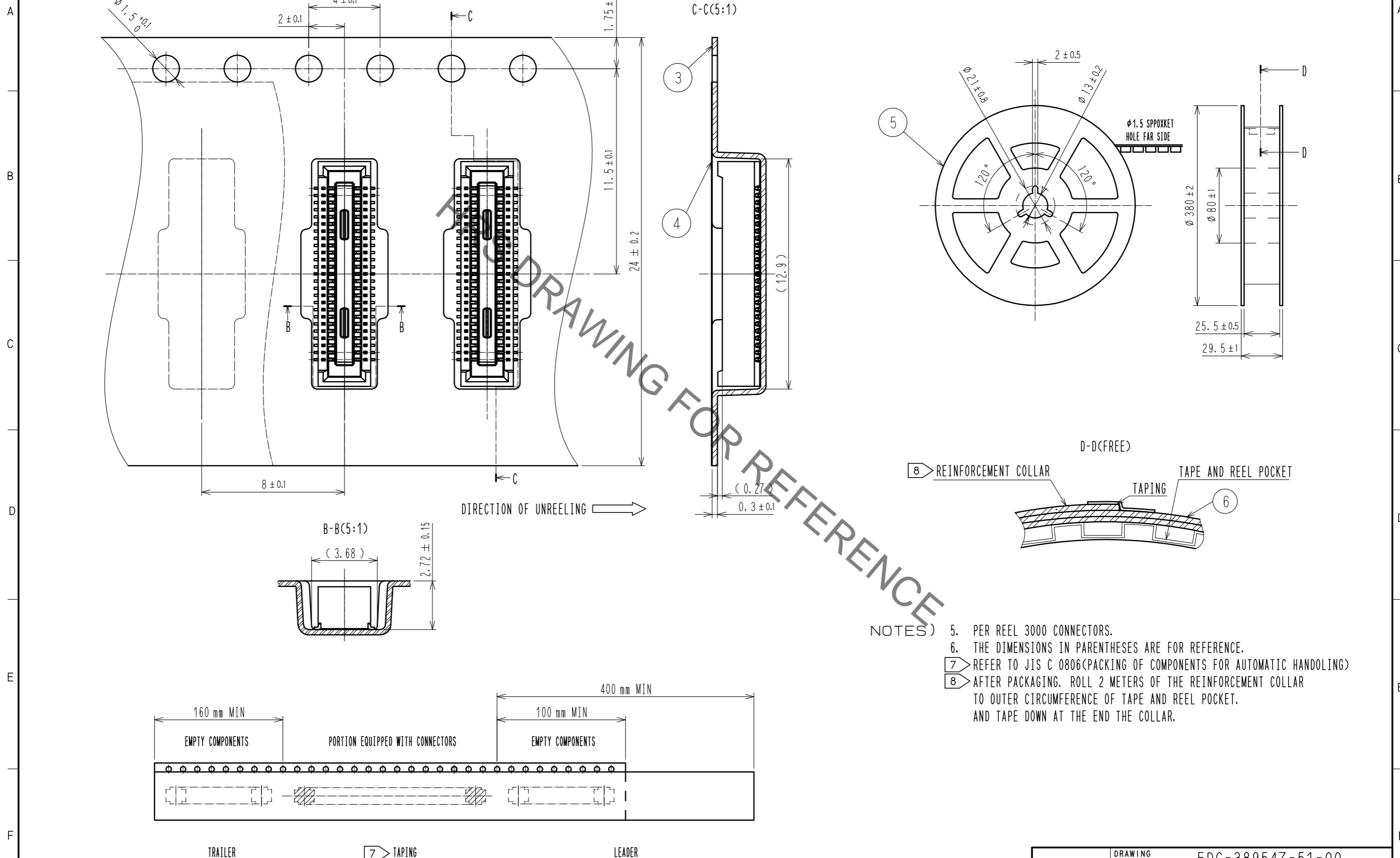
4 GATE POSITION IS POSITIONED IN APPROXIMAL AREA SHOWN.

2	COPPER ALLOY	CONTACT AREA: GOLD 0.05 μm MIN	5	PS	BLACK			
		SMT LEAD: GOLD 0.05 μm MIN						
		UNDERPLATING: NICKEL 1 μm MIN						
1	LCP	BLACK, UL94V-0	3	PS	CLEAR, EMBOSSED CARRIER TAPE			
NO.	MATERIAL	FINISH . REMARKS	NO.	MATERIAL	FINISH . REMARKS			
UNITS mm		SCALE 10 : 1	COUNT 2	DESCRIPTION OF REVISIONS DIS-H-00014229		DESIGNED YK. SATAKE	CHECKED RT. SHIMIZU	DATE 20220623
<b>HRS</b> HIROSE ELECTRIC CO., LTD.		APPROVED : WR. FUKUCHI 20200115	DRAWING NO. EDC-389547-51-00					
		CHECKED : TS. MIYAZAKI 20200115	PART NO. DF40TC(2.5)-50DS-0.4V(51)					
		DESIGNED : YK. SATAKE 20200115	CODE NO. CL0684-4279-0-51					
		DRAWN : YK. SATAKE 20200115						

May.1.2023 Copyright 2023 HIROSE ELECTRIC CO., LTD. All Rights Reserved.  
 In case of consideration for using Automotive equipment / device which demand high reliability, kindly contact our sales window correspondents.

EMBOSSED CARRIER TAPE PAACKAGING (5:1)

STYLE AND DIMENSION OF REEL (FREE)



- NOTES)
5. PER REEL 3000 CONNECTORS.
  6. THE DIMENSIONS IN PARENTHESES ARE FOR REFERENCE.
  7. REFER TO JIS C 0806(PACKING OF COMPONENTS FOR AUTOMATIC HANDLING)
  8. AFTER PACKAGING, ROLL 2 METERS OF THE REINFORCEMENT COLLAR TO OUTER CIRCUMFERENCE OF TAPE AND REEL POCKET, AND TAPE DOWN AT THE END THE COLLAR.

<b>HRS</b>	DRAWING NO.	EDC-389547-51-00
	PART NO.	DF40TC(2.5)-50DS-0.4V(51)
	CODE NO.	CL0684-4279-0-51
		$\frac{1}{2}$