

Customer Information Sheet

DRAWING No.: S02-XXXXXXX0

IF IN DOUBT - ASK

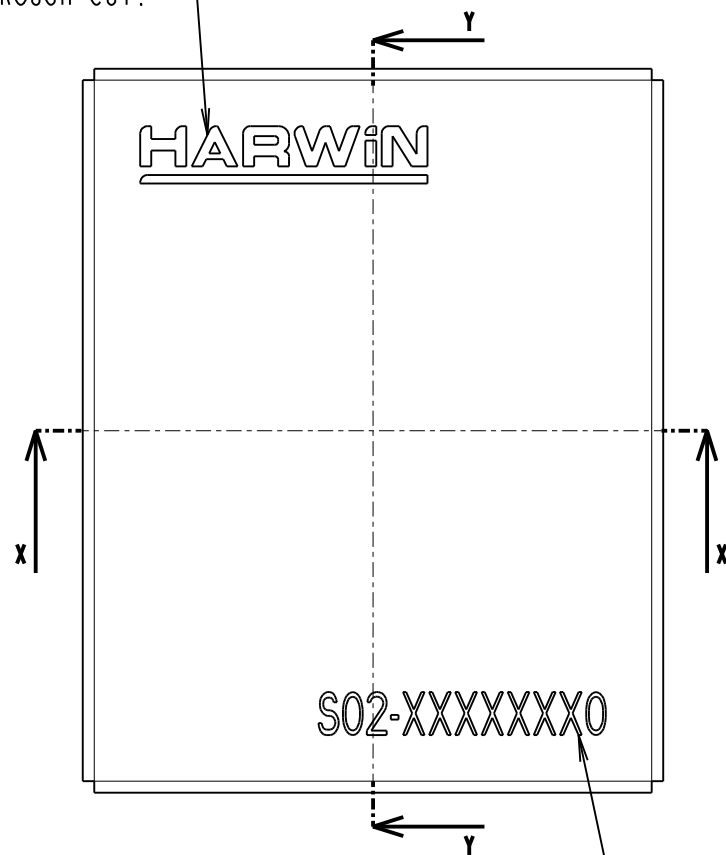
©

NOT TO SCALE

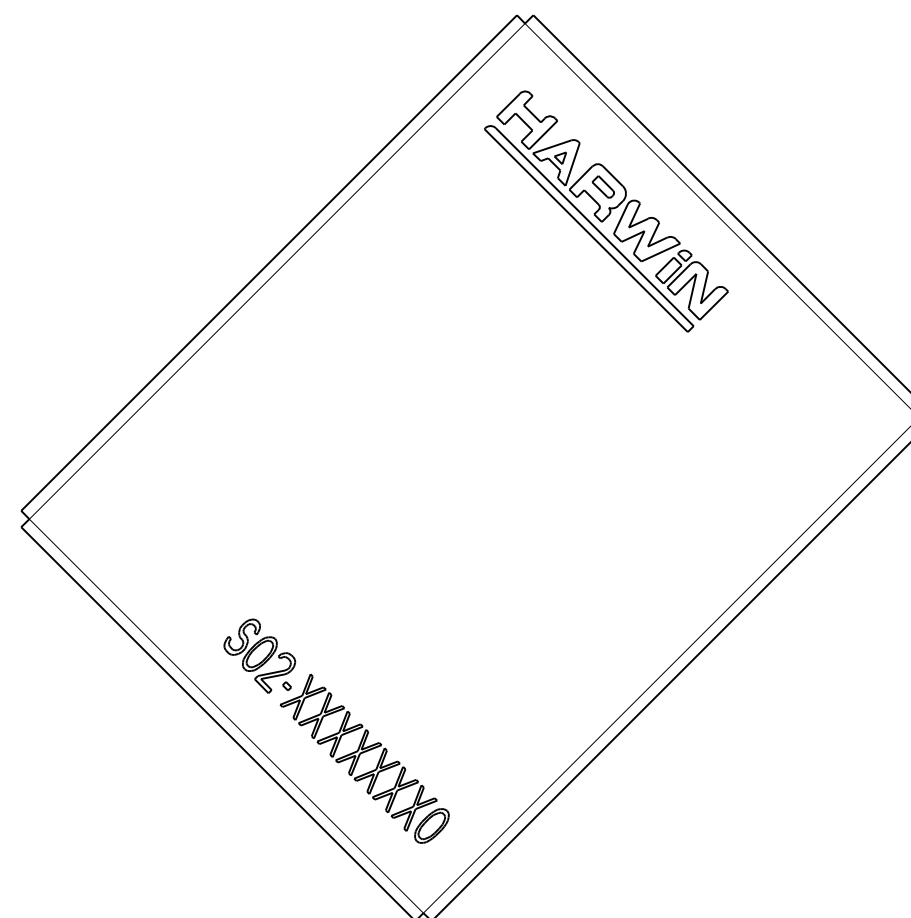
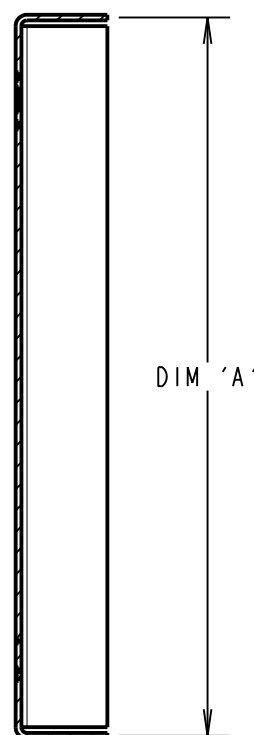
THIRD ANGLE PROJECTION

ALL DIMENSIONS IN mm

EMBOSSED HARWIN LOGO
NOT THROUGH CUT.



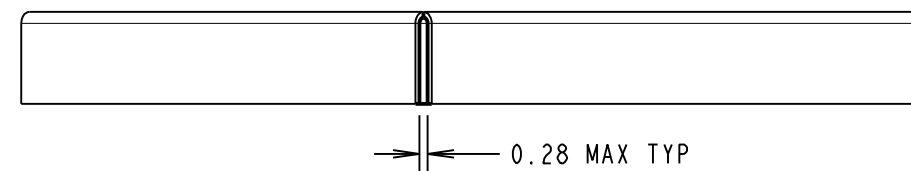
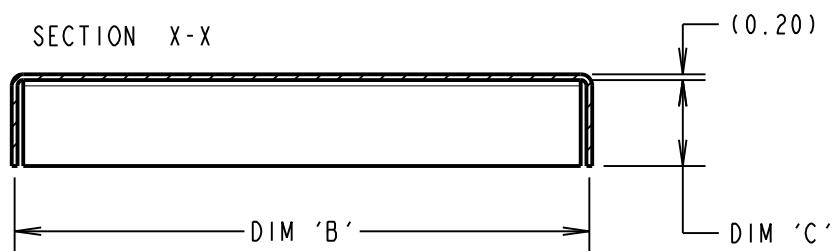
SECTION Y-Y



VIEW SHOWING CORNER OF THE SHIELD CAN

EMBOSSED PART NUMBER (SEE ORDER CODE).
NO THROUGH CUT.

SECTION X-X



NOTES:

- DIM 'C', HEIGHT OF THE CAN IS FROM THE BOTTOM EDGE TO THE INSIDE OF THE TOP FACE.
- BOTH DIM 'A' AND 'B' ARE FROM THE CENTRE OF THE MATERIAL THICKNESS.
- CANS ARE PACKED INDIVIDUALLY IN POLY BAGS.
- SHIELD CAN IS RECOMMENDED FOR USE WITH RFI SHIELD CLIPS: S0971-46R, S0981-46R, S0991-46R, S1001-46R AND S1721-XXR.
- SEE S02-XXXXXXX0R FOR DETAILS OF CAN IN TAPE AND REEL.



ORDER CODE: **S02-XXXXXXX0**

SIZE:
 DIM 'A' = LENGTH
 DIM 'B' = WIDTH
 DIM 'C' = HEIGHT

FINISH:
 0 = UNPLATED FINISH

SB	6	11.04.17	20551
NAME	ISS.	DATE	C/NOTE
APPROVED:		S. BENNETT	
CHECKED:		M. PERREN	
DRAWN:		S. BENNETT	
CUSTOMER REF.:			
ASSEMBLY DRG:			

PART No.	DIM 'A'	DIM 'B'	DIM 'C'
S02-20150300	20.0	15.0	3.0
S02-25200300	25.0	20.0	3.0
S02-30200250	30.0	20.0	2.5

HARWIN

www.harwin.com
technical@harwin.com

THIS DRAWING AND ANY INFORMATION OR DESCRIPTIVE MATTER SET OUT HEREON ARE CONFIDENTIAL AND COPYRIGHT PROPERTY OF THE HARWIN GROUP AND MUST NOT BE DISCLOSED, LOANED, COPIED OR USED FOR MANUFACTURING, TENDERING OR FOR ANY OTHER PURPOSE WITHOUT THEIR WRITTEN PERMISSION.

TOLERANCES
 X. = ±1mm
 X.X = ±0.25mm
 X.XX = ±0.10mm
 X.XXX = ±0.01mm
 ANGLES = ±5°
 UNLESS STATED

MATERIAL:
 NICKEL SILVER, HALF
 HARD NS106, TO BS1653
 0.20mm THICK

FINISH: SEE ABOVE

S/AREA: mm²

TITLE: EZ-BOARDWARE SHIELD CAN

DRAWING NUMBER: **S02-XXXXXXX0**

SHT 2 OF 2