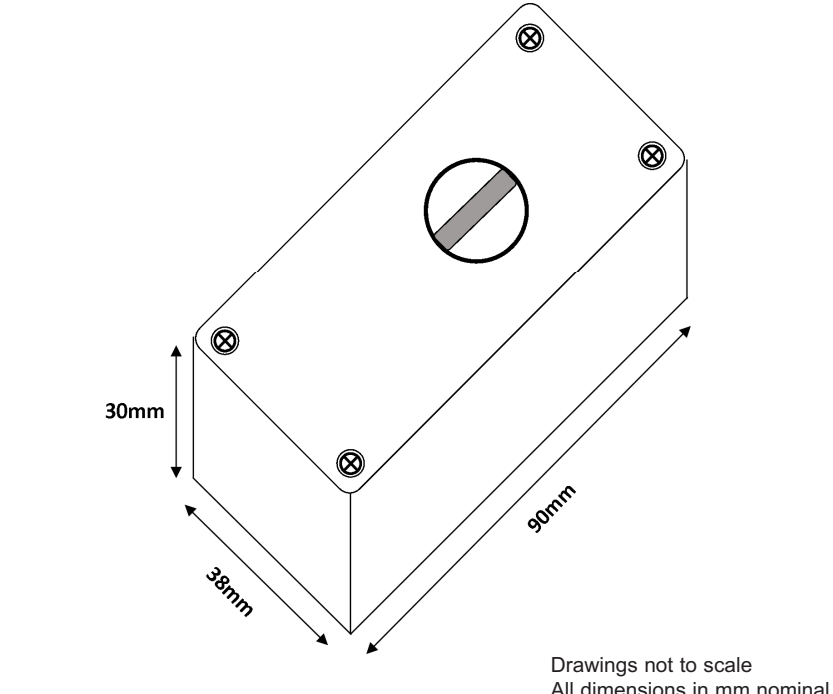


PICTURE	DIMENSIONS
---------	------------



DETAILS

Robust powder coated Metal housing

Double Pole switching.

Front cover anti tamper switch.

Supplied with two Keys.

Removable key for added security.

Keys differ, spare keys available.

Features Include	Specifications
------------------	----------------

- Double pole switching, two separate switches.
- Thick metal front plate.
- Sturdy all metal barrel.
- Tamper switch protection.

- Environmental class 2.
- Grade 3.
- Tamper circuit plus 3 terminals per pole.
- 8mm Cable entry hole.
- Key removable in arm or disarm position.

Did you know we also sell?



Rev. No.	Revision Note	Date	Signature
1	Datasheet	17-09-15	ML



As part of the company policy of continued product improvement, specifications may change without notice. Our sales office will be pleased to help you with the latest information on this product range and the details of our full design and manufacturing service. All products are supplied to our standard conditions of sale unless otherwise agreed in writing.

Phone : +44 (0)1255 862236	www.comus-intl.com	Fax: +44 (0)1255 862014
----------------------------	--	-------------------------