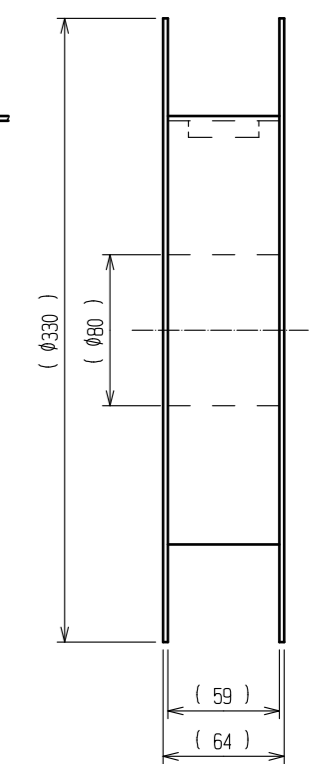
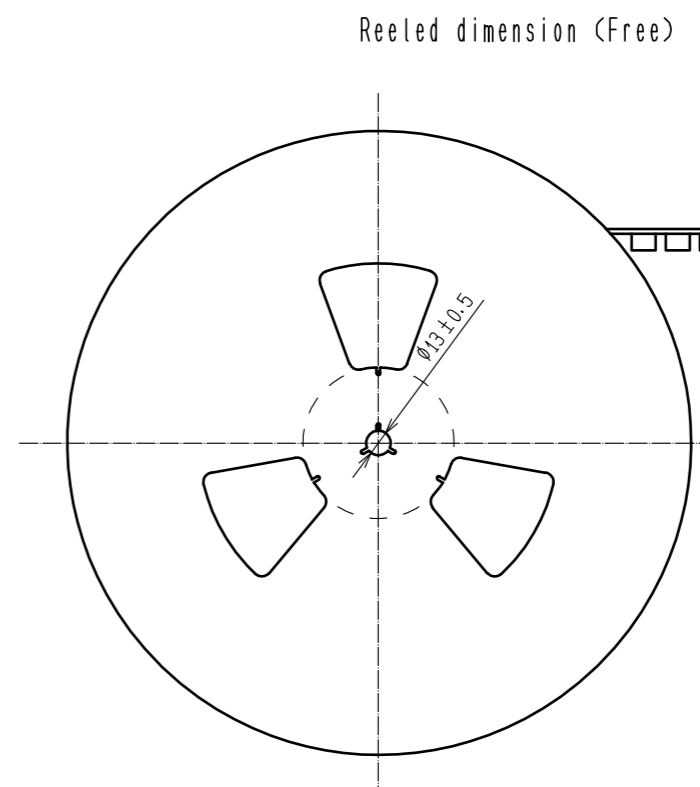
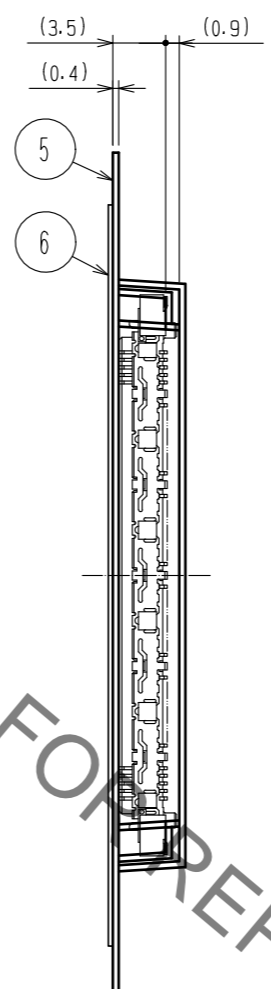
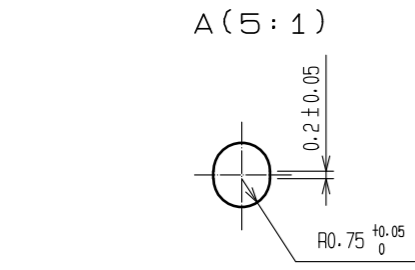
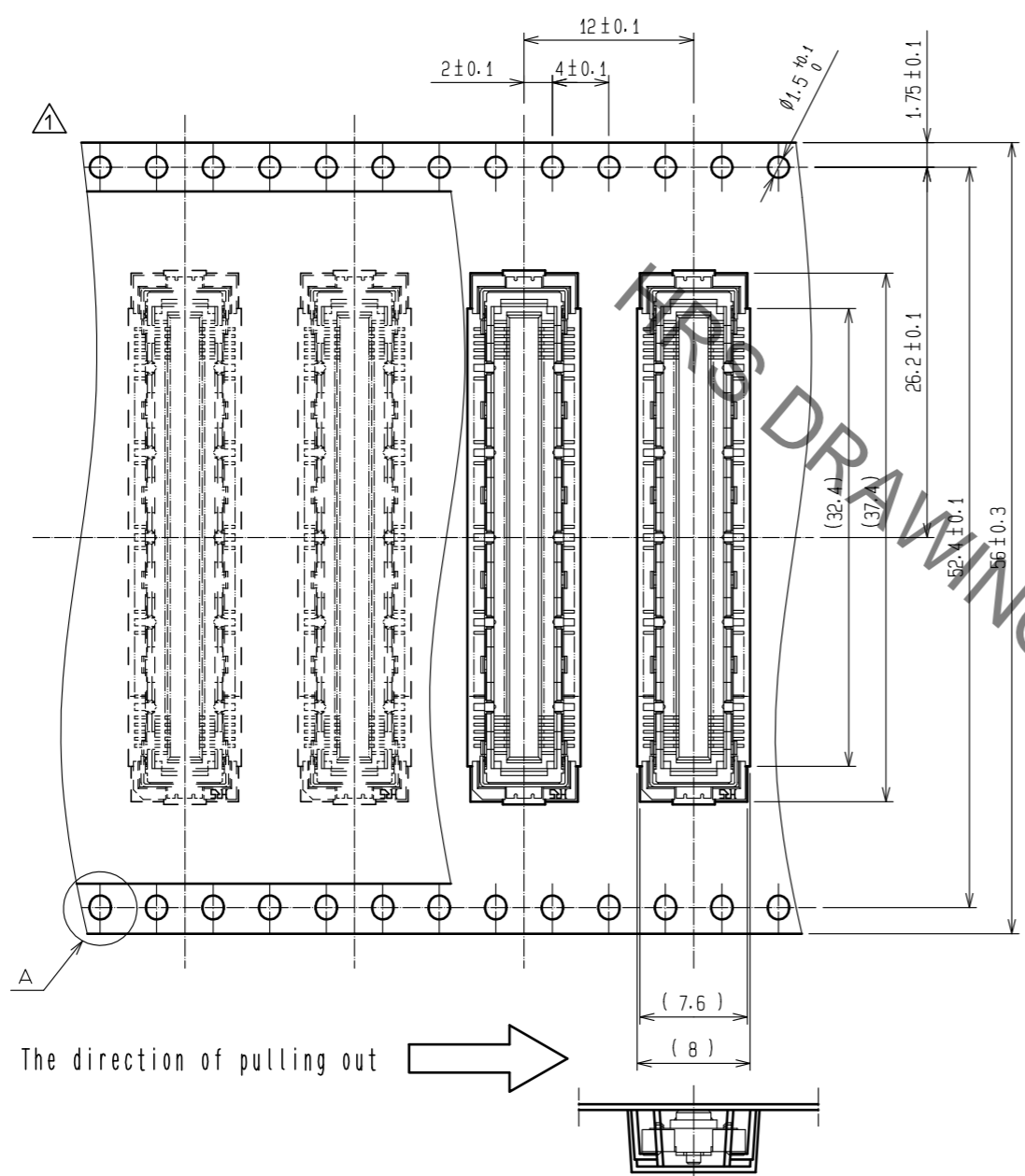




May.1.2023 Copyright 2023 HIROSE ELECTRIC CO., LTD. All Rights Reserved.  
In case of consideration for using Automotive equipment / device which demand high reliability, kindly contact our sales window correspondents.

Drawing for packing (2:1)



DRAWING FOR REFERENCE

- Notes
- 7 1 reel : 1,000 connectors.
  - 8 Minimum 10 compartments from both reel ends remain empty.
  - 9 This product has no polarity to tape and reel packaging.
  - 10 The dimensions in parentheses are for reference.

<b>HRS</b>	DRAWING NO.	EDC3-151977-21	
	PART NO.	FX10A-100S/10-SV(91)	
	CODE NO.	CL0570-0202-7-91	A/2
			2/2