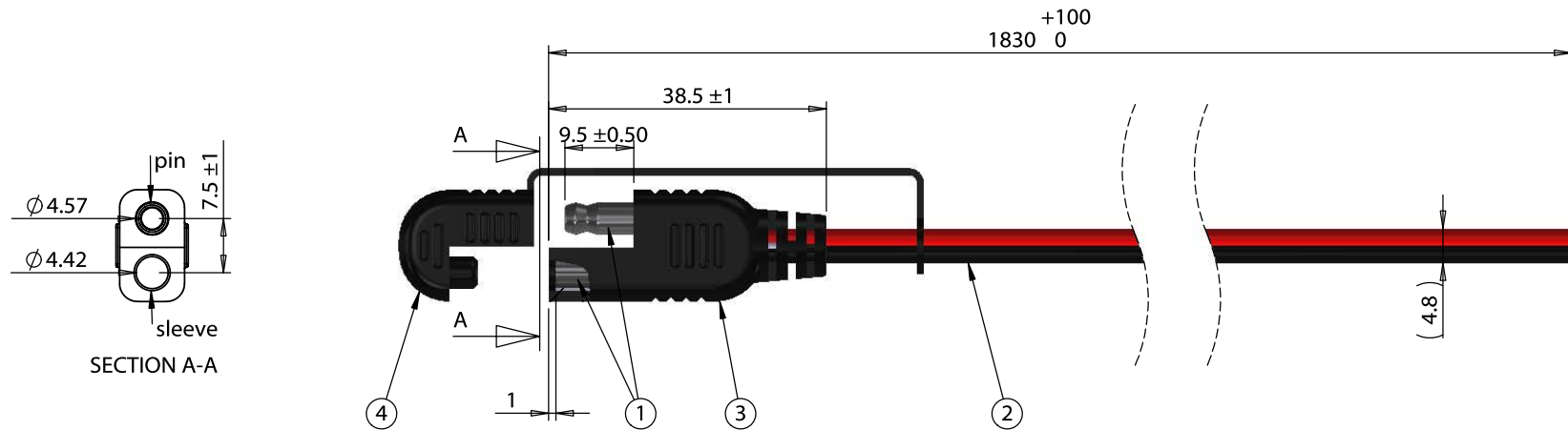


ITEM NO.	PART NUMBER	DESCRIPTION	QTY.	COMPONENT NOTES
1	50-00550	Connector, 4.75x10.2mm SAE, brass nickel plated, molding type	1	
2	30-00792	Wire, 2C TS, 16 AWG, UL2651, 300V, 105C, 4.8 mm, VW-1, PVC, red and black	1	
3	24-00176	Overmold, SAE connector, PVC, black	1	black, 105 °C
4	55-00059	Dust cap, SAE connector, overmold fit	1	black, 105 °C



Wiring Diagram	
50-00550	wire color
pin	red (+)
sleeve	black (-)

**Notes:**  
Functionally equivalent components may be substituted

Revision:	Date:	Description:	Prepared:	Notes:	<h1>TENSILITY</h1>	
A	1/16/2017	Initial release	PS <small>Digitally signed by PS Date: 2017.08.11 13:53:47 -07'00'</small>			RoHS compliant
			Verified:	Function test: no open, no short circuit, no intermittent	tel 1.541.323.3228 800 877.670.7118	
			GL <small>Digitally signed by GL Date: 2017.08.11 14:11:31 -07'00'</small>		fax 1.541.323.4202 web tensility.com	
			Dimensions are in millimeters.	Description:	Size:	
			Tolerances: X: ± 0.5 mm X.X: ± 0.3 mm X.XX: ± 0.05 mm		Cable, 1830 mm, 50-00550 SAE to blunt cut, 16 AWG, UL2651, 30-00792, R-B wire, red to SAE pin	Part number:
					A	10-02408
					Scale: 1:1	Sheet 1 of 1