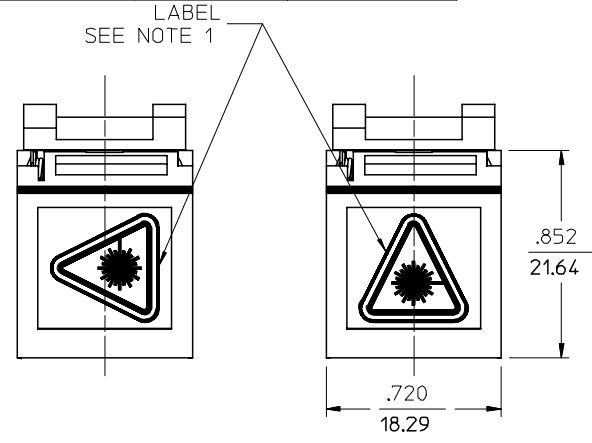
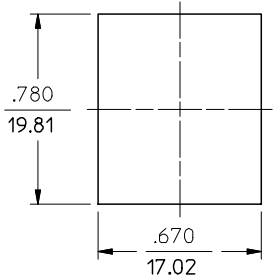


| KIT P/N | BEZEL FRAME/DOOR COLOR | DOOR TYPE | SLEEVE MATERIAL |
|-------------|------------------------|-----------|-----------------|
| 106004-3576 | METAL/METAL | NO LOGO | ZIRCONIA |
| 106004-3577 | | | PHOSPHOR BRONZE |
| 106004-3575 | METAL/BLACK | MX LOGO | ZIRCONIA |
| 106004-3578 | METAL/METAL | | PHOSPHOR BRONZE |
| 106004-3579 | | | PHOSPHOR BRONZE |

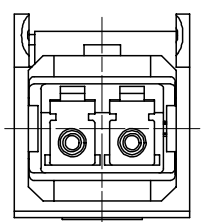


VIEW B

VIEW B

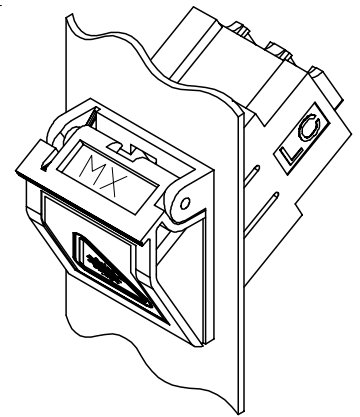
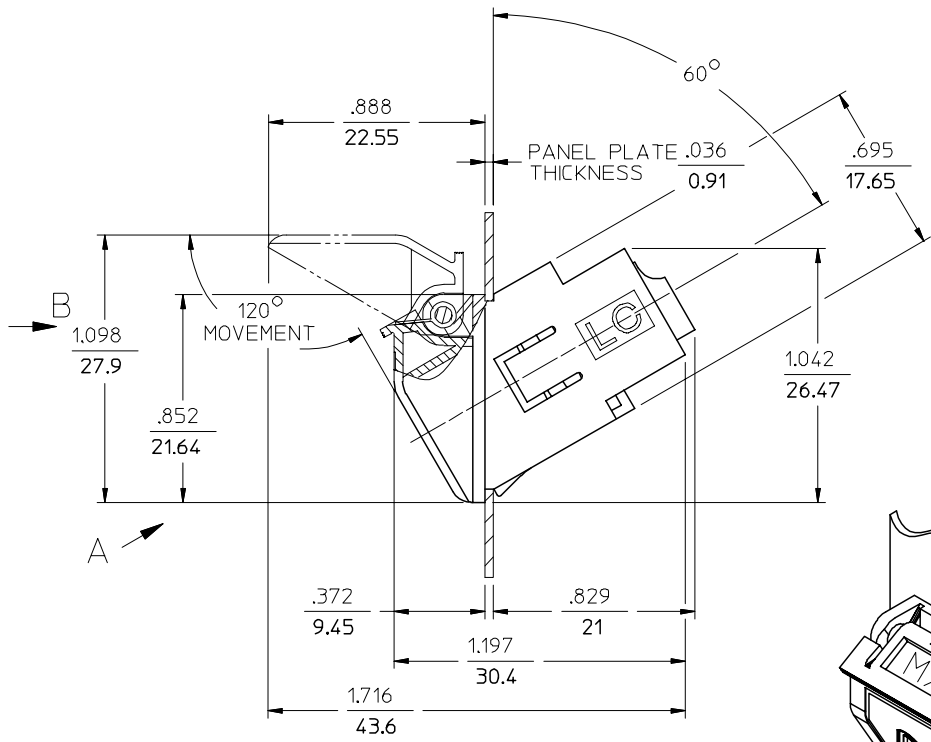


RECOMMENDED MOUNTING HOLE



VIEW A
DOOR REMOVED
ROTATED 30° CW

NOTES:
1. LABEL TO BE INSTALLED BY CUSTOMER.



ISOMETRIC VIEW

| ENTER DESCRIPTION EC NO: MF2006-0262 DRWNR: RPACIFIC 2005/12/01 CHKD: 2005/12/01 APPR: IGUMIN 2005/12/01 REV A | QUALITY SYMBOLS ▽=0 ▽=0 | GENERAL TOLERANCES (UNLESS SPECIFIED) <table border="1"> <thead> <tr> <th></th> <th>mm</th> <th>INCH</th> </tr> </thead> <tbody> <tr> <td>4 PLACES</td> <td>± .005</td> <td>± .0005</td> </tr> <tr> <td>3 PLACES</td> <td>± .005</td> <td>± .0005</td> </tr> <tr> <td>2 PLACES</td> <td>± .005</td> <td>± .0005</td> </tr> <tr> <td>1 PLACE</td> <td>± .005</td> <td>± .0005</td> </tr> </tbody> </table> ANGULAR ±1/2° | | mm | INCH | 4 PLACES | ± .005 | ± .0005 | 3 PLACES | ± .005 | ± .0005 | 2 PLACES | ± .005 | ± .0005 | 1 PLACE | ± .005 | ± .0005 | DIMENSION STYLE IN/MM DRAWN BY: RPACIFIC I DATE: 2005/10/20 CHECKED BY: DATE: | SCALE 2:1 DESIGN UNITS INCH | THIRD ANGLE PROJECTION |
|---|-------------------------------|--|--|--------------------|------|----------|--------|---------|----------|--------|---------|----------|--------|---------|---------|--------|---------|--|--------------------------------------|------------------------|
| | | mm | INCH | | | | | | | | | | | | | | | | | |
| | 4 PLACES | ± .005 | ± .0005 | | | | | | | | | | | | | | | | | |
| | 3 PLACES | ± .005 | ± .0005 | | | | | | | | | | | | | | | | | |
| 2 PLACES | ± .005 | ± .0005 | | | | | | | | | | | | | | | | | | |
| 1 PLACE | ± .005 | ± .0005 | | | | | | | | | | | | | | | | | | |
| DRAFT WHERE APPLICABLE MUST REMAIN WITHIN DIMENSIONS | | APPROVED BY: DATE: | TITLE METALIZED LC BEZEL ADAPTER KITS WITH PUSH TAB | | | | | | | | | | | | | | | | | |
| MATERIAL NO. SEE TABLE | | DOCUMENT NO. SD-106004-357X | | MOLEX INCORPORATED | | | | | | | | | | | | | | | | |
| SIZE B | | THIS DRAWING CONTAINS INFORMATION THAT IS PROPRIETARY TO MOLEX INCORPORATED AND SHOULD NOT BE USED WITHOUT WRITTEN PERMISSION | | | | | | | | | | | | | | | | | | |