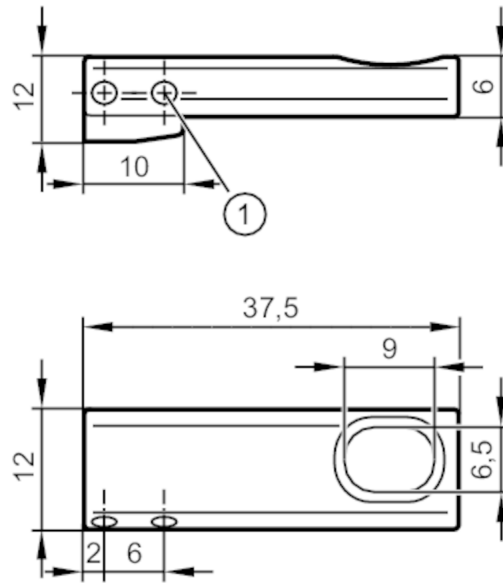


E12259



Protective cover for T-slot cylinder sensors

ADAPT Protection T-SLOT Sensor



1 socket head screw M3 x 12

Application

Design for types MKT (T-slot cylinder sensors)

Mechanical data

Weight [g] 12.2

Type of mounting fixing: socket head screw M3

Materials Protective cover: diecast zinc coated; screws: stainless steel

Accessories

Items supplied socket head screws: 2 x SW 1,5

Remarks

Pack quantity 1 pcs.