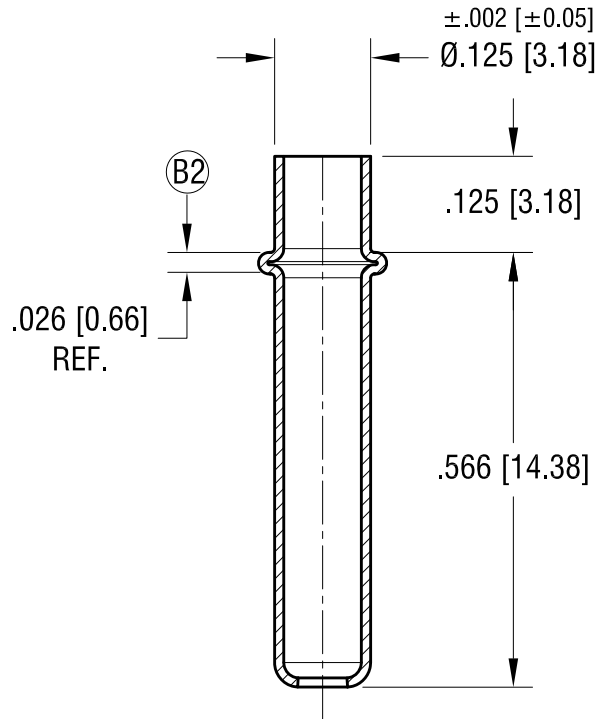
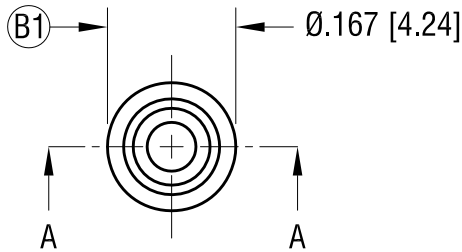
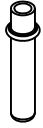


THIS DOCUMENT IS THE PROPERTY OF
KEYSTONE ELECTRONICS CORP. AND
SHALL NOT BE REPRODUCED, DISTRIBUTED
OR USED AS A BASIS FOR MANUFACTURE
WITHOUT PRIOR WRITTEN PERMISSION
FROM KEYSTONE ELECTRONICS CORP.

ACTUAL SIZE



SECTION A-A

KEYSTONE ELECTRONICS CORP.

www.keyelco.com • NEW HYDE PARK, NY 11040 • Tel (516) 328-7500

PART NAME

CONTACT PIN, SEAMLESS

MATERIAL

BRASS

FINISH

NICKEL PLATE

DRN BY

NT

DATE

3.06.09

APP'D

RH

SCALE

4X

TOLERANCES

INCH [MM]

DECIMAL

± .005 [± 0.13]

ANGULAR

± 1°

UNLESS OTHERWISE SPECIFIED

CODE

C

DWG NO.

1210

8.11.21 (B1) WAS .175, (B2) WAS ACTUAL
CHANGE AS PER ECN 21-081

B

3.06.09 CHANGED AS PER ECN 09-015

A

DATE

DESCRIPTION

REV.