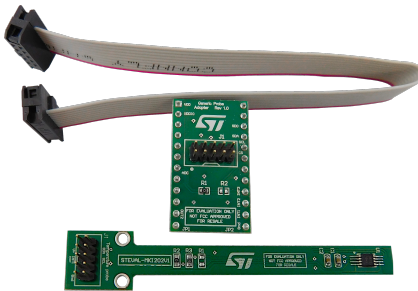


Temperature probe kit based on STDS75



Features

- User friendly STDS75 board
- Complete STDS75 pinout for a standard DIL 24 socket
- Fully compatible with and STEVAL-MKI109V3 motherboards
- RoHS compliant
- WEEE compliant

Description

The STEVAL-MKI202V1K evaluation kit consists of a probe with the STDS75 temperature sensor connected via flat cable to the STEVAL-MKIGIBV1 adapter board, so it can interface with the STEVAL-MKI109V3.

The small package dimensions of the device allow it to be mounted on top of a very thin probe, so it can take temperature readings that are not influenced by heat from other electronic components or boards.

The STEVAL-MKIGIBV1 can be plugged into a standard DIL 24 socket. The kit provides the complete STDS75 pin-out and comes ready-to-use with the required decoupling capacitors on the VDD power supply line.

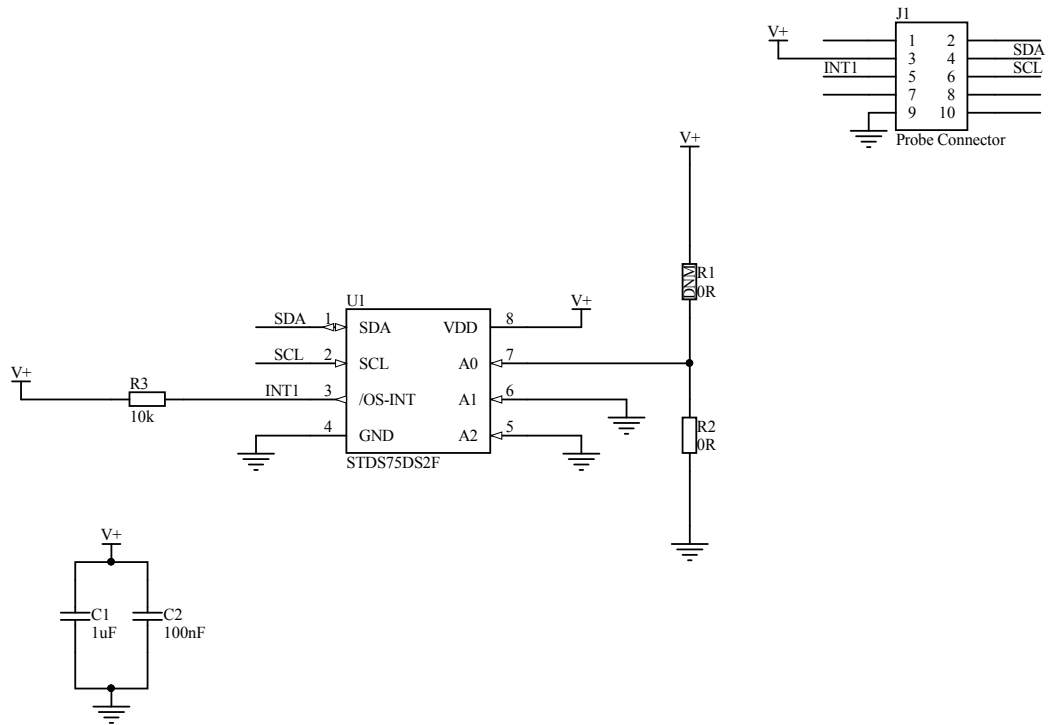
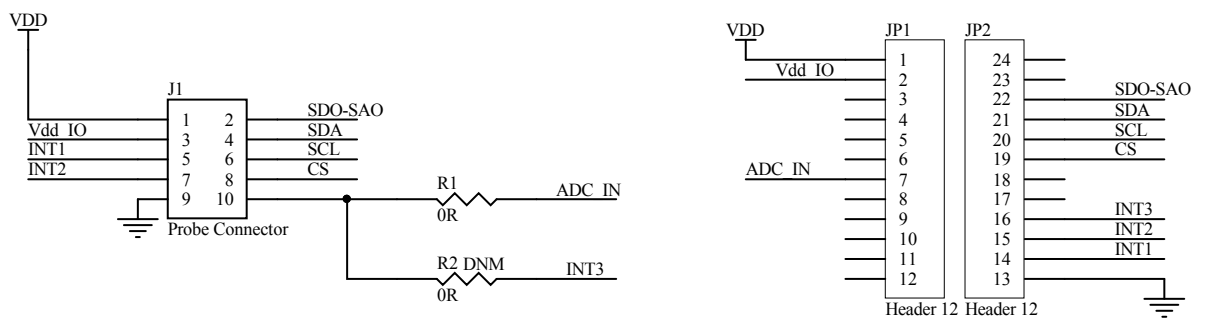
This adapter is supported by the [STEVAL-MKI109V3](#) with high performance 32-bit microcontroller functioning as a bridge between the sensor and a PC, on which it is possible to use the downloadable graphical user interface (Unico GUI), or dedicated software routines for customized applications.

This adapter can interface with [STEVAL-MKI109V3](#) motherboards featuring the high performance 32-bit microcontroller functioning as a bridge between the sensor and a PC running the free Unico GUI graphical user interface or dedicated software routines for customized applications.



| Product summary | |
|---|----------------------------------|
| Temperature probe kit based on STDS75 | STEVAL-MKI202V1K |
| Digital temperature sensor and thermal watchdog | STDS75 |
| ST MEMS adapter motherboard based on the STM32F401VET6 compatible with ST MEMS adapters | STEVAL-MKI109V3 |

1 Schematic diagrams

Figure 1. STEVAL-MKI202V1 board schematic

Figure 2. STEVAL-MKIBIBV1 board schematic


Revision history

Table 1. Document revision history

| Date | Version | Changes |
|-------------|---------|------------------|
| 07-Feb-2018 | 1 | Initial release. |

IMPORTANT NOTICE – PLEASE READ CAREFULLY

STMicroelectronics NV and its subsidiaries (“ST”) reserve the right to make changes, corrections, enhancements, modifications, and improvements to ST products and/or to this document at any time without notice. Purchasers should obtain the latest relevant information on ST products before placing orders. ST products are sold pursuant to ST’s terms and conditions of sale in place at the time of order acknowledgement.

Purchasers are solely responsible for the choice, selection, and use of ST products and ST assumes no liability for application assistance or the design of Purchasers’ products.

No license, express or implied, to any intellectual property right is granted by ST herein.

Resale of ST products with provisions different from the information set forth herein shall void any warranty granted by ST for such product.

ST and the ST logo are trademarks of ST. All other product or service names are the property of their respective owners.

Information in this document supersedes and replaces information previously supplied in any prior versions of this document.

© 2019 STMicroelectronics – All rights reserved