



REED SWITCH DEVELOPMENTS CORP.

2524 Norwood Court
Racine, WI 53403
Ph: (262)883-9060

sales@reedswitchdevelopments.com

SPECIFICATION SHEET

2060-1900-400

Alternate Part Number:
AM2060-1900-90K01

Active / Equivalent Part Numbers:

2060-1900-400 - KIT - Contains

(1) 2060-1900-900 - Magnetic Reed Sensor

(1) 2065-4035-000 - Magnetic Actuator

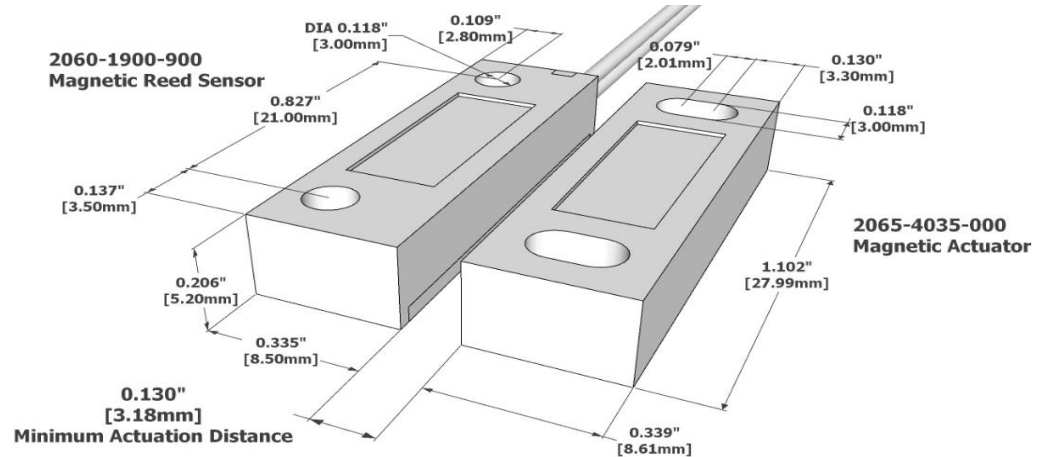
AM2060-1900-90K01 - KIT - Contains

(1) AM2060-1900-90-01 - Magnetic Reed Sensor

(1) AM2065-4035-00-01 - Magnetic Actuator

Sensor (Reed) - Specifications 1900

Physical		Operating		Electrical	
Configuration	SPST	Pull in (+/- 2AT)*	20 - 25	DC Contact Rating	20 W
Form	B	Drop out*	5	AC Contact Rating	20 VA
Contact Position	OFFSET	Operate Time	2.0	DC Switching Voltage	150 VDC
Glass L	14.00 mm	Bounce Time	0.60	AC Switching Voltage	150 VAC
Glass D	2.30 mm	Release Time	0.50	DC Switching Current	1.00 A
Total L*	55.00 mm	Resonant Frequency	N/A	AC Switching Current	1.00 A
Wire D	0.53 mm	Max Operating Frequency	250	DC Max Carry Current	2.00 A
Gap Location	OFFSET	Operating Temperature Range	-40 - 105 °C	AC Max Carry Current	2.00 A
Mount Spec*	THRU	Storage Temperature	N/A °C	Min Breakdown Voltage	200 VDC
Contact Material	RHODIUM			Max Initial Contact Resistance	150 mOhm
Max Vibration Resistance	20 G			Typical Initial Contact Resistance	N/A mOhm
Max Shock Resistance (11ms)	50 G			Max Contact Capacitance	0.80 pF
Lead Tensile Strength	N/A KG			Min Insulation Resistance	10 ⁹ Ohm



All measurements are in Inches [millimeters]

Sensor - Wire/Cable Characteristics (cont.)

Type	Wire
Conductor Count	2
Length	6.0"/152.4mm
Colors	BLK. WHT
Insulation Material	PVC
Gauge	24 AWG
Stranded Copper	7 STR-TC
Maximum Temp	105°C

Housing Characteristics 2060

Rectangular w/ Mounting Holes	
Length	1.102"/27.99mm
Width	0.335"/8.51mm
Height	0.206"/5.23mm
Material	Celanex 3316

Standard Actuator: 2065-4035-000

Specifications	Description	UM
Magnetic Orientation	Through Length	
Max Operating Temp.	975/525	°F/°C
Curie Temp.	1580/860	°F/°C
BR max	12.8	kGauss
BH max	5.5	MGOe
Coercive Force Hc	640	kOe
Intrinsic Coercive Force Hci	640	kOe

Standard Sensor/Actuator - Min. Actuation Distance

2065-4035-000	0.13"/3.3mm
---------------	-------------

Assembly Certifications

UL Recognized (File #: E102207)	Y
RoHS / REACH Compliant	Y
Conflict Free Material	Y

* Pre-processed, bare reed element

REV DATE: 10/06/2021

DISCLAIMER NOTICE: INFORMATION FURNISHED IS PROPRIETARY, AND IS BELIEVED TO BE ACCURATE AND RELIABLE, AND IS SUBJECT TO CHANGE WITHOUT NOTICE. IT SHALL BE THE RESPONSIBILITY OF THE BUYER TO ENSURE THAT THE GOODS ARE SUFFICIENT AND SUITABLE FOR THE PURPOSE OR PURPOSES INTENDED (WHETHER BY THE BUYER OR BY ANY THIRD PARTY) AND THAT THEIR CAPACITY AND PERFORMANCE IS NOT ADVERSELY AFFECTED BY ANY ITEMS USED IN THEIR INSTALLATION (WHERE RELEVANT) AND/OR IN CONNECTION WITH THEM.

WBE Certified - State of Wisconsin - MFR CAGE CODE: 32604

www.reedswitchdevelopments.com