

4

3

2

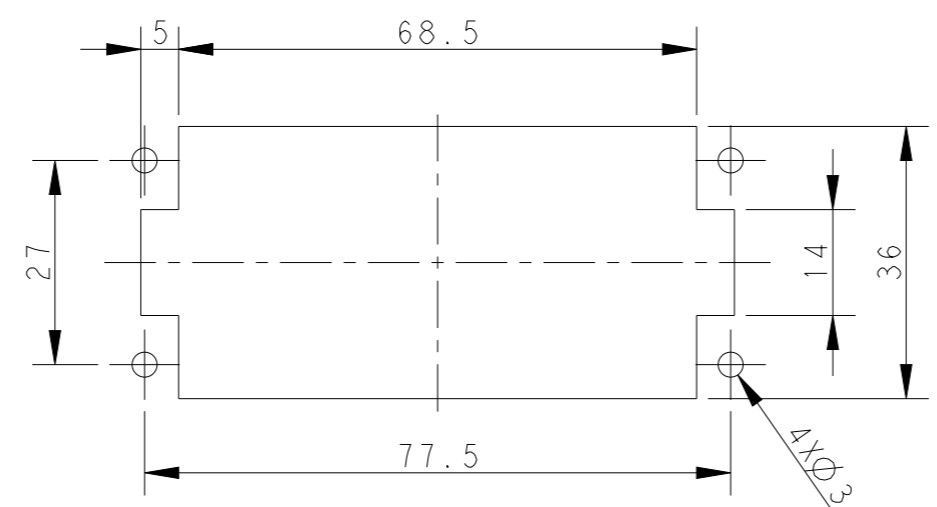
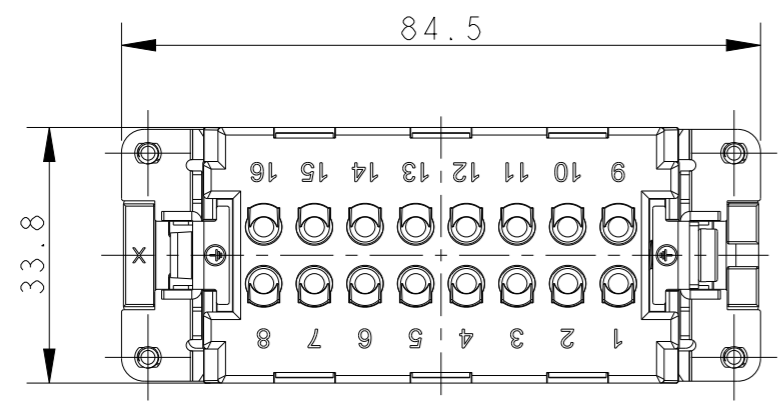
1

THIS DRAWING IS UNPUBLISHED. RELEASED FOR PUBLICATION 20

© COPYRIGHT 20 BY - ALL RIGHTS RESERVED.

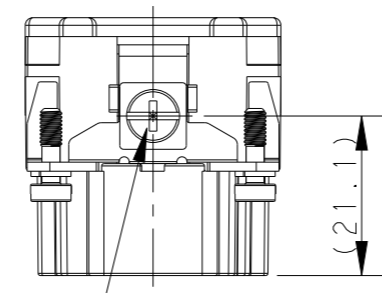
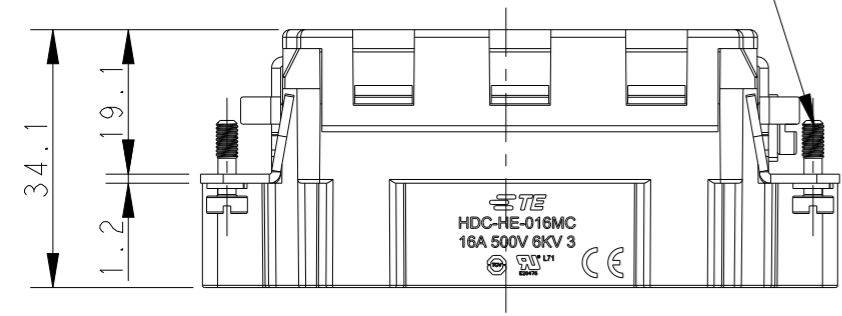
REVISIONS

P	LTR	DESCRIPTION	DATE	DWN	APVD
A		INITIAL RELEASE	15APR2015	GY	CW
B		ECR-15-013759	12OCT2015	DW	CW
B1		ECR-16-015492	16NOV2016	QY	CW
C		ECR-21-106515	19JUL2021	SQ	CW

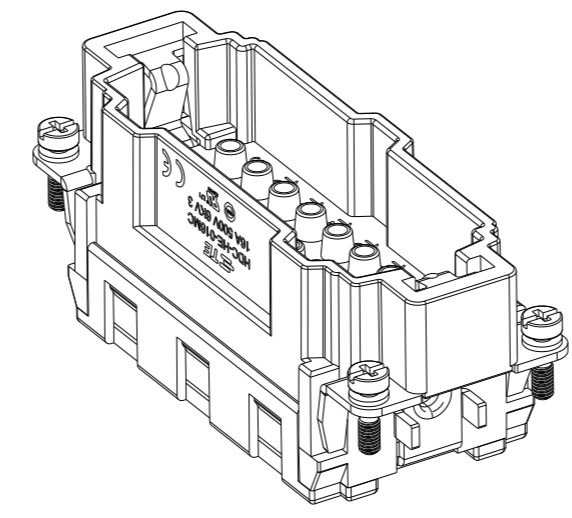
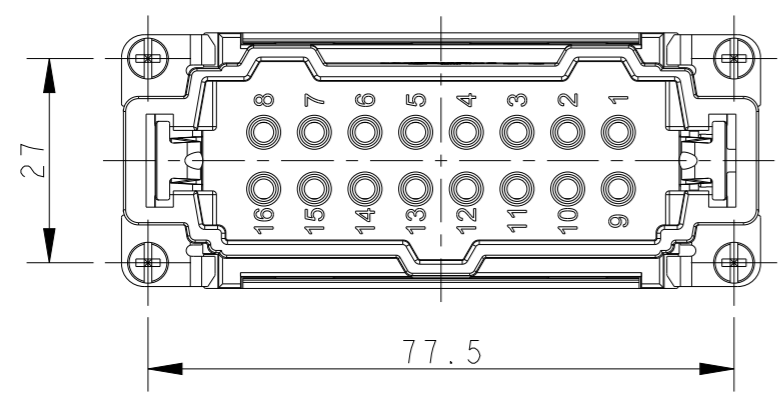


4X M3 SCREW, RECOMMENDED
TIGHTENING TORQUE 0.5Nm
4X M3螺丝, 推荐锁紧力矩0.5Nm

PANEL CUT FOR INSERTS FOR USING
WITHOUT HOODS/ HOUSINGS
不使用防护外壳时芯件的安装开孔图



M4 SCREW, RECOMMENDED
TIGHTENING TORQUE 1.2Nm
M4螺丝, 推荐锁紧力矩1.2Nm



- NOTES:
- TECHNICAL CHARACTERISTICS:
INSULATION MATERIAL: PC
RATED VOLTAGE: 500V
RATED CURRENT: 16A
INSULATION RESISTANCE: $\geq 400M\Omega$
RATED IMPULSE VOLTAGE: 6KV
POLLUTION DEGREE: 3
FLAMMABILITY: UL94V-0
MATING CYCLES: 500 CYCLES
WIRE RANGE: $0.14mm^2 \sim 4mm^2$ (AWG26-AWG12)
CONTACT TYPE: CRIMP CONTACT
 - CONTACTS NEED TO BE ORDERED SEPARATELY.
(ORDER No. REFER TO DRAWING: T20300X10XX000)

- 注释:
- 技术参数:
绝缘材料: PC
额定电压: 500V
额定电流: 16A
绝缘电阻: $\geq 400M\Omega$
脉冲电压: 6KV
污染等级: 3
阻燃等级: UL94V-0
插拔次数: 500次
接线范围: $0.14mm^2 \sim 4mm^2$ (AWG26-AWG12)
接线类型: 冷压接
 - 端子需要单独订购。
(订货号参考图面: T20300X10XX000)

TYPE-1, T2040164101-000, TE LOGO
类型-1, T2040164101-000, TE LOGO

THIS DRAWING IS A CONTROLLED DOCUMENT.		DWN	Gino.Yao	15APR2015	 TE Connectivity	NAME		HE-016-MC					
DIMENSIONS:		CHK	Chris.Wang	15APR2015		PRODUCT SPEC		108-137044					
mm		APVD	Xiang.Xu	15APR2015		APPLICATION SPEC		114-137044					
TOLERANCES UNLESS OTHERWISE SPECIFIED:		MATERIAL		WEIGHT		RESTRICTED TO							
0 PLC ±- 1 PLC ±- 2 PLC ±- 3 PLC ±- 4 PLC ±- ANGLES ±- FINISH -		-		-		-							
Customer Drawing		SIZE	A3	CAGE CODE	00779	DRAWING NO	T2040164101000	SCALE	1:1	SHEET	1 OF 2	REV	C

4

3

2

1

THIS DRAWING IS UNPUBLISHED.

RELEASED FOR PUBLICATION

20

© COPYRIGHT 20 BY -

ALL RIGHTS RESERVED.

REVISIONS


P	LTR	DESCRIPTION	DATE	DWN	APVD
-		SEE SHEET 1	-	-	-

NOTE:
SEE SHEET 1
注释:
见页 1

TYPE-2, T2040164101-001, STAINLESS STEEL SCREW, NO LOGO
类型-2, T2040164101-001, 不锈钢螺丝, 无LOGO

T2040164101-001	HE-016-MC	HE-016 MALE INSERT, CRIMPING, STAINLESS STEEL SCREW, NO LOGO HE-016公插, 冷压针, 不锈钢螺丝, 无LOGO	TYPE-2 类型-2
T2040164101-000	HE-016-MC	HE-016 MALE INSERT, CRIMPING HE-016公插, 冷压针	TYPE-1 类型-1
PART NUMBER 料号	PART DESCRIPTION 描述		TYPE 类型

ALL SPEC DIMENSION REFER TO TYPE 1
所有产品规格尺寸参照 TYPE 1

THIS DRAWING IS A CONTROLLED DOCUMENT.		DWN Gino.Yao 15APR2015	 TE Connectivity	
DIMENSIONS: mm		CHK Chris.Wang 15APR2015		
TOLERANCES UNLESS OTHERWISE SPECIFIED:		APVD Xiang.Xu 15APR2015	NAME HE-016-MC	
0 PLC ±- 1 PLC ±- 2 PLC ±- 3 PLC ±- 4 PLC ±- ANGLES ±-		PRODUCT SPEC 108-137044	RESTRICTED TO	
MATERIAL -		FINISH -	APPLICATION SPEC 114-137044	SIZE A3
		WEIGHT -	CAGE CODE 00779	DRAWING NO T2040164101000
		Customer Drawing	SCALE 1:1	SHEET 2 OF 2
				REV C

1470-19 (3/13)