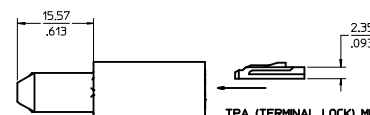
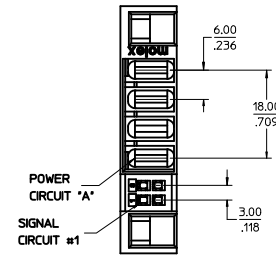
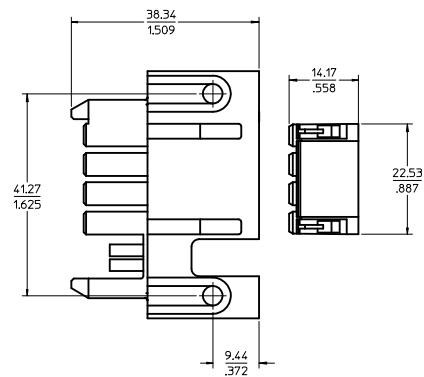
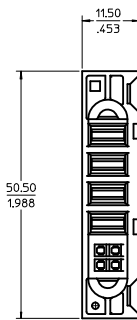
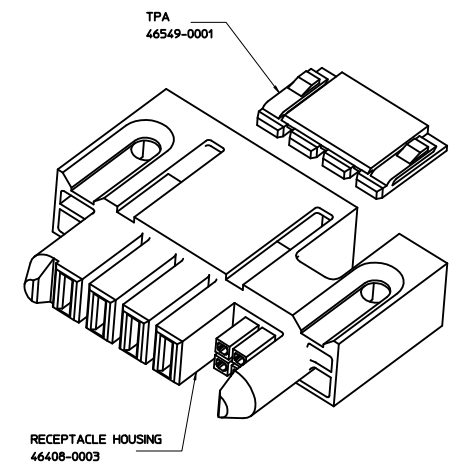


KIT PART NUMBER	HOUSING No.	TPA No.
46408-1200	46408-0003	46549-0001



TPA (TERMINAL LOCK) MUST BE PUSHED IN FIRMLY TO LOCK TERMINALS IN PLACE

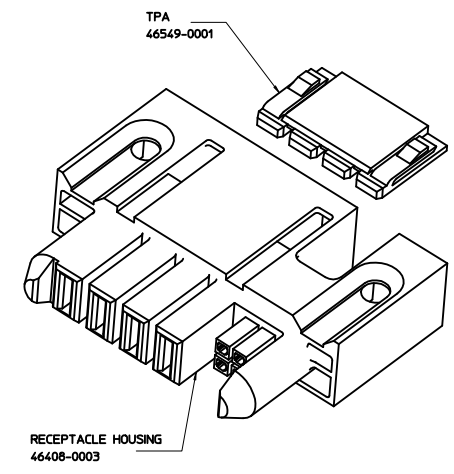
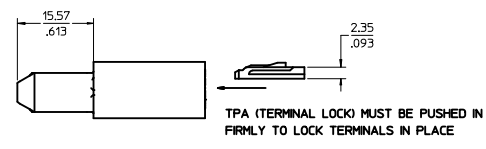
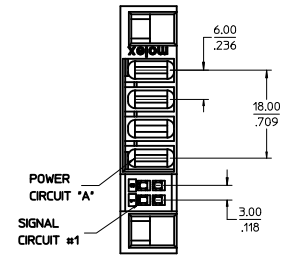
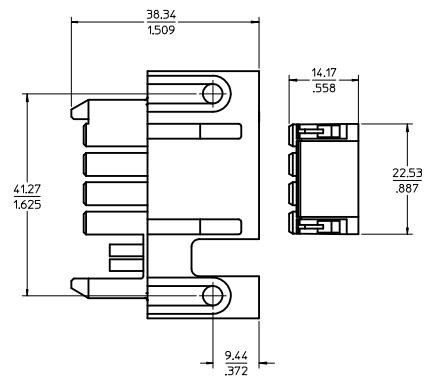
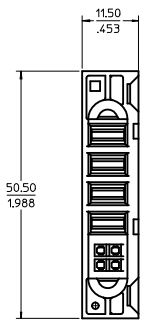


REPLACING PART NO.  
46408-0001

- NOTES:
1. MATERIAL: PBT OR EQUIVALENT, 94V-0. COLOR: BLACK.
  2. HOUSING ACCEPTS MOLEX TERMINALS: 44262-4532 (POWER) AND 43030-0001 (SIGNAL). NOT SHOWN. SOLD SEPARATELY
  3. HOUSING DESIGNED FOR M3.5 FLAT HEAD SCREWS SUPPLIED BY CUSTOMER.
  4. RECEPTACLE MATES WITH PLUG HOUSING 46409-0003.
  5. RECEPTACLE REQUIRES INCLUDED POWER TERMINAL LOCK (TPA) 46549-0001, ALSO AVAILABLE SEPARATELY.
  6. HOUSING AND ASSOCIATED COMPONENTS ARE ROHS COMPLIANT.
  7. PACKAGED PER MOLEX PACKAGING SPEC: PK-46408-\*\*\*

REV	DESCRIPTION	QUALITY SYMBOLS	GENERAL TOLERANCES (UNLESS SPECIFIED)		DIMENSION STYLE	SCALE	DESIGN UNITS	THIRD ANGLE PROJECTION
			mm	INCH	MM/IN	1:1	METRIC	☉
4	PLACES	±	---	±	---	SBGIEL	DATE	TITLE
3	PLACES	±	---	±	.010	SBGIEL	DATE	RECEPTACLE HOUSING AND TPA KIT
2	PLACES	±	0.25	±	---	SBGIEL	DATE	4 CKT POWER AND SIGNAL
1	PLACE	±	---	±	---	APATEL	DATE	MOLEX INCORPORATED
			ANGULAR ± 2 °					
DRAFT WHERE APPLICABLE MUST REMAIN WITHIN DIMENSIONS					MATERIAL NO.	DATE	DOCUMENT NO.	SHEET NO.
					46408-1200	2011/10/28	SD-46408-1200	1 OF 1
THIS DRAWING CONTAINS INFORMATION THAT IS PROPRIETARY TO MOLEX INCORPORATED AND SHOULD NOT BE USED WITHOUT WRITTEN PERMISSION								

KIT PART NUMBER	HOUSING No.	TPA No.
46408-1200	46408-0003	46549-0001



REPLACING PART NO.  
46408-0001

- NOTES:
1. MATERIAL: PBT OR EQUIVALENT, 94V-0. COLOR: BLACK.
  2. HOUSING ACCEPTS MOLEX TERMINALS: 44262-4532 (POWER) AND 43030-0001 (SIGNAL). NOT SHOWN. SOLD SEPARATELY
  3. HOUSING DESIGNED FOR M3.5 FLAT HEAD SCREWS SUPPLIED BY CUSTOMER.
  4. RECEPTACLE MATES WITH PLUG HOUSING 46409-0003.
  5. RECEPTACLE REQUIRES INCLUDED POWER TERMINAL LOCK (TPA) 46549-0001, ALSO AVAILABLE SEPARATELY.
  6. HOUSING AND ASSOCIATED COMPONENTS ARE RoHS COMPLIANT.
  7. PACKAGED PER MOLEX PACKAGING SPEC: PK-46408-\*\*\*

REV	DESCRIPTION	QUALITY SYMBOLS	GENERAL TOLERANCES (UNLESS SPECIFIED)		DIMENSION STYLE	SCALE	DESIGN UNITS	THIRD ANGLE PROJECTION
			mm	INCH	MM/IN	1:1	METRIC	
4	PLACES	±	---	±	---			
3	PLACES	±	---	±	.010			
2	PLACES	±	0.25	±	---			
1	PLACE	±	---	±	---			
			ANGULAR		± 2 °			
DRAFT WHERE APPLICABLE MUST REMAIN WITHIN DIMENSIONS					MATERIAL NO. 46408-1200		DOCUMENT NO. SD-46408-1200	
REV DOC NO RSD TO SD EC NO. UCF2012-1352 DRAWN: JUILLES 2011/10/27 CHKD: APATEL 2011/10/27 APPR: APATEL 2011/10/28					DRAWN BY DATE SBGIEL 2007/08/07		TITLE RECEPTACLE HOUSING AND TPA KIT 4 CKT POWER AND SIGNAL	
					CHECKED BY DATE SBGIEL 2007/08/14		MOLEX INCORPORATED	
					APPROVED BY DATE APATEL 2011/10/28		SHEET NO. 1 OF 1	
THIS DRAWING CONTAINS INFORMATION THAT IS PROPRIETARY TO MOLEX INCORPORATED AND SHOULD NOT BE USED WITHOUT WRITTEN PERMISSION								