

TABLE 1

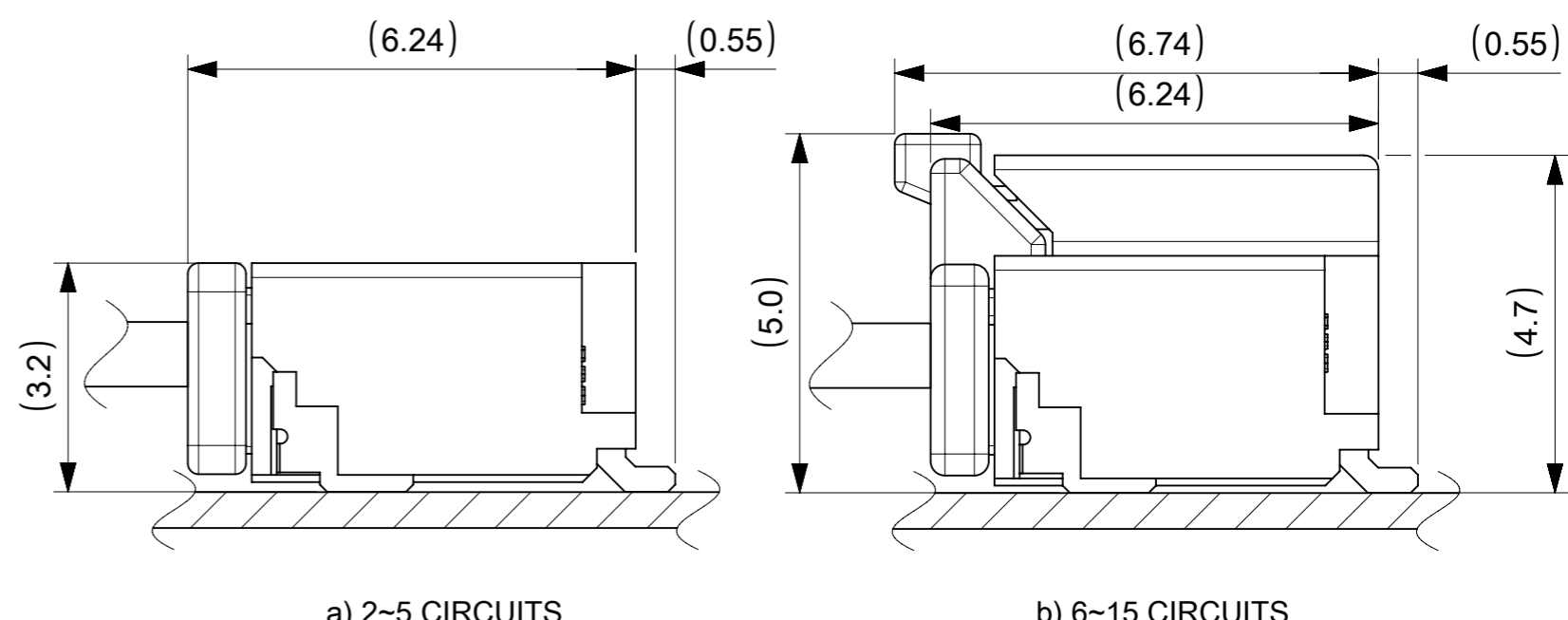
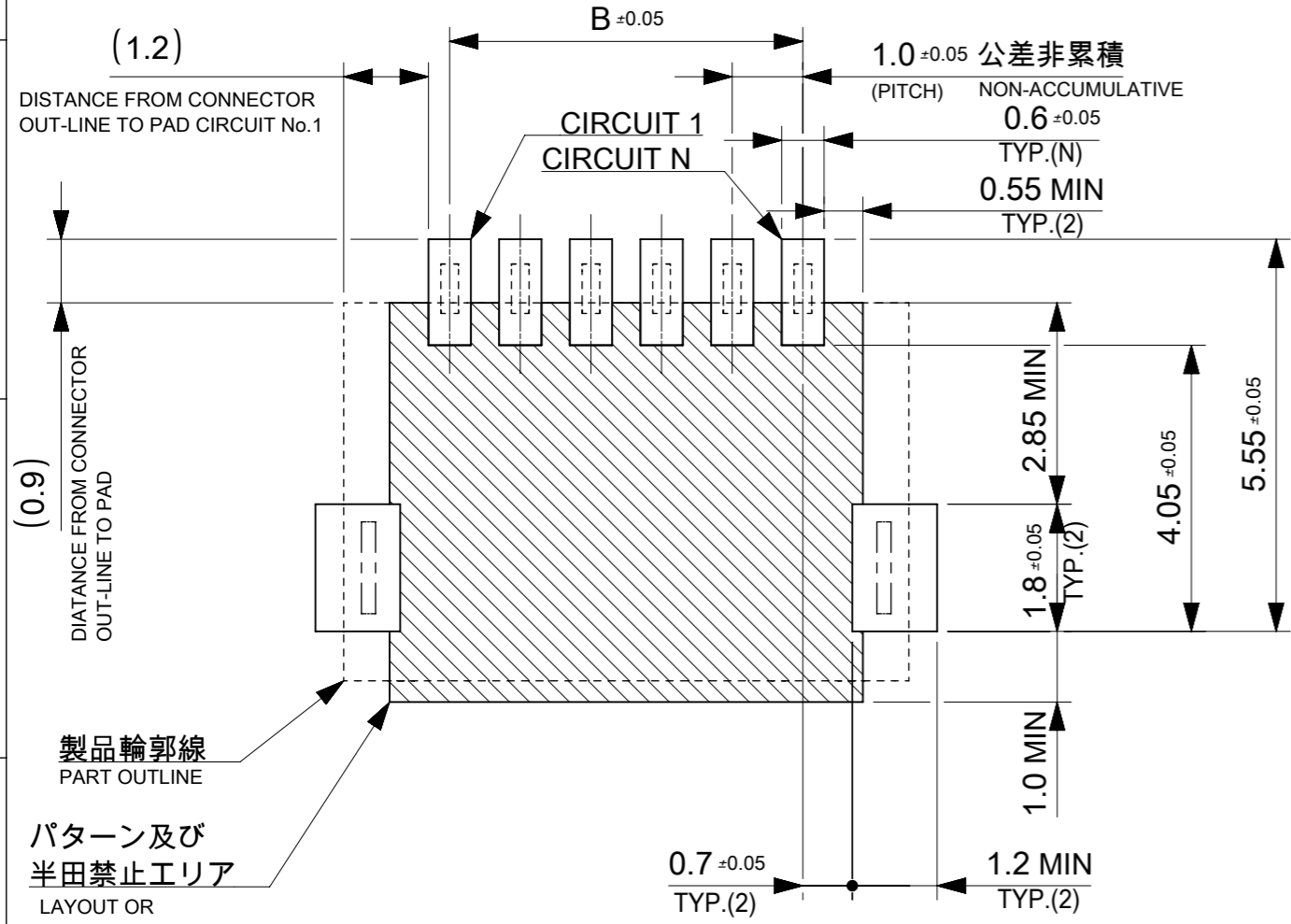
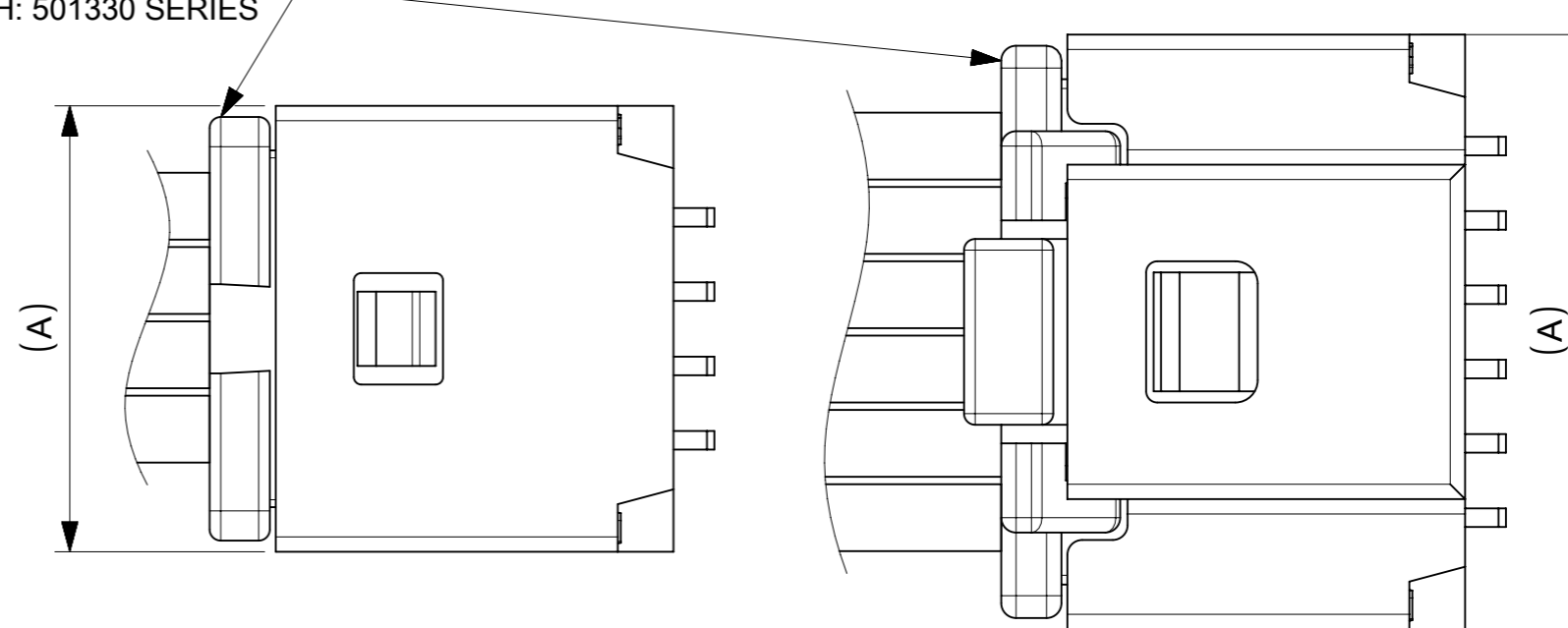
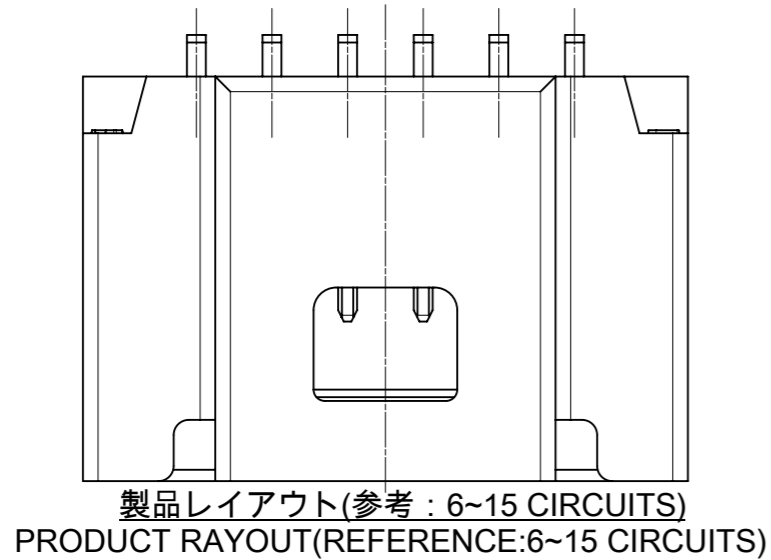
12.7	14.0	17.0	15
11.7	13.0	16.0	14
10.7	12.0	15.0	13
9.7	11.0	14.0	12
8.7	10.0	13.0	11
7.7	9.0	12.0	10
6.7	8.0	11.0	9
5.7	7.0	10.0	8
4.7	6.0	9.0	7
3.7	5.0	8.0	6
C	B	A	極数 CIRCUIT SIZE

番号 NO.	部品 PART	材質 MATERIAL	
①	ウエハー WAFER	ポリアミド(PA), ガラス充填, UL94V-0, LOW HALOGEN, 色 : SEE SHEET 6 POLYAMIDE(PA), GLASS FILLED, UL94V-0, LOW HALOGEN, COLOR : SEE SHEET 6	
②	ソルダーピン SOLDER PIN	リン青銅 PHOSPHOR BRONZE	
		接点部 CONTACT AREA	金めっき : めっき厚はNOTES 10参照 GOLD PLATING : SEE NOTES 10 ABOUT THICKNESS
		テール部 TAIL AREA	金めっき GOLD PLATING
③	ネイル NAIL	下地めっき UNDER PLATING	ニッケルめっき : 1.0 MICRO-METER MIN NICKEL PLATING
		黄銅 BRASS	
		テール部 TAIL AREA	錫めっき : 1.0 MICRO-METER MIN MATTE TIN PLATING
		下地めっき UNDER PLATING	ニッケルめっき : 1.0 MICRO-METER MIN NICKEL PLATING

THIS DRAWING CONTAINS INFORMATION THAT IS PROPRIETARY TO MOLEX ELECTRONIC TECHNOLOGIES, LLC AND SHOULD NOT BE USED WITHOUT WRITTEN PERMISSION

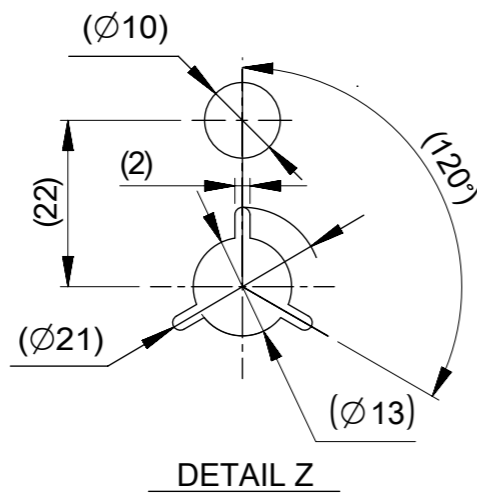
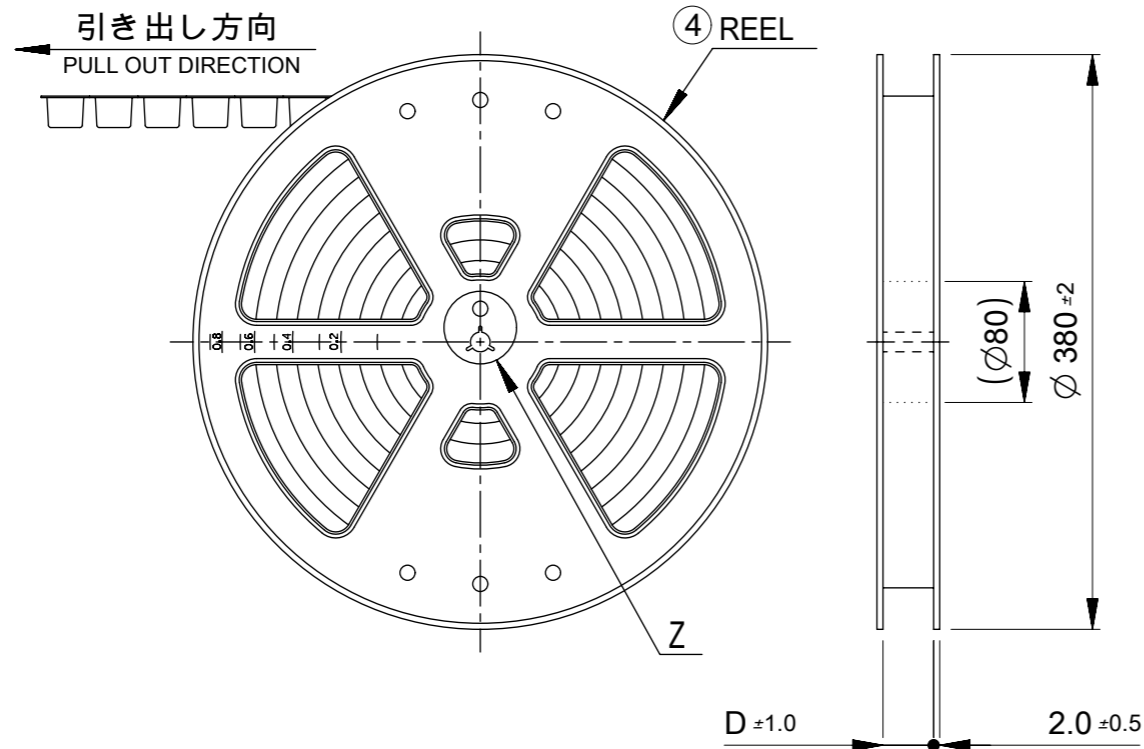
DIMENSION UNITS mm	SCALE NTS	CURRENT REV DESC:		molex			
GENERAL TOLERANCES (UNLESS SPECIFIED)		EC NO: 637929					
ANGULAR TOL	± 3.0 °	DRWN: AISHIKAWA 2020/05/20		PRODUCT CUSTOMER DRAWING			
4 PLACES	± 0.2	CHK'D: AIDA 2020/05/22		DOCUMENT NUMBER			
3 PLACES	± 0.2	APPR: SAKIYAMA 2020/05/22		2083870000-SD			
2 PLACES	± 0.2	INITIAL REVISION:		DOC TYPE DOC PART REVISION			
1 PLACE	± 0.2	DRWN: AISHIKAWA 2018/12/25		PSD 000 C			
0 PLACES	± 0.2	APPR: KOMURAKAMI 2019/02/06		SHEET NUMBER			
DRAFT WHERE APPLICABLE MUST REMAIN WITHIN DIMENSIONS		THIRD ANGLE PROJECTION	DRAWING	SERIES	MATERIAL NUMBER	CUSTOMER	
			A3-SIZE	208387	SEE SHEET 6	GENERAL	2 OF 6

5 嵌合相手 : 501330シリーズ
MATE WITH: 501330 SERIES



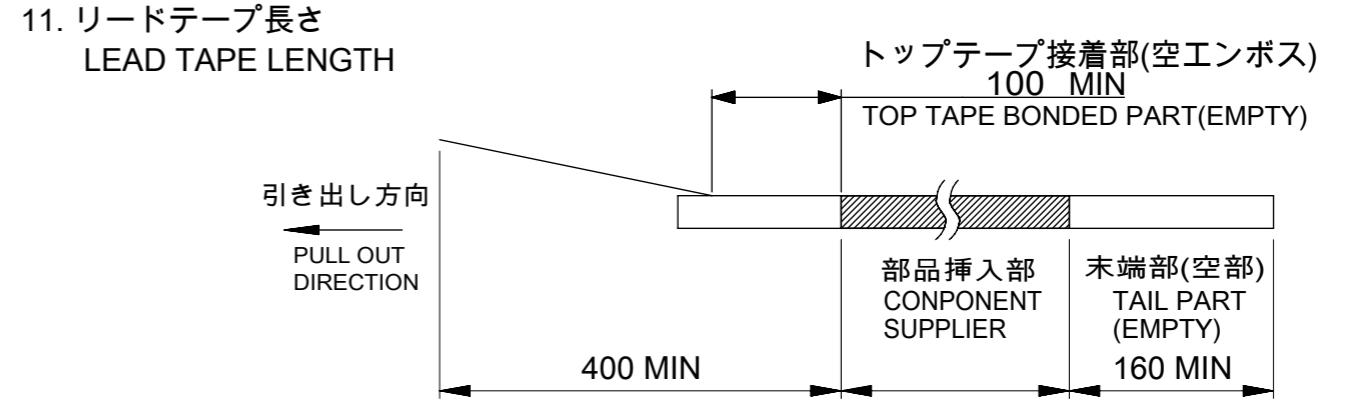
嵌合図
MATED CONNECTORS

THIS DRAWING CONTAINS INFORMATION THAT IS PROPRIETARY TO MOLEX ELECTRONIC TECHNOLOGIES, LLC AND SHOULD NOT BE USED WITHOUT WRITTEN PERMISSION		CURRENT REV DESC:		molex	
DIMENSION UNITS	SCALE				
mm	NTS			PICO-CLASP 1.0 W/B SINGLE ROW R/A SMT INNER LOCK GOLD PLATING LOW HALOGEN	
GENERAL TOLERANCES (UNLESS SPECIFIED)				PRODUCT CUSTOMER DRAWING	
ANGULAR TOL	± 3.0 °			DOCUMENT NUMBER	
4 PLACES	± 0.2	EC NO: 637929	2020/05/20	2083870000-SD	
3 PLACES	± 0.2	DRWN: AISHIKAWA	2020/05/22	DOC TYPE	DOC PART
2 PLACES	± 0.2	CHK'D: AIDA	2020/05/22	PSD	000
1 PLACE	± 0.2	APPR: SAKIYAMA	2020/05/22	REVISION	
0 PLACES	± 0.2	INITIAL REVISION:		C	
DRAFT WHERE APPLICABLE MUST REMAIN WITHIN DIMENSIONS		DRWN: AISHIKAWA	2018/12/25	SHEET NUMBER	
THIRD ANGLE PROJECTION		APPR: KOMURAKAMI	2019/02/06	3 OF 6	
DRAWING		SERIES	MATERIAL NUMBER	CUSTOMER	
A3-SIZE		208387	SEE SHEET 6	GENERAL	



NOTES

10. 梱包数量
 2-5 CIRCUIT: 1700個/リール
 6-15 CIRCUIT: 1300個/リール
 NUMBER OF CONNECTORS
 2-5 CIRCUIT : 1700 PIECES/REEL
 6-15 CIRCUIT : 1300 PIECES/REEL



11. リードテープ長さ
 LEAD TAPE LENGTH
12. トップテープの剥離強度はIEC60286-3に準拠。
 TOP TAPE PEELING FORCE IS DEFINED BY IEC60286-3.
13. 梱包仕様書 : 2083879200-SPK PS 200
 PACKAGE SPECIFICATION:

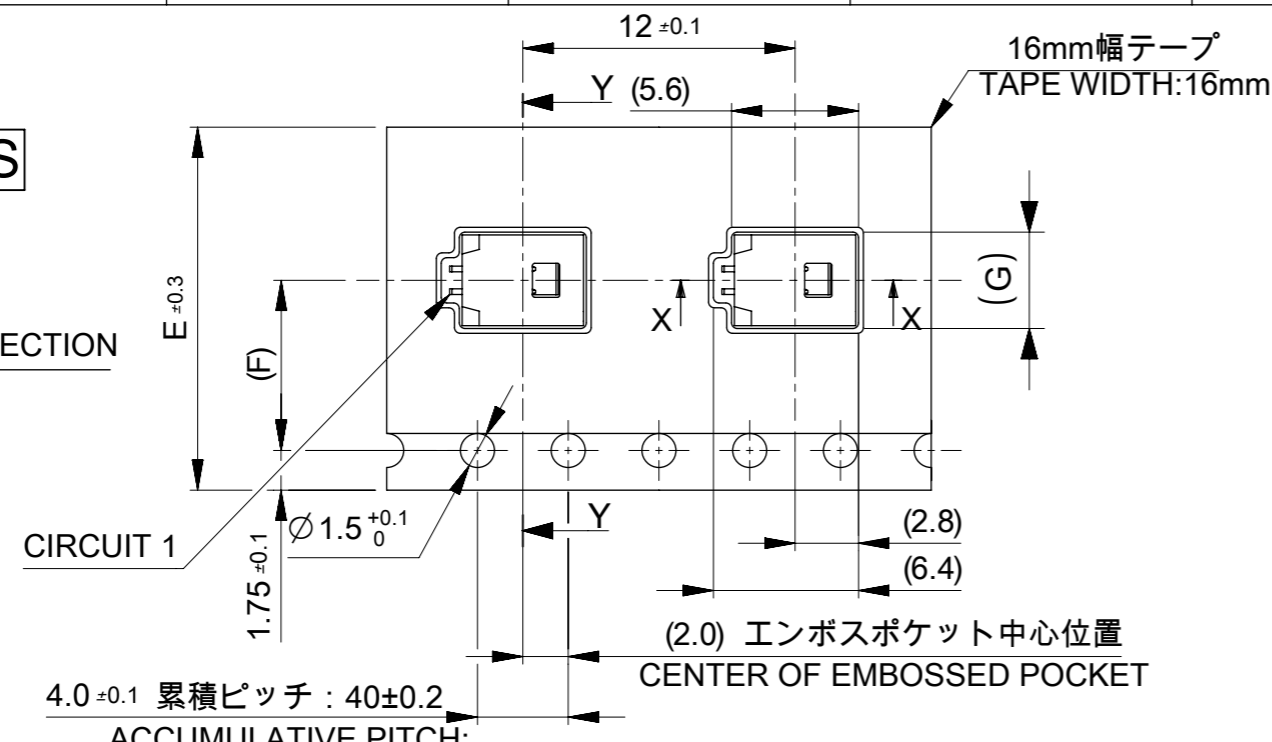
33.4	15
	14
	13
25.4	12
	11
	10
	9
	8
	7
17.5	6
	5
	4
	3
D	極数 CIRCUIT SIZE

番号 NO.	部品 PART	材質 MATERIAL
④	リール REEL	ポリスチレン(PS) <リサイクル材を含む> POLYSTYRENE(PS) <RECYCLE MATERIAL CONTAINED>
DOCUMENT STATUS	P1	RELEASE DATE 2020/05/22 02:13:25

THIS DRAWING CONTAINS INFORMATION THAT IS PROPRIETARY TO MOLEX ELECTRONIC TECHNOLOGIES, LLC AND SHOULD NOT BE USED WITHOUT WRITTEN PERMISSION

DIMENSION UNITS mm	SCALE NTS	CURRENT REV DESC:	molex		
GENERAL TOLERANCES (UNLESS SPECIFIED)	ANGULAR TOL ± 3.0 °	EC NO: 637929			
4 PLACES ± 0.2	3 PLACES ± 0.2	DRWN: AISHIKAWA 2020/05/20	PRODUCT CUSTOMER DRAWING		
2 PLACES ± 0.2	1 PLACE ± 0.2	CHK'D: AIDA 2020/05/22	DOCUMENT NUMBER		
0 PLACES ± 0.2		APPR: SAKIYAMA 2020/05/22	2083870000-SD		
		INITIAL REVISION:	DOC TYPE	DOC PART	REVISION
		DRWN: AISHIKAWA 2018/12/25	PSD	000	C
		APPR: KOMURAKAMI 2019/02/06	MATERIAL NUMBER	CUSTOMER	SHEET NUMBER
DRAFT WHERE APPLICABLE MUST REMAIN WITHIN DIMENSIONS	THIRD ANGLE PROJECTION	DRAWING	SEE SHEET 6	GENERAL	4 OF 6
		A3-SIZE	SERIES		
		208387			

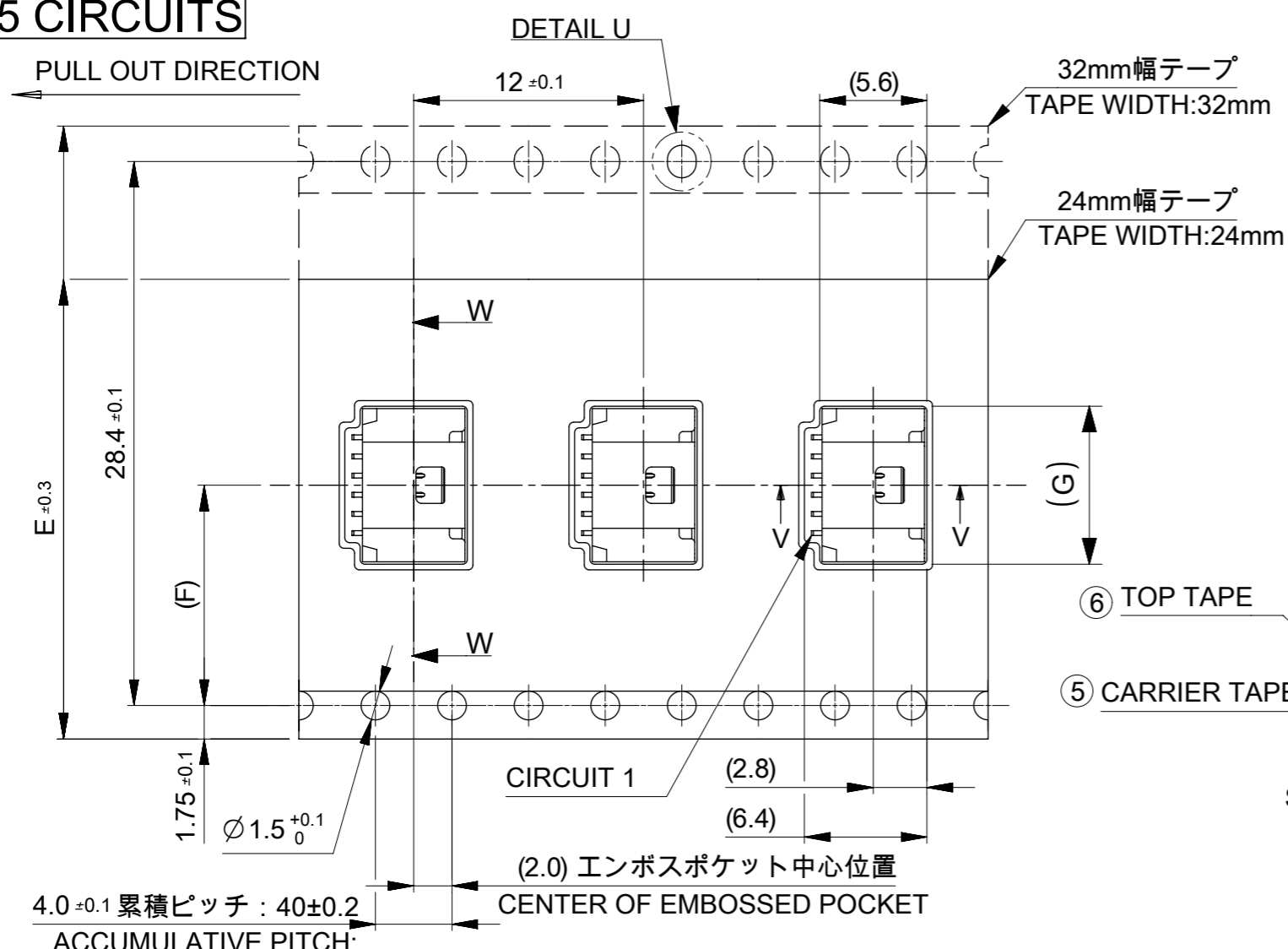
2~5 CIRCUITS



SECTION Y-Y

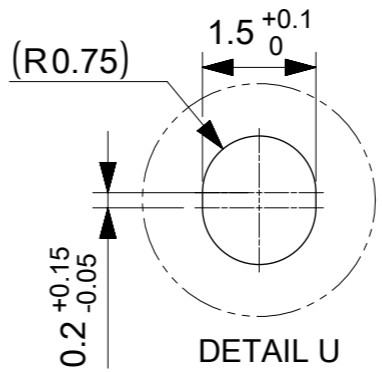
SECTION X-X

6~15 CIRCUITS



SECTION W-W

SECTION V-V



CONNECTOR

17.3			15
16.3	14.2	32	14
15.3			13
14.3			12
13.3			11
12.3			10
11.3	11.5	24	9
10.3			8
9.3			7
8.3			6
7.3			5
6.3	7.5	16	4
5.3			3
4.3			2
G	コネクタ中心位置 F CENTER OF CONNECTOR	エンボステープ幅 E WIDTH OF TAPE	極数 CIRCUIT SIZE

番号 NO.	部品 PART	材質 MATERIAL
⑤	キャリアテープ CARRIER TAPE	ポリプロピレン(PP)、その他 POLYPROPYLEN(PP), etc
⑥	トップテープ TOP TAPE	ポリエチレン(PE)、その他 POLYETHYLENE(PE), etc

DOCUMENT STATUS	P1	RELEASE DATE	2020/05/22	02:13:25
-----------------	----	--------------	------------	----------

THIS DRAWING CONTAINS INFORMATION THAT IS PROPRIETARY TO MOLEX ELECTRONIC TECHNOLOGIES, LLC AND SHOULD NOT BE USED WITHOUT WRITTEN PERMISSION

mm NTS

GENERAL TOLERANCES (UNLESS SPECIFIED)

ANGULAR TOL ± 3.0°

4 PLACES ± 0.2

3 PLACES ± 0.2

2 PLACES ± 0.2

1 PLACE ± 0.2

0 PLACES ± 0.2

DRAFT WHERE APPLICABLE MUST REMAIN WITHIN DIMENSIONS

THIRD ANGLE PROJECTION

DRAWING A3-SIZE

SERIES 208387

MATERIAL NUMBER SEE SHEET 6

CUSTOMER GENERAL

SHEET NUMBER 5 OF 6

EC NO: 637929

DRWN: AISHIKAWA 2020/05/20

CHK'D: AIDA 2020/05/22

APPR: SAKIYAMA 2020/05/22

INITIAL REVISION:

DRWN: AISHIKAWA 2018/12/25

APPR: KOMURAKAMI 2019/02/06

DOCUMENT NUMBER 2083870000-SD

DOC TYPE PSD

DOC PART 000

REVISION C

molex

PICO-CLASP 1.0 W/B

SINGLE ROW R/A SMT INNER LOCK GOLD PLATING

LOW HALOGEN

PRODUCT CUSTOMER DRAWING

△10 製品一覧 PRODUCT LIST

0.76 MICRO-METER		0.38 MICRO-METER		0.1 MICRO-METER		金めっき厚 GOLD PLATING THICKNESS
黒 BLACK	自然色 NATURAL(BEIGE)	黒 BLACK	自然色 NATURAL(BEIGE)	黒 BLACK	自然色 NATURAL(BEIGE)	色 COLOR
208387 1513	208387 1503	208387 1515	208387 1505	208387 1517	208387 1507	15
1413	1403	1415	1405	1417	1407	14
1313	1303	1315	1305	1317	1307	13
1213	1203	1215	1205	1217	1207	12
1113	1103	1115	1105	1117	1107	11
1013	1003	1015	1005	1017	1007	10
0913	0903	0915	0905	0917	0907	9
0813	0803	0815	0805	0817	0807	8
0713	0703	0715	0705	0717	0707	7
0613	0603	0615	0605	0617	0607	6
0513	0503	0515	0505	0517	0507	5
0413	0403	0415	0405	0417	0407	4
▽ 0313	▽ 0303	▽ 0315	▽ 0305	▽ 0317	▽ 0307	3
208387 0213	208387 0203	208387 0215	208387 0205	208387 0217	208387 0207	2
発注番号 ORDER No.						極数
PACKAGING STAYLE : EMBOSSED TAPE AND REEL						CIRCUIT SIZE

THIS DRAWING CONTAINS INFORMATION THAT IS PROPRIETARY TO MOLEX ELECTRONIC TECHNOLOGIES, LLC AND SHOULD NOT BE USED WITHOUT WRITTEN PERMISSION		CURRENT REV DESC:		molex	
DIMENSION UNITS mm	SCALE NTS	EC NO: 637929			
GENERAL TOLERANCES (UNLESS SPECIFIED)		DRWN: AISHIKAWA 2020/05/20		SINGLE ROW R/A SMT INNER LOCK GOLD PLATING LOW HALOGEN	
ANGULAR TOL ± 3.0 °		CHK'D: AIDA 2020/05/22		PRODUCT CUSTOMER DRAWING	
4 PLACES ± 0.2	APPR: SAKIYAMA 2020/05/22		DOCUMENT NUMBER		DOC TYPE
3 PLACES ± 0.2	INITIAL REVISION:		2083870000-SD		DOC PART
2 PLACES ± 0.2	DRWN: AISHIKAWA 2018/12/25		2019/02/06		REVISION
1 PLACE ± 0.2	APPR: KOMURAKAMI		SERIES		
0 PLACES ± 0.2	THIRD ANGLE PROJECTION		DRAWING		
DRAFT WHERE APPLICABLE MUST REMAIN WITHIN DIMENSIONS		DRAWING		SHEET NUMBER	
		A3-SIZE		6 OF 6	