

ATS48D17Y

soft starter for asynchronous motor, ATS48, 14 A, 208..690 V, 4..15 KW



Main

| | |
|------------------------------|---|
| Range of Product | Altistart 48 |
| Product or Component Type | Soft starter |
| Product destination | Asynchronous motors |
| Product Specific Application | Heavy duty industry and pumps |
| Device short name | ATS48 |
| Power supply voltage | 208...690 V - 15...10 % |
| Motor power kW | 11 KW 660 V for standard applications 11 KW 690 V for severe applications 15 KW 690 V for standard applications 3 KW 230 V for severe applications 4 KW 230 V for standard applications 9 KW 500 V for standard applications 9 KW 525 V for standard applications 9 KW 660 V for severe applications 7.5 KW 400 V for standard applications 7.5 KW 440 V for standard applications 7.5 KW 500 V for severe applications 7.5 KW 525 V for severe applications 5.5 KW 400 V for severe applications 5.5 kW 440 V for severe applications |
| Maximum Horse Power Rating | 10 Hp 460 V for standard applications 10 Hp 575 V for severe applications 15 Hp 575 V for standard applications 2 Hp 208 V for severe applications 3 Hp 208 V for standard applications 3 Hp 230 V for severe applications 5 Hp 230 V for standard applications 7.5 hp 460 V for severe applications |
| Power dissipation in W | 46 W for standard applications 59 W for standard applications |
| Utilisation category | AC-53A |
| Type of start | Start with torque control (current limited to 5 In) |
| Icl nominal current | 17 A connection in the motor supply line for severe applications 17 A connection in the motor supply line for standard applications |

Complementary

| | |
|------------------------------------|--|
| Assembly style | With heat sink |
| Function Available | External bypass (optional) |
| Power supply frequency | 50...60 Hz - 5...5 % |
| Power supply frequency limits | 47.5...63 Hz |
| Device connection | In the motor supply line |
| Discrete output number | 2 |
| Discrete output type | LO1) logic output 0 V common configurable LO2) logic output 0 V common configurable R1) relay outputs fault relay NO R2) relay outputs end of starting relay NO R3) relay outputs motor powered NO |
| Output absolute accuracy precision | +/- 5 % |
| Minimum switching current | 10 mA 6 V DC relay outputs |
| Maximum switching current | Logic output 0.2 A 30 V DC Relay outputs 1.8 A 230 V AC inductive, cos phi = 0.5 20 ms Relay outputs 1.8 A 30 V DC inductive, cos phi = 0.5 20 ms |

The information provided in this documentation contains general descriptions and/or technical characteristics of the performance of the products contained herein. This documentation is not intended as a substitute for and is not to be used for determining suitability or reliability of these products for specific user applications. It is the duty of any such user or integrator to perform the appropriate and complete risk analysis, evaluation and testing of the products with respect to the relevant specific application or use thereof. Neither Schneider Electric Industries SAS nor any of its affiliates or subsidiaries shall be responsible or liable for misuse of the information contained herein.

| | |
|-----------------------------|---|
| Discrete input number | 5 |
| Discrete input type | PTC, 750 Ohm 77 °F (25 °C) Stop, Run, LI3, LI4) logic, <= 8 mA 4300 Ohm |
| Discrete input voltage | 24 V <= 30 V |
| Discrete input logic | Positive logic Stop, Run, LI3, LI4 < 5 V <= 2 mA > 11 V, >= 5 mA |
| Starting current | 0.4...1.3 Icl adjustable |
| Analogue output type | Current output AO 0-20 mA or 4-20 mA 500 Ohm |
| Communication Port Protocol | Modbus |
| Connector type | 1 RJ45 |
| Communication data link | Serial |
| Physical interface | RS485 multidrop |
| Transmission Rate | 4800, 9600 or 19200 bps |
| Max nodes number | 31 |
| Protection type | Phase failure line Thermal protection motor Thermal protection starter |
| Marking | CE |
| Operating position | Vertical +/- 10 degree |
| Height | 10.83 in (275 mm) |
| Width | 6.30 in (160 mm) |
| Depth | 7.48 in (190 mm) |
| Net Weight | 10.80 lb(US) (4.9 kg) |
| Motor power range AC-3 | 2.2...3 KW 200...240 V 3 phase 4...6 KW 200...240 V 3 phase 7...11 kW 480...500 V 3 phase |
| Motor starter type | Soft starter |

Environment

| | |
|---------------------------------------|--|
| Electromagnetic compatibility | Conducted and radiated emissions level A IEC 60947-4-2 Conducted and radiated emissions level B IEC 60947-4-2 Damped oscillating waves level 3 IEC 61000-4-12 Electrostatic discharge level 3 IEC 61000-4-2 Immunity to electrical transients level 4 IEC 61000-4-4 Immunity to radiated radio-electrical interference level 3 IEC 61000-4-3 Voltage/current impulse level 3 IEC 61000-4-5 |
| Standards | EN/IEC 60947-4-2 |
| Product Certifications | TCF DNV CSA UL CCC C-tick GOST SEPRO NOM 117 |
| Relative humidity | 0...95 % without condensation or dripping water EN/IEC 60068-2-3 |
| Ambient air temperature for operation | 104...140 °F (40...60 °C) with current derating of 2 % per °C) 14...104 °F (-10...40 °C) without derating) |
| Ambient Air Temperature for Storage | -13...158 °F (-25...70 °C) |
| Operating altitude | <= 3280.84 ft (1000 m) without derating > 3280.84...6561.68 ft (> 1000...2000 m) with current derating of 2.2 % per additional 100 m |

Ordering and shipping details

| | |
|-----------------------|------------------------------|
| Category | 22579 - OPEN ATS48 ALTISTART |
| Discount Schedule | CP1G |
| GTIN | 3389110982190 |
| Nbr. of units in pkg. | 1 |
| Package weight(Lbs) | 13.57 lb(US) (6.155 kg) |
| Returnability | Yes |
| Country of origin | ID |

Packing Units

| | |
|------------------------------|--------------------------|
| Unit Type of Package 1 | PCE |
| Package 1 Height | 11.42 in (29 cm) |
| Package 1 width | 10.12 in (25.7 cm) |
| Package 1 Length | 14.49 in (36.8 cm) |
| Unit Type of Package 2 | PAL |
| Number of Units in Package 2 | 6 |
| Package 2 Weight | 87.42 lb(US) (39.653 kg) |
| Package 2 Height | 40.00 in (101.6 cm) |
| Package 2 width | 36.00 in (91.44 cm) |
| Package 2 Length | 48.00 in (121.92 cm) |
| Unit Type of Package 3 | S06 |
| Number of Units in Package 3 | 8 |
| Package 3 Weight | 137.22 lb(US) (62.24 kg) |
| Package 3 Height | 28.94 in (73.5 cm) |
| Package 3 width | 23.62 in (60 cm) |
| Package 3 Length | 31.50 in (80 cm) |

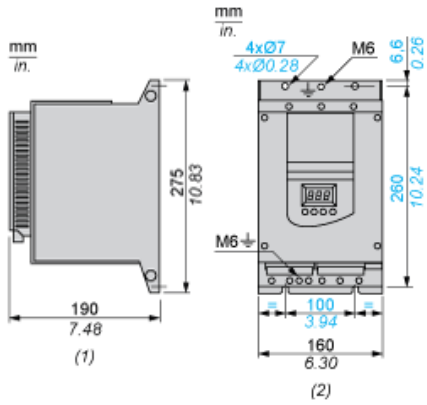
Offer Sustainability

| | |
|----------------------------|---|
| Sustainable offer status | Green Premium product |
| California proposition 65 | WARNING: This product can expose you to chemicals including: Lead and lead compounds, which is known to the State of California to cause cancer and birth defects or other reproductive harm. For more information go to www.P65Warnings.ca.gov |
| REACH Regulation | REACH Declaration |
| EU RoHS Directive | Pro-active compliance (Product out of EU RoHS legal scope) EU RoHS Declaration |
| Mercury free | Yes |
| RoHS exemption information | Yes |
| China RoHS Regulation | China RoHS Declaration |
| Environmental Disclosure | Product Environmental Profile |
| Circularity Profile | End Of Life Information |
| WEEE | The product must be disposed on European Union markets following specific waste collection and never end up in rubbish bins. |

Contractual warranty

| | |
|----------|-----------|
| Warranty | 18 months |
|----------|-----------|

Dimensions



- (1) Right View
- (2) Front View

Clearance

