

PN/DATE CODE TO BE PRINTED ON THE BACK OF COMPLETED CAGE ASSEMBLY APPROXIMATELY AS SHOWN.

WEEK/YEAR DATE CODE TABLE	
WW	01 THRU 52 OR 53 EXAMPLE: 01 = FIRST WEEK OF YEAR
YY	22, 23, 24 ETC. EXAMPLE: YEAR 2022 = 22

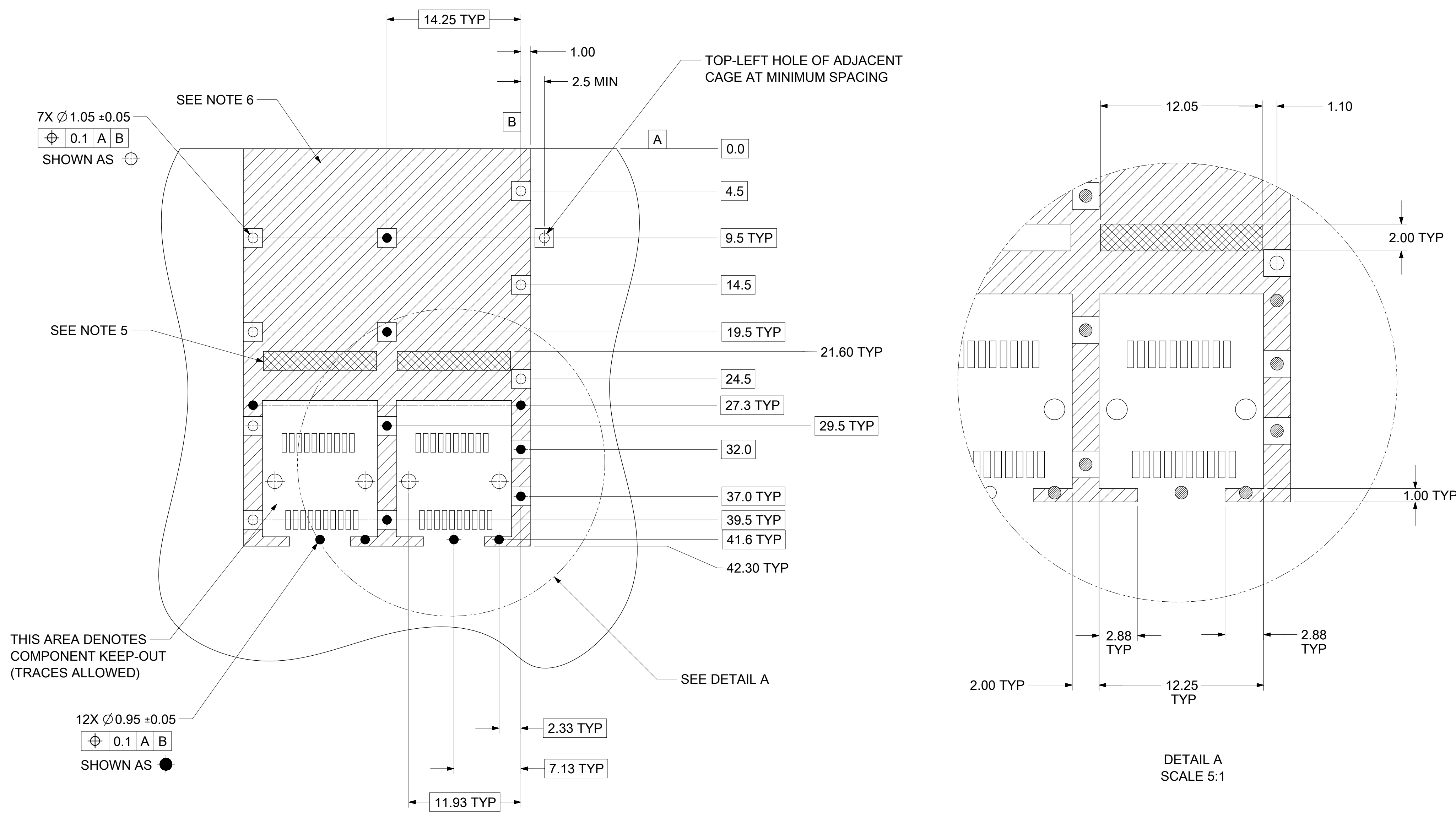
NOTES:

- MATERIAL:**
 CAGE: 0.25mm THICK COPPER ALLOY, NICKEL PLATED.
 SPRING FINGERS: STAINLESS STEEL.
 HEATSINK SPRING CLIP: STAINLESS STEEL.
- SOLDER POST LEGS 1.9mm LONG
- PORTS ARE DESIGNED FOR SFP+ TRANSCEIVERS AND ARE COMPATIBLE WITH SFP TRANSCEIVERS. THE TOP SURFACE OF THE MODULE MUST BE FLAT (NO PRODUCT LABEL RECESS) AND THERMALLY CONDUCTIVE TO FUNCTION OPTIMALLY.
- WELD SPOT MAY SHOW SLIGHT MATERIAL DISCOLORATION.
- NO ROHS EXEMPTIONS.
- 1.57mm MINIMUM PCB THICKNESS FOR SINGLE SIDED USE.

FUNCTIONAL SYMBOLS $\nabla_A = 0$ $\nabla_E = 0$ $\nabla_P = 0$	THIS DRAWING CONTAINS INFORMATION THAT IS PROPRIETARY TO MOLEX ELECTRONIC TECHNOLOGIES, LLC AND SHOULD NOT BE USED WITHOUT WRITTEN PERMISSION		CURRENT REV DESC: SEE REVISION TABLE		
	DIMENSION UNITS	SCALE	EC NO: 706897		
	mm	2:1	DRWN: PKH	2022/04/05	molex SFP+ 1X2 CAGE ASSY, CLOSE TOP, SOLDER PIN TYPE, W/SUS SPRING FINGER
	GENERAL TOLERANCES (UNLESS SPECIFIED)		CHK'D: TKUMARKC	2022/05/18	
ANGULAR TOL ± 1.0°		APPR: SCHIEN	2022/05/19	PRODUCT CUSTOMER DRAWING	
4 PLACES ±		INITIAL REVISION:		DOCUMENT NUMBER	
3 PLACES ±		DRWN: PKH	2022/04/05	747548248	
2 PLACES ± 0.13		APPR: SCHIEN	2022/05/19	PSD ASY A	
1 PLACE ± 0.25		THIRD ANGLE PROJECTION		MATERIAL NUMBER	
0 PLACES ±		DRAWING	SERIES	CUSTOMER	
DRAFT WHERE APPLICABLE MUST REMAIN WITHIN DIMENSIONS		C-SIZE	74754	747548248	
				SHEET NUMBER	
				1 OF 4	

DOCUMENT STATUS	P1	RELEASE DATE	2022/05/19 07:40:29
-----------------	----	--------------	---------------------

PCB LAYOUT - SINGLE SIDE ONLY



THIS AREA DENOTES COMPONENT KEEP-OUT (TRACES ALLOWED)

SEE DETAIL A

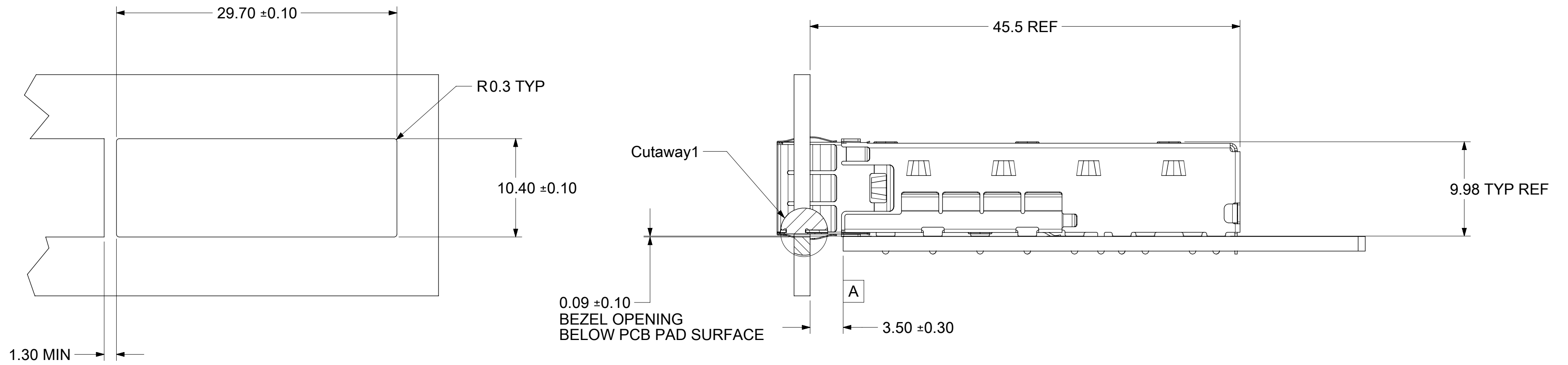
DETAIL A
SCALE 5:1

- NOTES:**
- PADS AND VIAS CONNECT TO CHASSIS GROUND
RECOMMEND PADS TO BE 2.00mm SQUARE
 - RECOMMENDED THRU HOLE PLATING INCLUDES HASL, OSP, OR IMMERSION (GOLD, SILVER, OR TIN)
 - CONNECTOR PAD LAYOUT PER SFP+ MSA WILL ACCOMODATE MOLEX CONNECTOR SERIES 74441 OR EQUIVALENT.
 - SPACING BETWEEN PORTS IS 14.25mm
 - CROSS-HATCHED AREA IS EXPOSED CHASSIS GROUND (NO OSP)
 - HATCHED AREA IS COMPONENT AND TRACE KEEP-OUT (EXCEPT CHASSIS GROUND)

THIS DRAWING CONTAINS INFORMATION THAT IS PROPRIETARY TO MOLEX ELECTRONIC TECHNOLOGIES, LLC AND SHOULD NOT BE USED WITHOUT WRITTEN PERMISSION											
FUNCTIONAL SYMBOLS		DIMENSION UNITS		SCALE		CURRENT REV DESC: SEE REVISION TABLE					
$\frac{F}{A} = 0$ $\frac{E}{C} = 0$ $\frac{P}{D} = 0$		mm		3.5:1							
DIVISIONAL SYMBOLS		GENERAL TOLERANCES (UNLESS SPECIFIED)		ANGULAR TOL		EC NO: 706897		DRWN: PKH		2022/04/05	
		3 PLACES ±		± 1.0°		CHK'D: TKUMARKC		APPR: SCHIEN		2022/05/18	
		2 PLACES ± 0.13				INITIAL REVISION:		DRWN: PKH		2022/04/05	
		1 PLACE ± 0.25				APPR: SCHIEN		APPR: SCHIEN		2022/05/19	
		0 PLACES ±				DRAFT WHERE APPLICABLE MUST REMAIN WITHIN DIMENSIONS		THIRD ANGLE PROJECTION		DRAWING SERIES	
						C-SIZE		74754		MATERIAL NUMBER	
										CUSTOMER	
										SHEET NUMBER	
										2 OF 4	

DOCUMENT STATUS	P1	RELEASE DATE	2022/05/19 07:40:29
-----------------	----	--------------	---------------------

BEZEL AND BOARD POSITION DIMENSIONS FOR SINGLE SIDE MOUNTING (SPRING FINGER)



NOTE:
1. PCB THICKNESS VARIATION MUST BE CONSIDERED WHEN DETERMINING BEZEL OPENING, SIZE, AND LOCATION.

THIS DRAWING CONTAINS INFORMATION THAT IS PROPRIETARY TO MOLEX ELECTRONIC TECHNOLOGIES, LLC AND SHOULD NOT BE USED WITHOUT WRITTEN PERMISSION									
FUNCTIONAL SYMBOLS		DIMENSION UNITS		SCALE		CURRENT REV DESC: SEE REVISION TABLE			
FA = 0		mm		2:1		EC NO: 706897 DRWN: PKH 2022/04/05 CHK'D: TKUMARKC 2022/05/18 APPR: SCHIEN 2022/05/19 PRODUCT CUSTOMER DRAWING			
FC = 0		GENERAL TOLERANCES (UNLESS SPECIFIED)							
FP = 0		ANGULAR TOL ± 1.0°							
DIVISIONAL SYMBOLS		4 PLACES ±		3 PLACES ±		INITIAL REVISION:		DOCUMENT NUMBER	
		2 PLACES ± 0.13		1 PLACE ± 0.25		DRWN: PKH 2022/04/05		747548248	
		0 PLACES ±		DRAFT WHERE APPLICABLE MUST REMAIN WITHIN DIMENSIONS		APPR: SCHIEN 2022/05/19		PSD ASY A	
		THIRD ANGLE PROJECTION		DRAWING		SERIES		MATERIAL NUMBER	
		C-SIZE		74754		747548248		CUSTOMER	
		SHEET NUMBER		3 OF 4					

REV	DATE	DESCRIPTION
A	2022/04/05	INITIAL RELEASE

FUNCTIONAL SYMBOLS FA = 0 FC = 0 FP = 0 DIVISIONAL SYMBOLS 3 PLACES ± 2 PLACES ± 0.13 1 PLACE ± 0.25 0 PLACES ± DRAFT WHERE APPLICABLE MUST REMAIN WITHIN DIMENSIONS	THIS DRAWING CONTAINS INFORMATION THAT IS PROPRIETARY TO MOLEX ELECTRONIC TECHNOLOGIES, LLC AND SHOULD NOT BE USED WITHOUT WRITTEN PERMISSION		DIMENSION UNITS: mm SCALE: 1:1		CURRENT REV DESC: SEE REVISION TABLE				
	GENERAL TOLERANCES (UNLESS SPECIFIED) ANGULAR TOL ± 1.0°		EC NO: 706897 DRWN: PKH 2022/04/05 CHK'D: TKUMARKC 2022/05/18 APPR: SCHIEN 2022/05/19		SFP+ 1X2 CAGE ASSY, CLOSE TOP, SOLDER PIN TYPE, W/SUS SPRING FINGER				
	INITIAL REVISION: DRWN: PKH 2022/04/05 APPR: SCHIEN 2022/05/19		PRODUCT CUSTOMER DRAWING			DOCUMENT NUMBER: 747548248 DOC TYPE: PSD DOC PART: ASY REVISION: A			
	THIRD ANGLE PROJECTION 		DRAWING: C-SIZE	SERIES: 74754	MATERIAL NUMBER: 747548248		CUSTOMER:		SHEET NUMBER: 4 OF 4