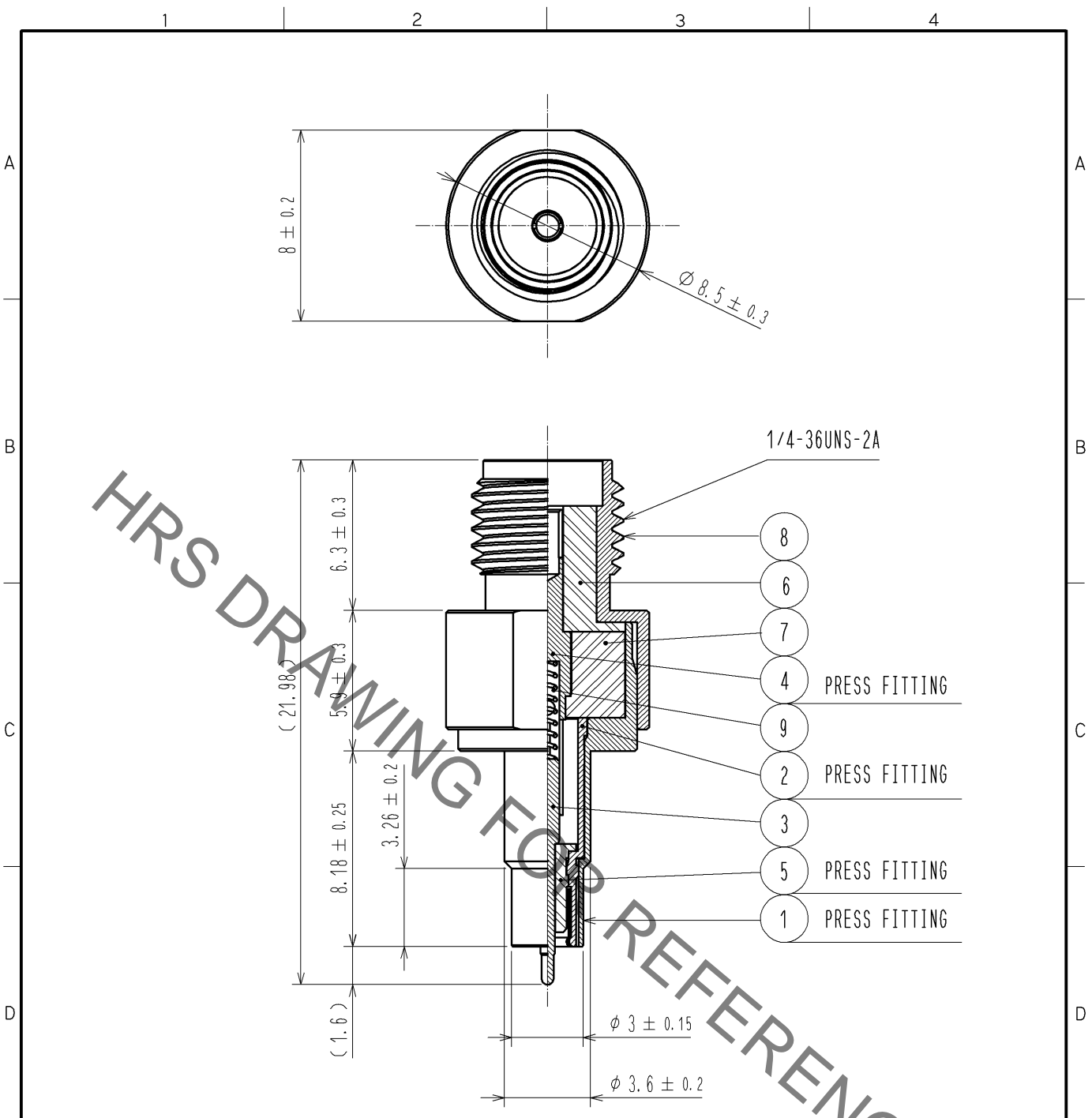


May.1.2023 Copyright 2023 HIROSE ELECTRIC CO., LTD. All Rights Reserved.
 In case of consideration for using Automotive equipment / device which demand high reliability, kindly contact our sales window correspondents.



NOTE. Use this product with MS-156C(CL358-0251-2).

5	PTFE			9	STAINLESS STEEL	GOLD PLATING	
4	BERYLLIUM COPPER	GOLD PLATING		8	STAINLESS STEEL	PASSIVATE	
3	BERYLLIUM COPPER	GOLD PLATING		7	PTFE		
2	BERYLLIUM COPPER	GOLD PLATING		6	PTFE		
1	STAINLESS STEEL	PASSIVATE					
NO.	MATERIAL	FINISH	REMARKS	NO.	MATERIAL	FINISH	REMARKS

UNITS mm	SCALE 4 : 1	COUNT	DESCRIPTION OF REVISIONS	DESIGNED	CHECKED	DATE
HRS HIROSE ELECTRIC CO., LTD.			APPROVED : KY. SHIMIZU 10.02.08 CHECKED : TY. OZAKI 10.02.08 DESIGNED : DS. YAMAKOSHI 10.02.04 DRAWN : TA. SATO 09.10.07	DRAWING NO. EDC4-180929-00 PART NO. MS-156-HRMJ-H1 CODE NO. CL358-0290-4-00	1/1	