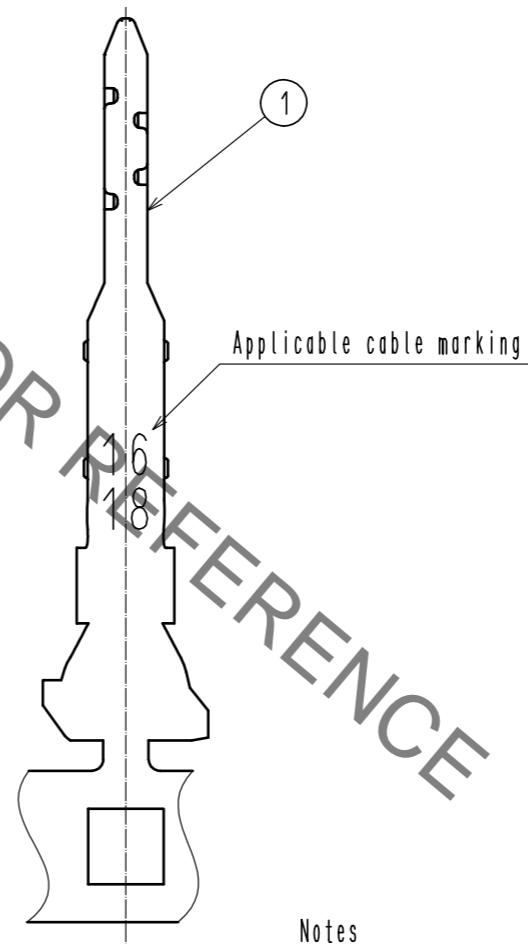
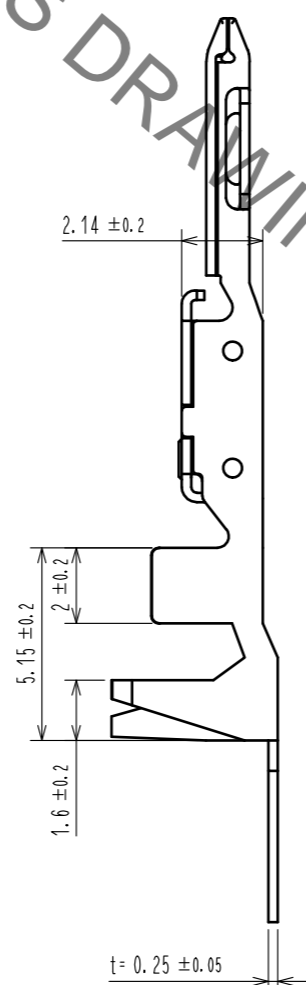
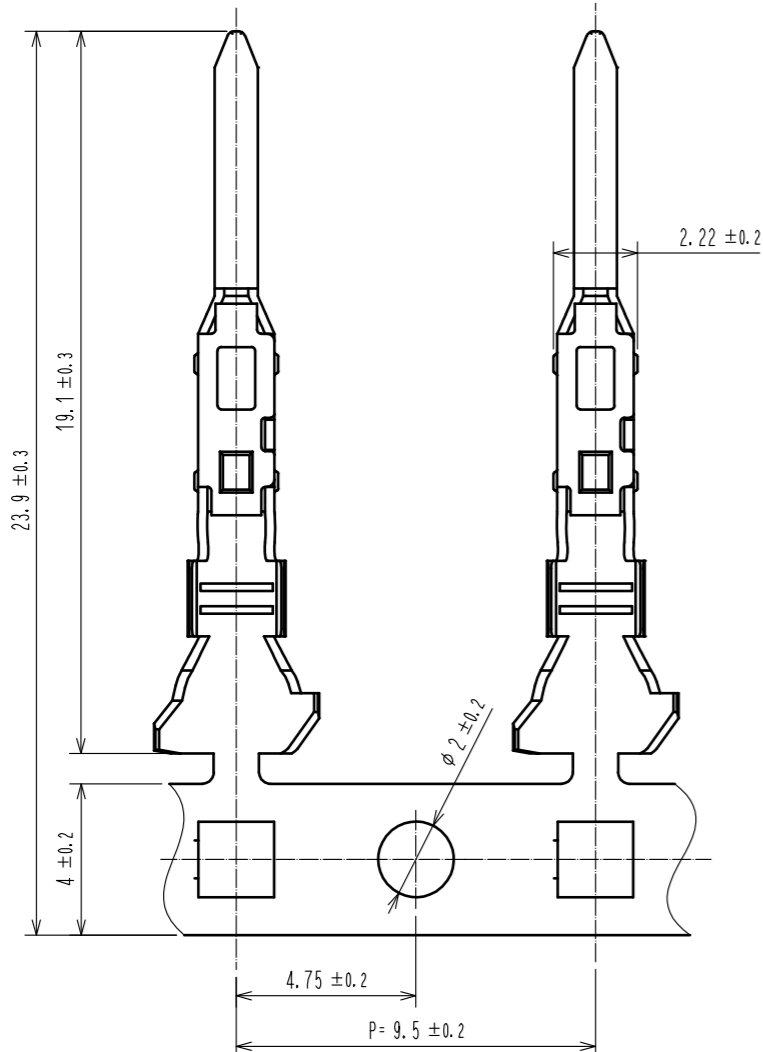
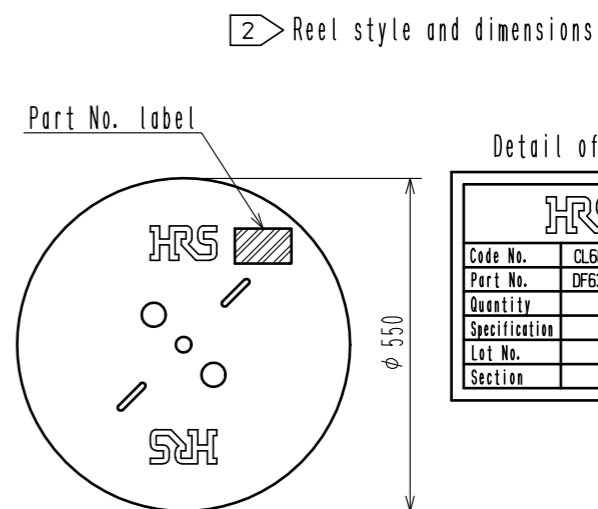
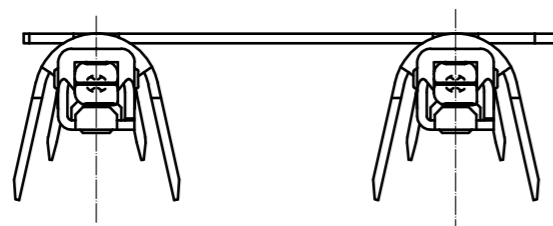


May.1.2023 Copyright 2023 HIROSE ELECTRIC CO., LTD. All Rights Reserved.  
In case of consideration for using Automotive equipment / device which demand high reliability, kindly contact our sales window correspondents.



HRS DRAWING FOR REFERENCE

- Notes
- 1RL : 4000 contacts.
  - 2 Style of reel and box are shown in figure.
  3. Up to 4 reels are packed up in one box.
  4. Please be sure to check the form of crimping using a cable when you adjust applicator.

1	Phosphor bronze	Tin plating : 1μm MIN
NO.	MATERIAL	FINISH . REMARKS

UNITS mm		SCALE 5 : 1	COUNT 	DESCRIPTION OF REVISIONS	DESIGNED	CHECKED	DATE
<b>HRS</b> HIROSE ELECTRIC CO., LTD.		APPROVED : HK. UMEHARA	15.03.10	DRAWING NO.	EDC-359205-00-00		
		CHECKED : HK. UMEHARA	15.03.10	PART NO.	DF63-1618PCF		
		DESIGNED : TO. HORII	15.03.10	CODE NO.	CL680-0529-2-00		
		DRAWN : TO. HORII	15.03.10		1/1		