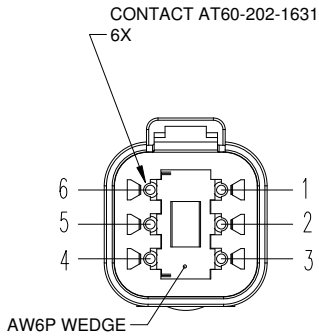


NOTES: UNLESS OTHERWISE SPECIFIED

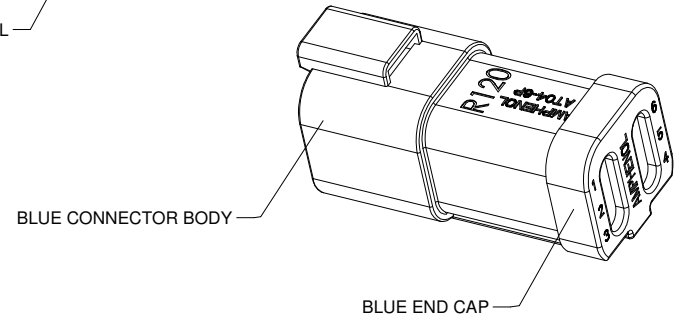
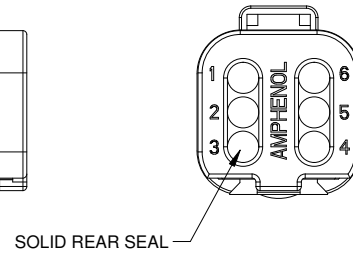
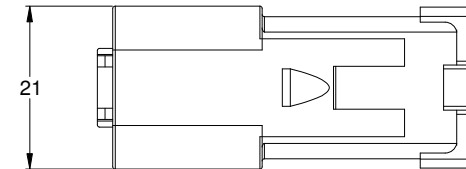
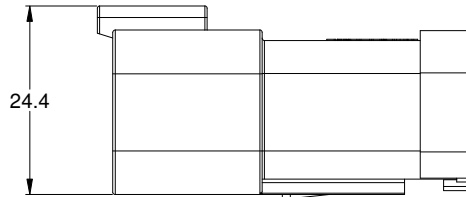
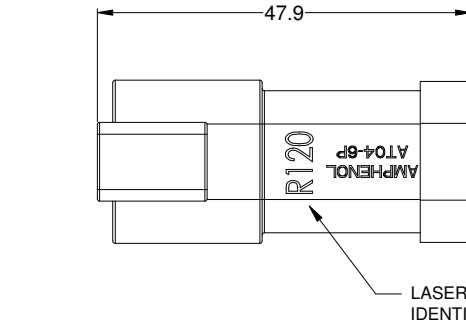
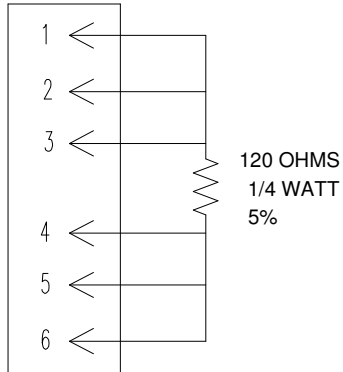
ALL DIMENSIONS ARE FOR REFERENCE ONLY.

PART NUMBER AT04-6P-R120BL COMES FULLY ASSEMBLED READY FOR INSTALLATION.

COLOR TO BE SINE SYSTEMS STANDARD 'AT' BLUE



WIRING DIAGRAM



REVISIONS					
REV	ECO	DESCRIPTION	DATE	BY	APPR
A1	-	RELEASE	17JUN15	RFC	

TITLE: RECEPT, 6-WAY AT, 120 OHM TERMINATOR
DWG NO: AT04-6P-R120BL
REV: A1
SH: 1
OF: 1

AT04-6P-R120BL		DESCRIPTION		ITEM
QUANTITY	PART NUMBER	MATERIALS LIST		
UNLESS OTHERWISE SPECIFIED		SIGNATURES	DATE	
1) All dimensions are in metric(mm).		DRAWN: R. CURRY	12JUN15	
2) Tolerances are as follows:		CHECKED:		
1 PL DEC ±0.30 Fractions ±1/64		ENGINEER:		
2 PL DEC ±0.15 Angles ±1°		APPROVAL:		
3 PL DEC ±0.08		CUSTOMER:		
3) Note reference =		THIS DRAWING IS SUPPLIED FOR INFORMATION ONLY. DESIGN FEATURES, SPECIFICATIONS AND PERFORMANCE DATA SHOWN HEREON ARE THE PROPERTY OF THE AMPHENOL CORPORATION. NO RIGHTS OF REPRODUCTION ARE IMPLIED. ALL DIMENSIONS ARE SUBJECT TO NORMAL MANUFACTURING VARIATIONS.		
MATERIAL SPECIFICATIONS:		RECEPT, 6-WAY AT, 120 OHM TERMINATOR		
PROCESS SPECIFICATIONS:		E	TYPE	DWG NO:
NEXT ASSY:		B	C-	AT04-6P-R120BL
		SCALE:	NONE	REVISION A1
		SHEET 1 OF 1		