

PolyPhase Single 240A Output Synchronous Buck Converter with Power System Management

DESCRIPTION

Demonstration circuit 2084A is a high efficiency, high density, single-output Buck converter with a 10V to 14V input voltage range. The output voltage is adjustable from 0.5V to 1.5V and can supply up to 240A of load current. The demo board features the [LTC[®]3884](#), a dual output PolyPhase[®] step-down controller for ultralow DCR sensing with digital power system management. Please see the LTC3884 data sheet for more detailed information.

The DC2084A powers up to default settings and produces power based on configuration resistors or with its non-volatile memory without the need for any serial bus communication. This allows easy evaluation of the DC/DC converter. To fully explore the extensive power system management features of the part, download the GUI software LTpowerPlay[®]

on-to your PC and use LTC's I²C/SMBus/PMBus dongle DC1613A to connect to the board. LTpowerPlay allows the user to reconfigure the part on the fly and store the configuration in EEPROM, view telemetry of voltage, current, temperature and fault status.

GUI Download—the software can be downloaded from:

<http://www.linear.com/ltpowerplay>

For more details and instructions of LTpowerPlay, please refer to LTpowerPlay GUI for LTC3884 demo manual.

Design files for this circuit board are available at <http://www.linear.com/demo/DC2084A>

LT, LT, LTC, LTM, Linear Technology, the Linear logo, PolyPhase and LTpowerPlay are registered trademarks of Linear Technology Corporation. All other trademarks are the property of their respective owners.

PERFORMANCE SUMMARY Specifications are at T_A = 25°C

PARAMETER	CONDITIONS	VALUE
Input Voltage Range		10V to 14V
Output Voltage, V _{OUT}	V _{IN} = 10V to 14V, Single Output, I _{OUT} = 0A to 240A	Default: 1V
Maximum Output Current, I _{OUT}	V _{IN} = 10V to 14V, Single Output, V _{OUT} = 0.5V to 1.5V ¹	240A
Typical Efficiency	V _{IN} = 12V, Single Output, V _{OUT} = 1.0V, 240A Load	90.4%
Peak Efficiency	V _{IN} = 12V, Single Output, V _{OUT} = 1.0V, 140A Load	91.3%
Default Switching Frequency		425kHz

Note 1: For V_{OUT} < 0.75V, f_{SW} needs to be reduced due to t_{ON(MIN)} limitation.

QUICK START PROCEDURE

Demonstration circuit 2084A is easy to set up to evaluate the performance of the LTC3884. Refer to Figure 1 for the proper measurement equipment setup and follow the procedure below.

1. With power off, connect the input power supply to V_{IN} (10V to 14V) and GND (input return).
2. Connect the output loads between V_{OUT} and GND (Initial load: no load). Refer to Figure 1.
3. Connect the DVMs to the input and output.
4. Check the default jumper/switch position: JP1: OFF; JP2: LOWDCR; JP3: RANGE_HIGH; JP4: OFF; JP5: INT; SW2: OFF.
5. Turn on the input power supply and adjust voltage to 12V.

NOTE: Make sure that the input voltage does not exceed 14V.
6. Turn on the switch: SW2: ON.
7. Check for the proper output voltages from V_{OUT}^+ to V_{OUT}^- .

8. Once the proper output voltage is established, adjust the loads within the operating range and observe the output voltage regulation, ripple voltage and other parameters.
9. Connect the dongle and control the output voltage from the GUI. See the [LTpowerPlay Quick Start Procedure](#) section for details.

Note: When measuring the output or input voltage ripple, do not use the long ground lead on the oscilloscope probe. See Figure 2 for the proper scope probe technique. Short, stiff leads need to be soldered to the (+) and (-) terminals of an output capacitor. The probe's ground ring needs to touch the (-) lead and the probe tip needs to touch the (+) lead.

Connecting a PC to DC2084A

You can use a PC to reconfigure the power management features of the LTC3884 such as: nominal V_{OUT} , margin set points, OV/UV limits, temperature fault limits, sequencing parameters, the fault log, fault responses and other functionality. The DC1613A dongle may be plugged when V_{IN} is present.

QUICK START PROCEDURE

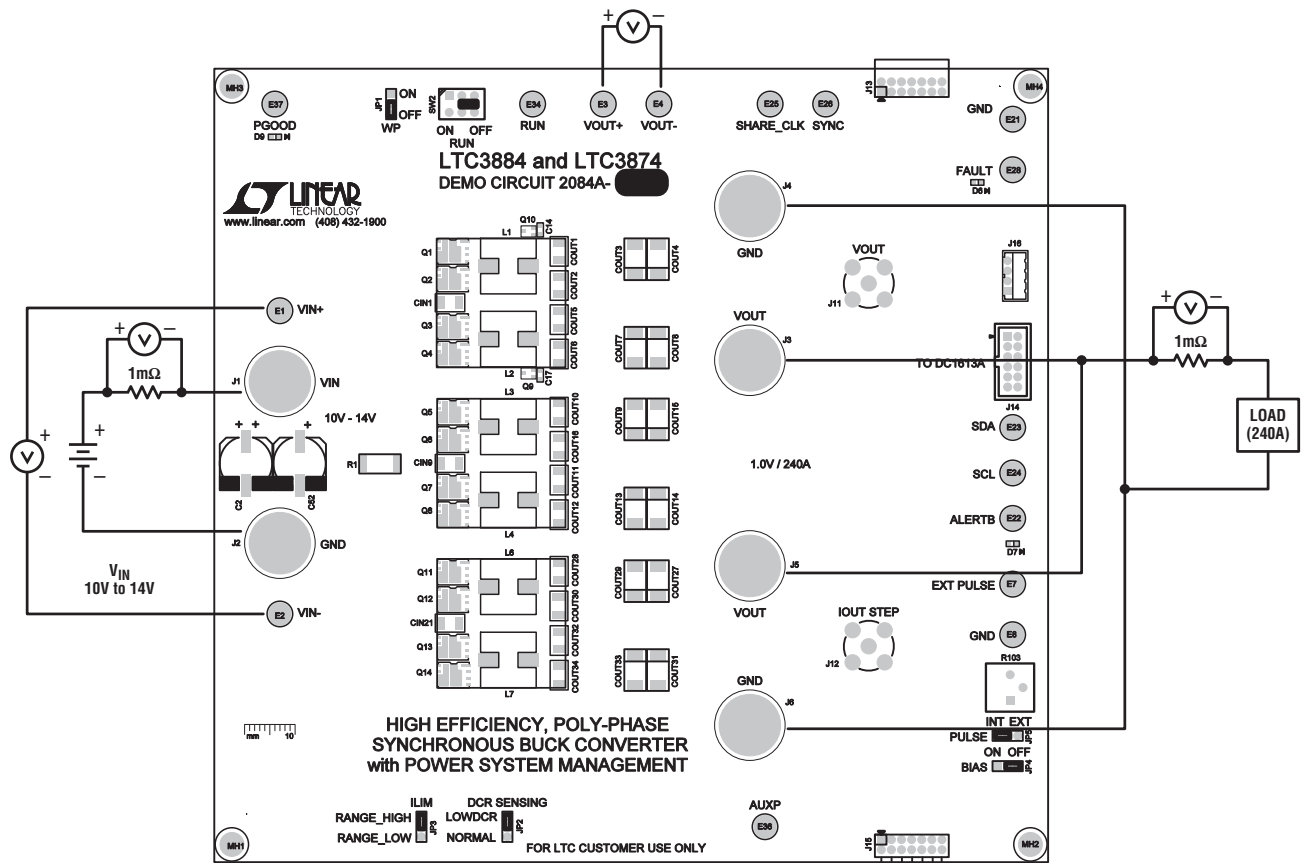


Figure 1. Proper Measurement Equipment Setup

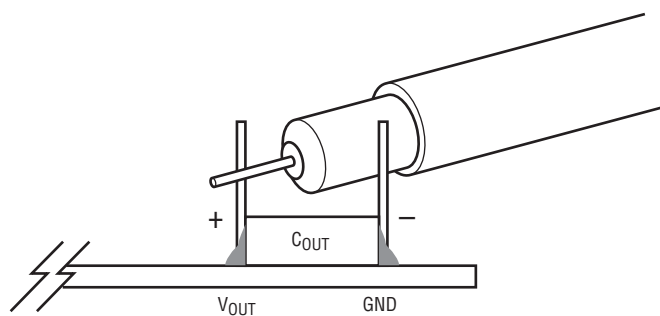


Figure 2. Measuring Output Voltage Ripple

QUICK START PROCEDURE

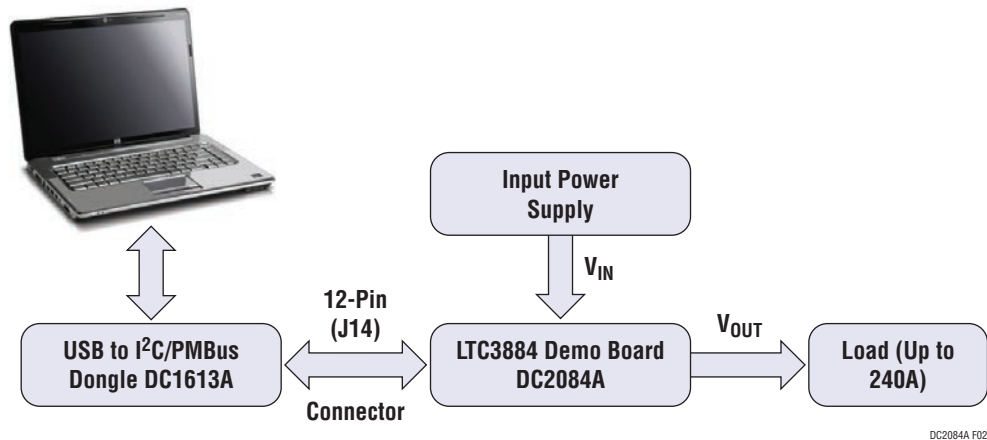


Figure 3. Demo Setup with PC

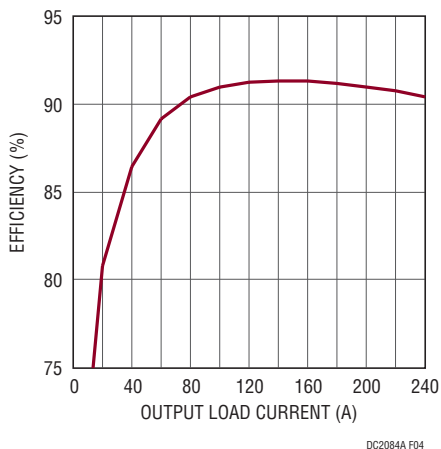


Figure 4. Efficiency vs Load Current at $V_{IN} = 12V$, $V_{OUT} = 1V$, $f_{SW} = 425kHz$

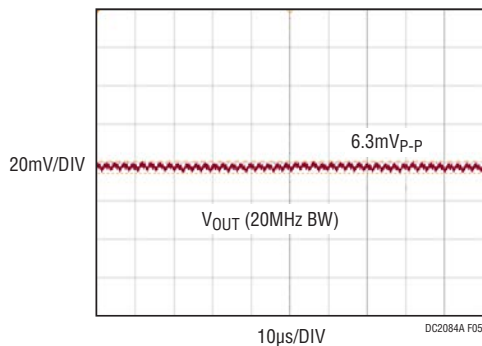


Figure 5. Output Voltage Ripple at $V_{IN} = 12V$, $V_{OUT} = 1V$, $I_{OUT} = 240A$

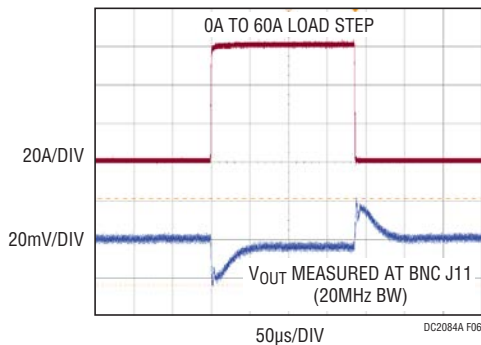


Figure 6. Transient Response at $V_{IN} = 12V$, $V_{OUT} = 1V$

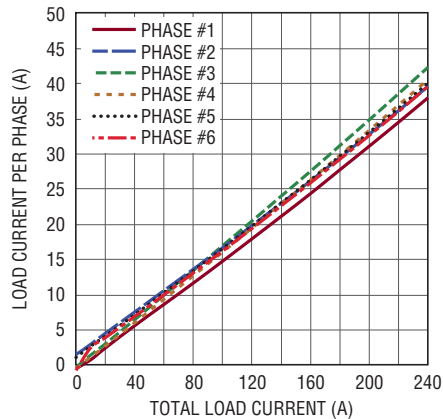


Figure 7. Current Sharing vs Load Current at $V_{IN} = 12V$, $V_{OUT} = 1V$, $f_{SW} = 425kHz$

QUICK START PROCEDURE

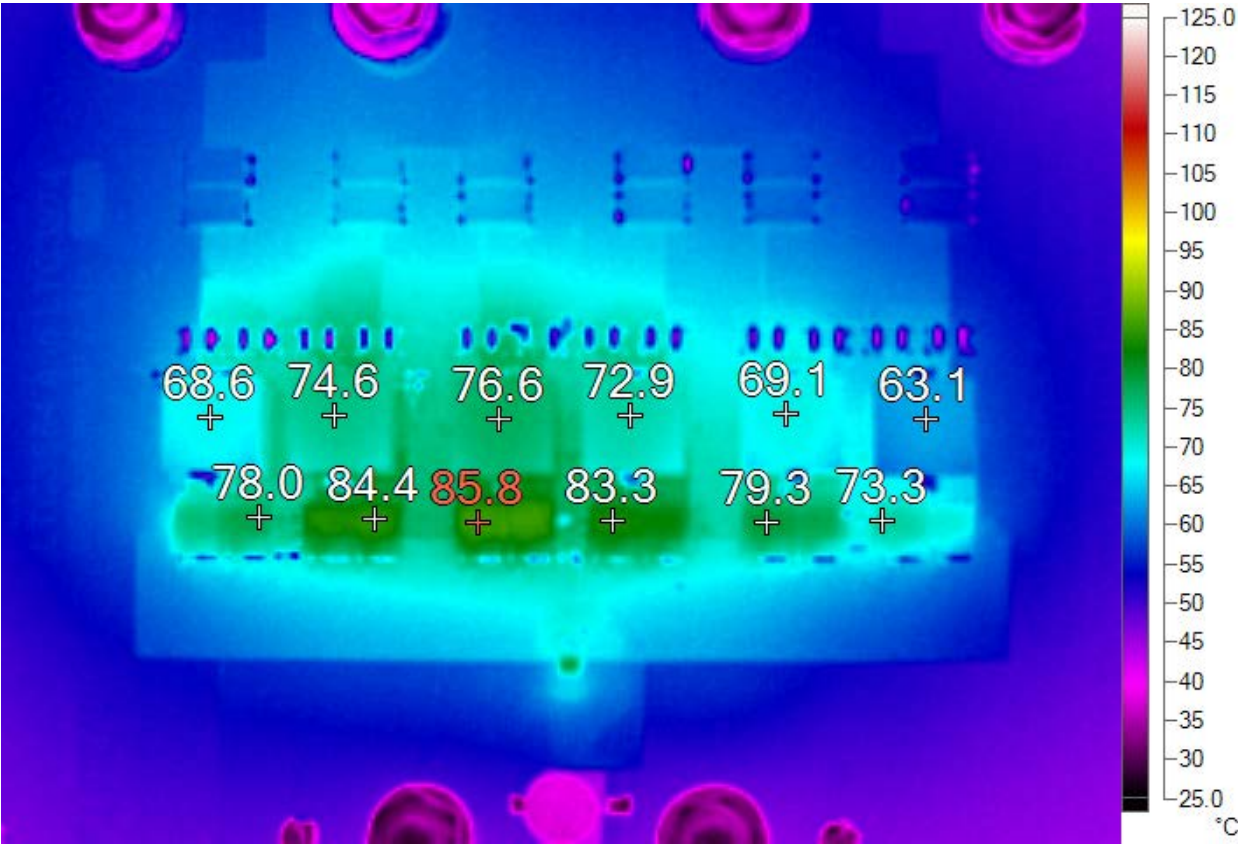


Figure 8. Thermal Performance at $V_{IN} = 12V$, $V_{OUT} = 1V$, $I_{OUT} = 240A$, $T_A = 23^{\circ}C$, 200LFM Airflow

LTpowerPlay SOFTWARE GUI

LTpowerPlay is a powerful Windows based development environment that supports Linear Technology power system management ICs, including the LTM4676, LTC3880, LTC3883, LTC3884, LTC2974 and LTC2978. The software supports a variety of different tasks. You can use LTpowerPlay to evaluate Linear Technology ICs by connecting to a demo board system. LTpowerPlay can also be used in an offline mode (with no hardware present) in order to build a multichip configuration file that can be saved and reloaded at a later time. LTpowerPlay provides unprecedented diagnostic and debug features. It becomes a valuable diagnostic tool during board bring-up to program or tweak the power management scheme in a system, or to diagnose power issues when bringing up

rails. LTpowerPlay utilizes the DC1613A USB-to-SMBus controller to communicate with one of many potential targets, including the LTM4676, the LTC3880, LTC3884 and the LTC3883's demo system, or a customer board. The software also provides an automatic update feature to keep the software current with the latest set of device drivers and documentation. The LTpowerPlay software can be downloaded from:

<http://www.linear.com/ltpowerplay>

To access technical support documents for LTC Digital Power Products visit Help. View online help on the LTpowerPlay menu.

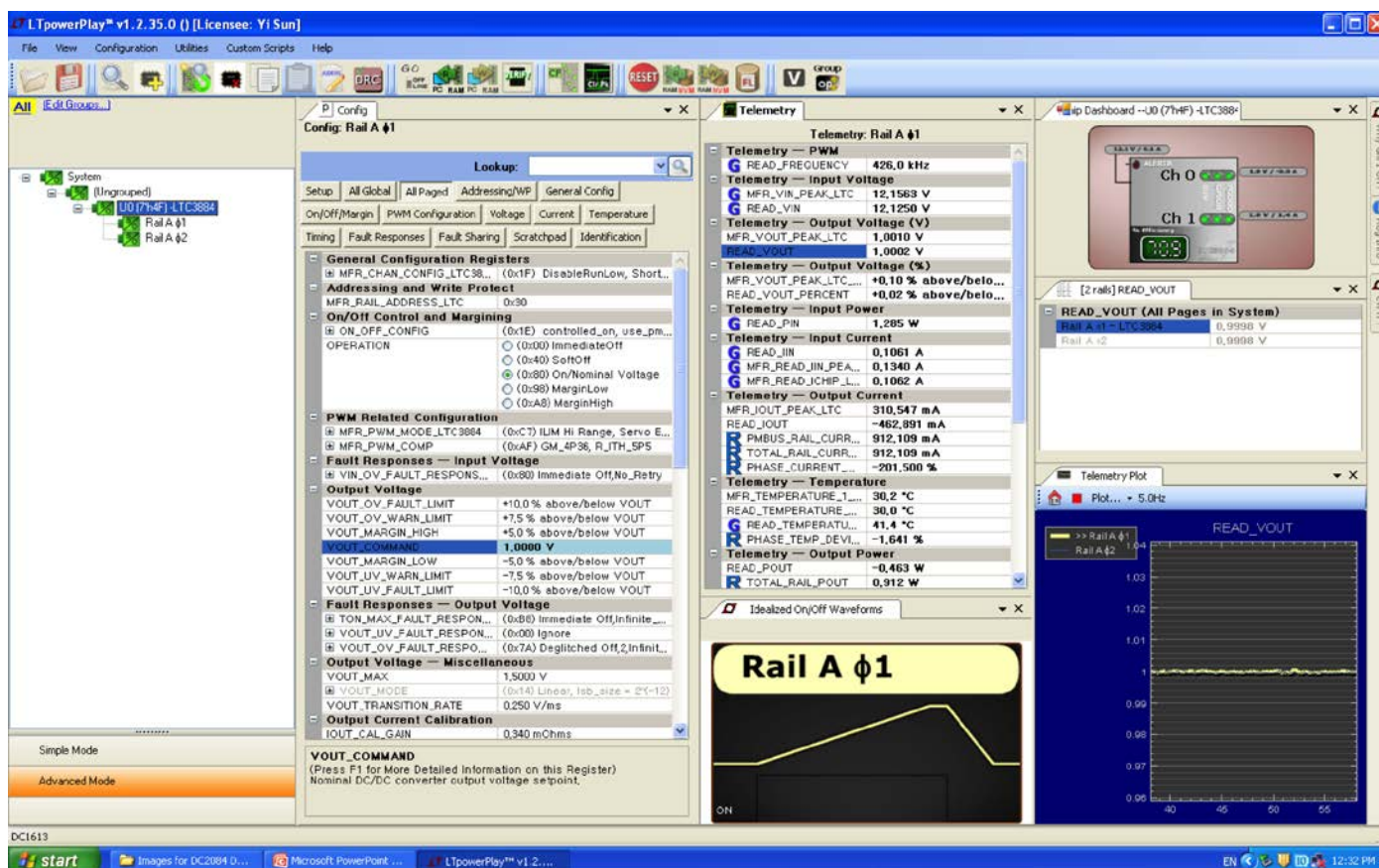
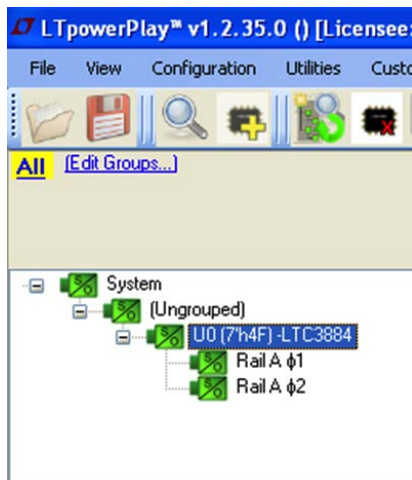


Figure 9. LTpowerPlay Main Interface

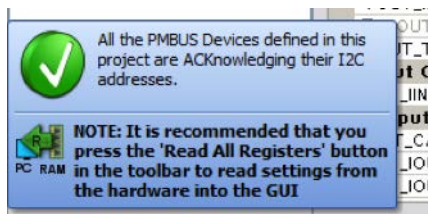
LTpowerPlay QUICK START PROCEDURE

The following procedure describes how to use LTpowerPlay to monitor and change the settings of LTC3884.

1. Download and install the LTPowerPlay GUI: <http://www.linear.com/ltpowerplay>
2. Launch the LTpowerPlay GUI.
 - a. The GUI should automatically identify the DC2084A. The system tree on the left hand side should look like this:



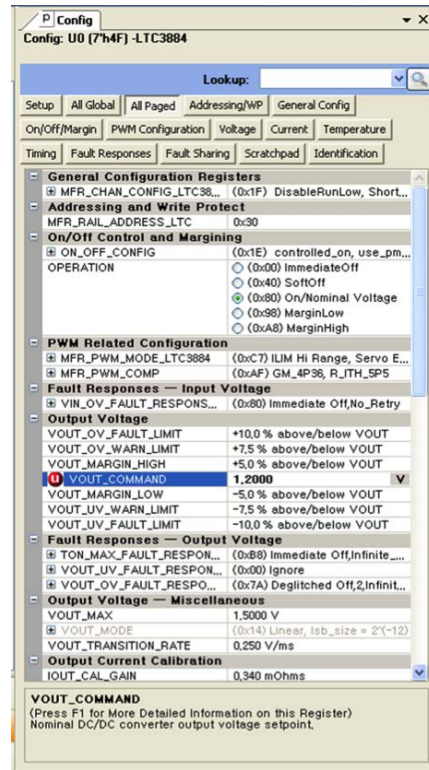
- b. A green message box shows for a few seconds in the lower left hand corner, confirming that LTC3884 is communicating:



- c. In the Toolbar, click the “R” (RAM to PC) icon to read the RAM from the LTC3884. This reads the configuration from the RAM of LTC3884 and loads it into the GUI.



- d. If you want to change the output voltage to a different value, like 1.2V. In the Config tab, type in 1.2 in the VOUT_COMMAND box, like this:



Then, click the “W” (PC to RAM) icon to write these register values to the LTC3884. After finishing this step, you will see the output voltage will change to 1.2V.



If the write is successful, you will see the following message:



- e. You can save the changes into the NVM. In the toolbar, click “RAM to NVM” button, as following



- f. Save the demo board configuration to a (*.proj) file. Click the Save icon and save the file with a user filename.

DEMO MANUAL DC2084A

PARTS LIST

ITEM	QTY	REFERENCE	PART DESCRIPTION	MANUFACTURER/PART NUMBER
Required Circuit Components				
1	24	CIN1, CIN2, CIN3, CIN4, CIN5, CIN6, CIN7, CIN8, CIN9, CIN10, CIN11, CIN12, CIN13, CIN14, CIN15, CIN16, CIN21, CIN22, CIN23, CIN24, CIN25, CIN26, CIN27, CIN28	CAP, 1210 22 μ F 10% 25V X7R	MURATA GRM32ER71E226KE15L
2	19	COUT1, COUT2, COUT5, COUT6, COUT10, COUT11, COUT12, COUT16, COUT19, COUT20, COUT24, COUT25, COUT28, COUT30, COUT32, COUT34, C34, C35, COUT41	CAP, 1210 100 μ F 20% 6.3V X5R	TDK C3225X5R0J107M
3	22	COUT3, COUT4, COUT7, COUT8, COUT9, COUT13, COUT14, COUT15, COUT17, COUT18, COUT22, COUT23, COUT27, COUT29, COUT31, COUT33, COUT35, COUT36, COUT37, COUT38, COUT39, COUT40	CAP, 7343 470 μ F 20% 2.5V TANT. POLYMER	PANASONIC ETPF470M5H
4	6	C7, C19, COUT26, C41, C42, C48	CAP, 0603 1 μ F 20% 25V X5R	AVX 06033D105KAT2A
5	1	C1	CAP, 0603 2.2 μ F 20% 6.3V X5R	TAIYO YUDEN JMK105BJ225MV-T
6	4	C2, C52, C53, C54	CAP, 270 μ F 20% 16V OSCON	PANASONIC 16SVPC270M
7	1	C3	CAP, 0805 2.2 μ F 10% 16V X7R	MURATA GRM21BR71C225KA12L
8	6	C4, C6, C18, C20, C46, C47	CAP, 0603 4.7 μ F 10% 10V X5R	AVX 0603ZD475KAT2A
9	6	C8, C15, C25, C27, C37, C38	CAP, 0603 0.1 μ F 10% 25V X5R	AVX 06033C104KAT2A
10	6	C9, C16, C21, C32, C33, C36	CAP, 0603 220nF 10% 25V X7R	TDK C1608X7R1E224K
11	1	C12	CAP, 0603 330pF 5% 50V C0G	MURATA GRM1885C1H331JD01D
12	1	C13	CAP, 0603 6.8nF 10% 50V X7R	MURATA GRM188R71H682KA01B
13	3	C14, C17, C28	CAP, 0603 10nF 10% 25V X7R	AVX 06033C103KAT2A
14	2	C23, C45	CAP, 0603 22pF 5% 50V C0G	MURATA GRM1885C1H220JA01B
15	2	C30, C44	CAP, 1210 100 μ F 20% 10V X5R	TAIYO YUDEN LMK325ABJ107MM-T
16	1	C31	CAP, 1210 10 μ F 10% 16V X7R	MURATA GRM32DR71C106KA01
17	2	C39, C50	CAP, 0603 100nF 20% 16V X7R	AVX 0603YC104MAT2A
18	1	C40	CAP, 0603 150pF 5% 50V NPO	AVX 06035A151JAT2A
19	1	C43	CAP, 0603 220pF 10% 50V X7R	AVX 06035C221KAT2A
20	1	C49	CAP, 0603 47nF 10% 25V X7R	AVX 06033C473KAT
21	6	D1, D2, D3, D4, D8, D12	DIODE, SCHOTTKY 30V, 100mA	CENTRAL SEMI CMDSH-3-TR
22	2	D6, D9	LED, 0603 GREEN	WURTH ELEKTRONIK 150060GS75000
23	1	D7	LED, 0603 RED	WURTH ELEKTRONIK 150060SS75000
24	1	D13	DIODE, ULTRA LOW SCHOTTKY RECTIFIER	NXP SEMI. PMEG2005AEL,315
25	6	L1, L2, L3, L4, L6, L7	IND, 0.25 μ H	WURTH ELEKTRONIK 744301025
26	1	L5	IND, 68 μ H	SUMIDA CDRH105RNP-680N
27	12	Q1, Q2, Q3, Q4, Q5, Q6, Q7, Q8, Q11, Q12, Q13, Q14	XSTR, DUAL CHANNEL OptiMOS MOSFET	INFINEON BSG0811ND
28	2	Q9, Q10	XSTR, PNP GENERAL PURPOSE	DIODES INC. MMST3906-7-F
29	2	Q20, Q29	XSTR, P-CHANNEL DMOS FET	DIODES INC. DMP3130L-7
30	2	Q21, Q26	XSTR, N-CHANNEL DMOS FET	FAIRCHILD 2N7002A
31	2	Q23, Q24	XSTR, MOSFET, N-CHANNEL 30V	VISHAY SUD50N03-10CP-E3

PARTS LIST

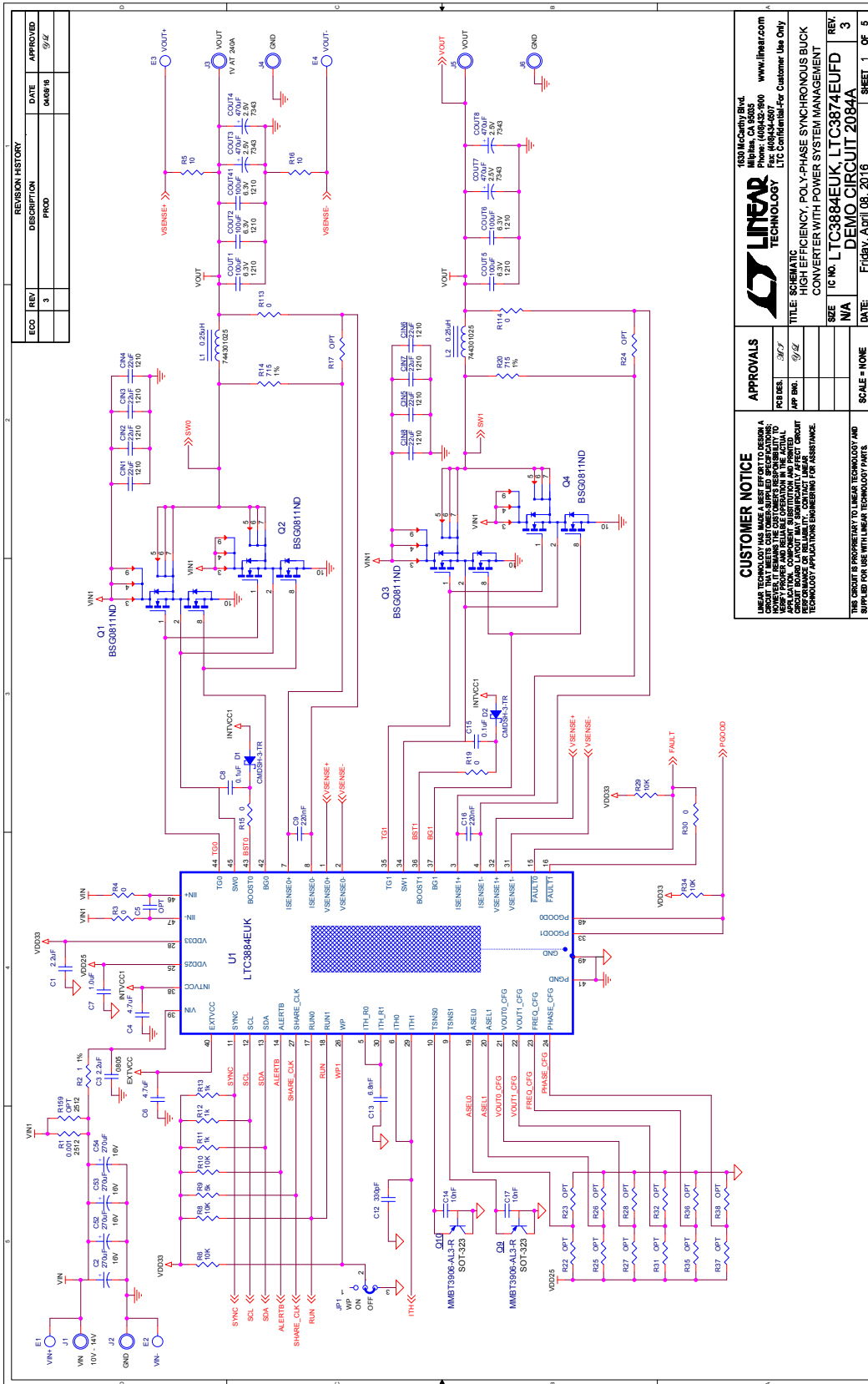
ITEM	QTY	REFERENCE	PART DESCRIPTION	MANUFACTURER/PART NUMBER
32	1	R1	RES, 2512 0.001Ω 1% 1W	VISHAY WSL25121L000FEA
33	1	R2	RES, 0603 1Ω 1% 1/10W	VISHAY CRCW06031R00FNFA
34	23	R3, R4, R15, R19, R30, R51, R52, R53, R54, R60, R83, R84, R91, R113, R114, R117, R118, R127, R137, R138, R140, R148, R149	RES, 0603 0Ω JUMPER	VISHAY CRCW06030000Z0EA
35	1	R5	RES, 0603 10Ω 1% 0.1W	VISHAY CRCW060310R0FKFA
36	7	R6, R8, R10, R56, R98, R108, R123	RES, 0603 10kΩ 5% 0.1W	VISHAY CRCW060310K0JNEA
37	1	R9	RES, 0603 5kΩ 5% 0.1W	VISHAY CRCW06035K00JNED
38	3	R11, R12, R13	RES, 0603 1kΩ 5% 0.1W	VISHAY CRCW06031K00JNEA
39	6	R14, R20, R135, R143, R144, R157	RES, 0603 715Ω 1% 0.1W	VISHAY CRCW0603715RFKFA
40	1	R16	RES, 0603 10Ω 1% 1/10W	VISHAY CRCW060310R0FKFA
41	2	R29, R34	RES, 0603 10kΩ 5% 0.1W	VISHAY CRCW060310K0JNEA
42	2	R49, R50	RES, 0603 2Ω 1% 0.1W	VISHAY CRCW06032R00FNFA
43	2	R55, R58	RES, 0603 100kΩ 5% 0.1W	VISHAY CRCW0603100KJNEA
44	5	R59, R95, R96, R107, R158	RES, 0603 20kΩ 5% 0.1W	VISHAY CRCW060320K0JNEA
45	1	R70	RES, 0603 10Ω 5% 0.1W	VISHAY CRCW060310R0JNEA
46	2	R79, R130	RES, 0603 200Ω 5% 0.1W	VISHAY CRCW0603200RJNEA
47	1	R81	RES, 0603 127Ω 1% 0.1W	VISHAY CRCW0603127RFKFA
48	1	R89	RES, 0603 2Ω 5% 0.1W	VISHAY CRCW06032R00JNED
49	1	R92	RES, 0603 3.3Ω 1% 0.1W	VISHAY CRCW06033R30FNFA
50	1	R93	RES, 0603 154kΩ 5% 0.1W	VISHAY CRCW0603154KJNEA
51	1	R94	RES, 0603 1MΩ 5% 0.1W	VISHAY CRCW06031M00JNEA
52	1	R97	RES, 0603 681kΩ 1% 0.1W	VISHAY CRCW0603681KFFA
53	1	R99	RES, 0603 301Ω 1% 0.1W	VISHAY CRCW0603301RFKFA
54	1	R100	RES, 0603 82.5Ω 5% 0.1W	VISHAY CRCW060382R5FKFA
55	2	R101, R102	RES, 2512 0.01Ω 1% 1W	VISHAY WSL2512R0100FEA
56	1	R103	RES, VARIABLE 5K	BOURNS 3386P-1-502-LF
57	1	R104	RES, 0603 1.21kΩ 1% 0.1W	VISHAY CRCW06031K21FKFA
58	1	R105	RES, 0603 118kΩ 1% 0.1W	VISHAY CRCW0603118KFKFA
59	1	R106	RES, 0603 80.6kΩ 1% 0.1W	VISHAY CRCW060380K6FKFA
60	2	R128, R150	RES, 0603 4.99kΩ 1% 0.1W	VISHAY CRCW06034K99FKFA
61	1	R147	RES, 0603 15.8kΩ 1% 0.1W	VISHAY CRCW060315K8FKFA
62	1	U1	IC, DUAL OUTPUT STEP-DOWN CONTROLLER	LINEAR TECH. LTC3884EUK#10EV-1PBF-ES
63	2	U2, U7	IC, STEP-DOWN SLAVE CONTROLLER	LINEAR TECH. LTC3874EUFD
64	1	U4	IC, SYNCHRONOUS STEP-DOWN CONVERTER	LINEAR TECH. LTC3630EMSE
65	1	U5	IC, TIMER BLOX: VOLTAGE CONTROLLED (PWM)	LINEAR TECH. LTC6992IS6-1
66	1	U6	IC, OP AMP	LINEAR TECH. LT1803IS5
67	1	U8	IC, SERIAL EEPROM	MICROCHIP 24LC024-I/ST

DEMO MANUAL DC2084A

PARTS LIST

ITEM	QTY	REFERENCE	PART DESCRIPTION	MANUFACTURER/PART NUMBER
Additional Demo Board Circuit Components				
1	0	C5, C51	CAP, 0603 OPTION	OPTION
2	0	D11	DIODE, SCHOTTKY 30V, 100mA OPTION	CENTRAL SEMI CMDSH-3-TR OPTION
3	0	R17, R22, R23, R24, R25, R26, R27, R28, R31, R32, R35, R36, R37, R38, R87, R122, R134, R136, R141, R142, R145, R146, R151, R156	RES, 0603 OPTION	OPTION
4	0	R85, R159	RES, 2512 OPTION	OPTION
5	0	R139	RES, 1206 OPTION	OPTION
Hardware: For Demo Board Only				
1	16	E1, E2, E3, E4, E7, E8, E21, E22, E23, E24, E25, E26, E28, E34, E36, E37	TURRET	MILL MAX 2501-2-00-80-00-00-07-0
2	5	JP1, JP2, JP3, JP4, JP5	HEADER, SINGLE ROW 3-PIN	SAMTEC TMM-103-02-L-S
3	6	J1, J2, J3, J4, J5, J6	STUD, TEST PIN	PEM KFH-032-10
4	14		NUT, BRASS 10-32	ANY #10-32
5	7		LUG RING, #10	KEYSTONE 8205
6	7		WASHER, #10 TIN PLATED BRASS	ANY #10 EXT BZ TN
7	2	J11, J12	CONN, BNC, 5 PINS	CONNEX 112404
8	1	J13	CONN, SOCKET 14-PIN DUAL ROW R/A	SULLINSINC. NPPN072FJFN-RC
9	1	J14	HEADER, 12-PIN 2mm STR DL	FCI 98414-G06-12ULF
10	1	J15	HEADER, 14-PIN DUAL ROW R/A	MOLEX 87760-1416
11	1	J16	HEADER, 4-PIN 2mm STR DL	HIROSE DF3A-4P-2DSA
12	4	MH1, MH2, MH3, MH4	STANDOFF, SNAP ON	KEYSTONE 8834
13	1	SW2	SWITCH, SUBMINATURE SLIDE	C&K JS202011CQN
14	5	XJP1, XJP2, XJP3, XJP4, XJP5	SHUNT	SAMTEC 2SN-BK-G

SCHEMATIC DIAGRAM



REVISION HISTORY			
ECO	REV	DESCRIPTION	DATE
	3		9/12
		PROD	

LINEAR TECHNOLOGY
 1600 McCarthy Blvd.
 Fremont, CA 94538-5000
 Phone: (408) 422-8000
 Fax: (408) 434-8001
 www.linear.com

APPROVALS
 FOR USE: 3/27
 HUP BNO: 9/12

CUSTOMER NOTICE
 LINEAR TECHNOLOGY HAS MADE A BEST EFFORT TO DESIGN A CIRCUIT THAT MEETS OUR CUSTOMER-SUPPLIED SPECIFICATIONS. WE DO NOT WARRANT, REPRESENT OR GUARANTEE THE PROPER AND RELIABLE OPERATION IN THE ACTUAL CIRCUIT BOARD LAYOUT. ANY VARIATION IN THE ACTUAL CIRCUIT BOARD LAYOUT MAY SIGNIFICANTLY AFFECT CIRCUIT PERFORMANCE. WE DO NOT ACCEPT LIABILITY FOR ASSISTANCE TECHNOLOGY APPLICATIONS ENGINEERING FOR ASSISTANCE.

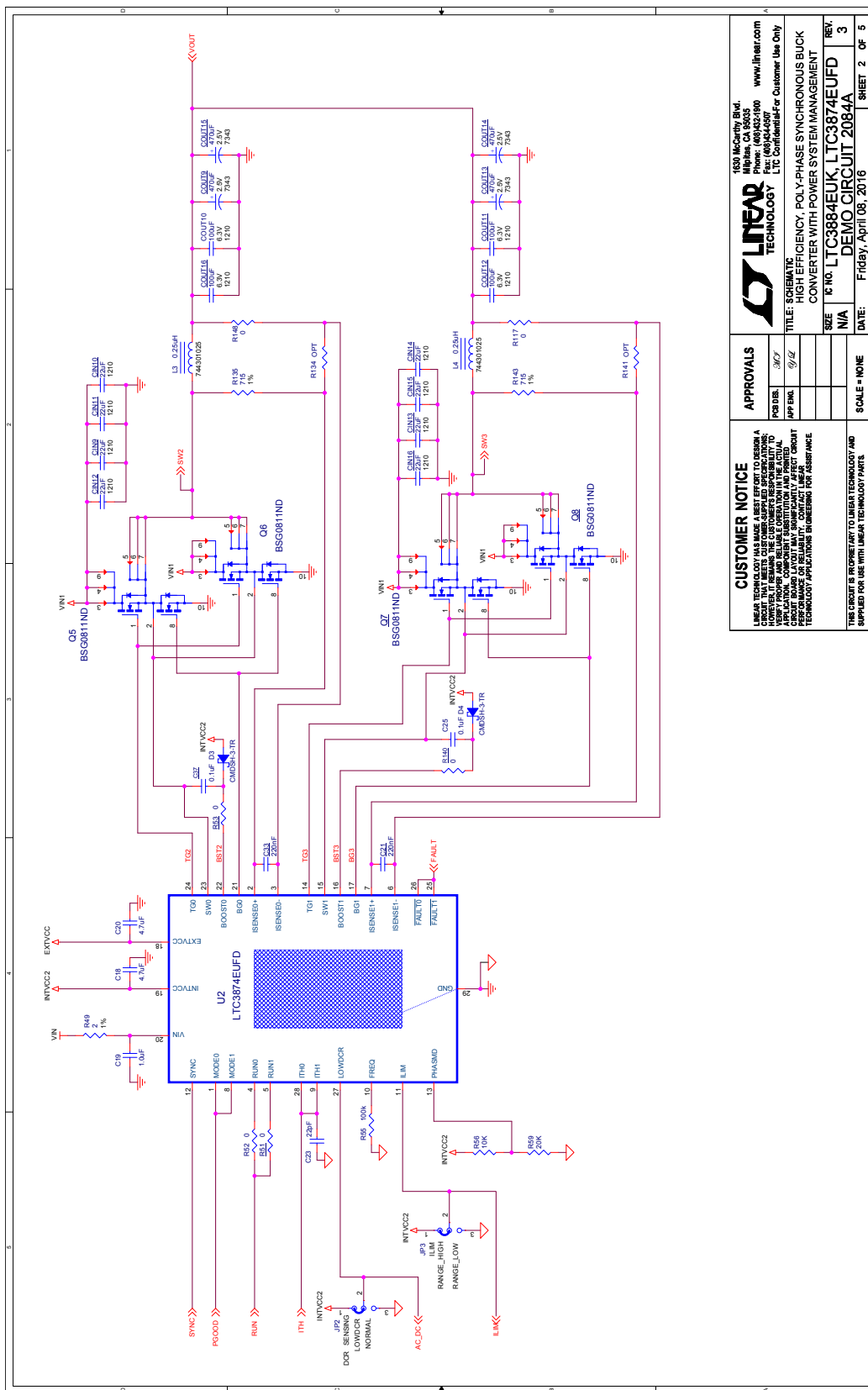
THIS CIRCUIT IS PROPRIETARY TO LINEAR TECHNOLOGY AND SUPPLIED FOR USE WITH LINEAR TECHNOLOGY PARTS.

TITLE: SCHEMATIC EFFICIENCY POLY-PHASE SYNCHRONOUS BUCK CONVERTER WITH POWER SYSTEM MANAGEMENT
SIZE: IC NO. LTC3884EUK, LTC3874EUFDF
REV: DEMO CIRCUIT 2084A
DATE: Friday, April 06, 2016

SCALE: NONE
SHEET: 1 OF 5

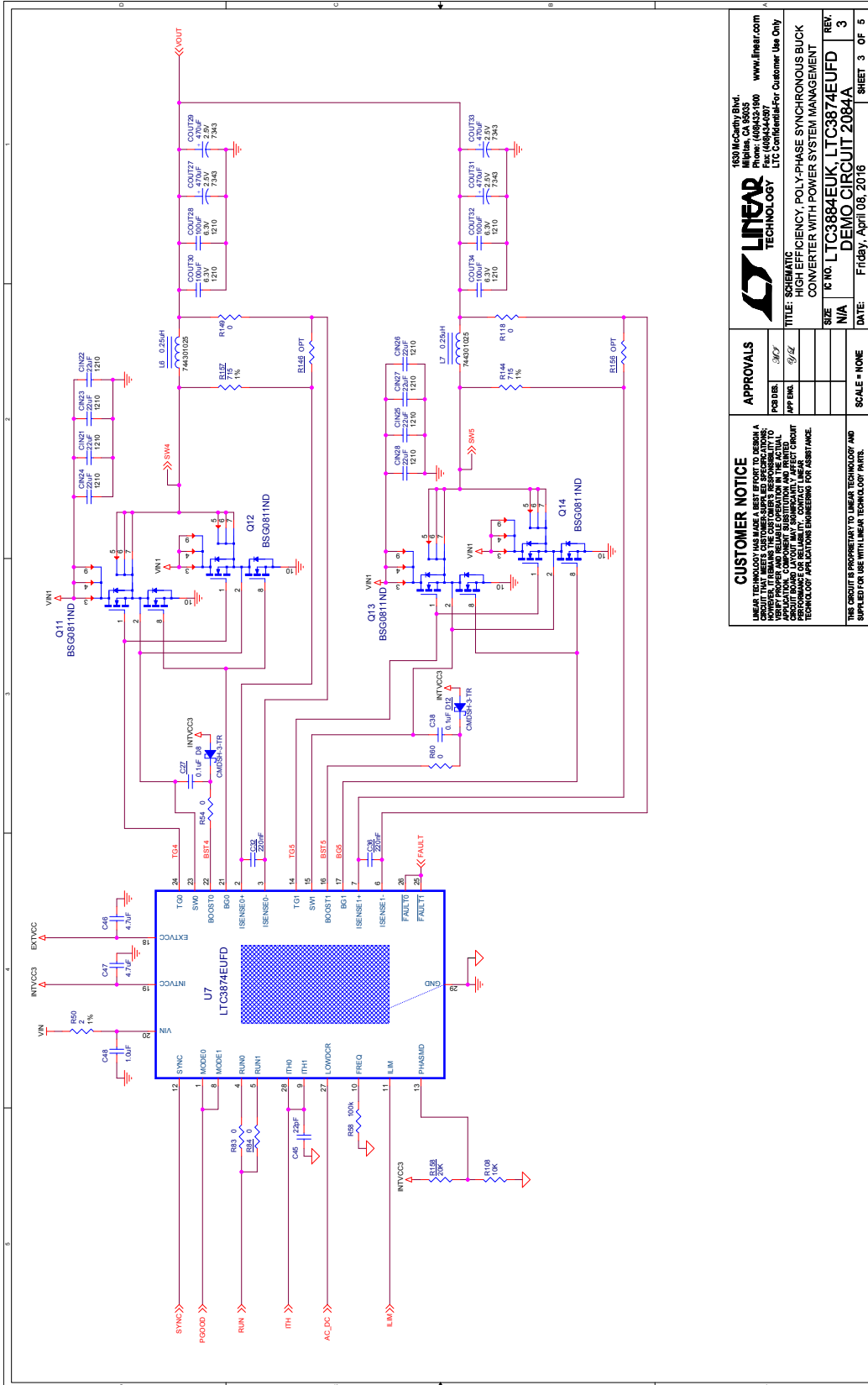
DEMO MANUAL DC2084A

SCHEMATIC DIAGRAM



CUSTOMER NOTICE		APPROVALS	
<p>LINTECH TECHNOLOGY HAS MADE A BEST EFFORT TO DESIGN A SCHEMATIC FOR THE CUSTOMER'S REFERENCE. HOWEVER, IT REMAINS THE CUSTOMER'S RESPONSIBILITY TO VERIFY THE SCHEMATIC'S ACCURACY AND TO OBTAIN NECESSARY APPROVALS FROM THE CUSTOMER'S INTERNAL DESIGN AND MANUFACTURING DEPARTMENTS. LINTECH TECHNOLOGY MAKES NO WARRANTY, EXPRESSED OR IMPLIED, REGARDING THE ACCURACY OF THIS SCHEMATIC. CUSTOMER APPLICATIONS ENGINEERING FOR ASSISTANCE.</p>		APPROVALS PCB DES: <i>[Signature]</i> APP DES: <i>[Signature]</i>	1630 McCarty Blvd. Milpitas, CA 95035 Phone: (408)432-1900 Fax: (408)441-0907 E-Mail: linetech@linear.com www.linear.com L15 Confidential - Customer Use Only
TITLE: SCHEMATIC HIGH EFFICIENCY, POLY-PHASE SYNCHRONOUS BUCK CONVERTER WITH POWER SYSTEM MANAGEMENT		SIZE: N/A SCALE: NONE	REV: 3 SHEET 2 OF 5
# No. LTC3884EUK, LTC3874EUF DEMO CIRCUIT 2084A		DATE: Friday, April 08, 2016	

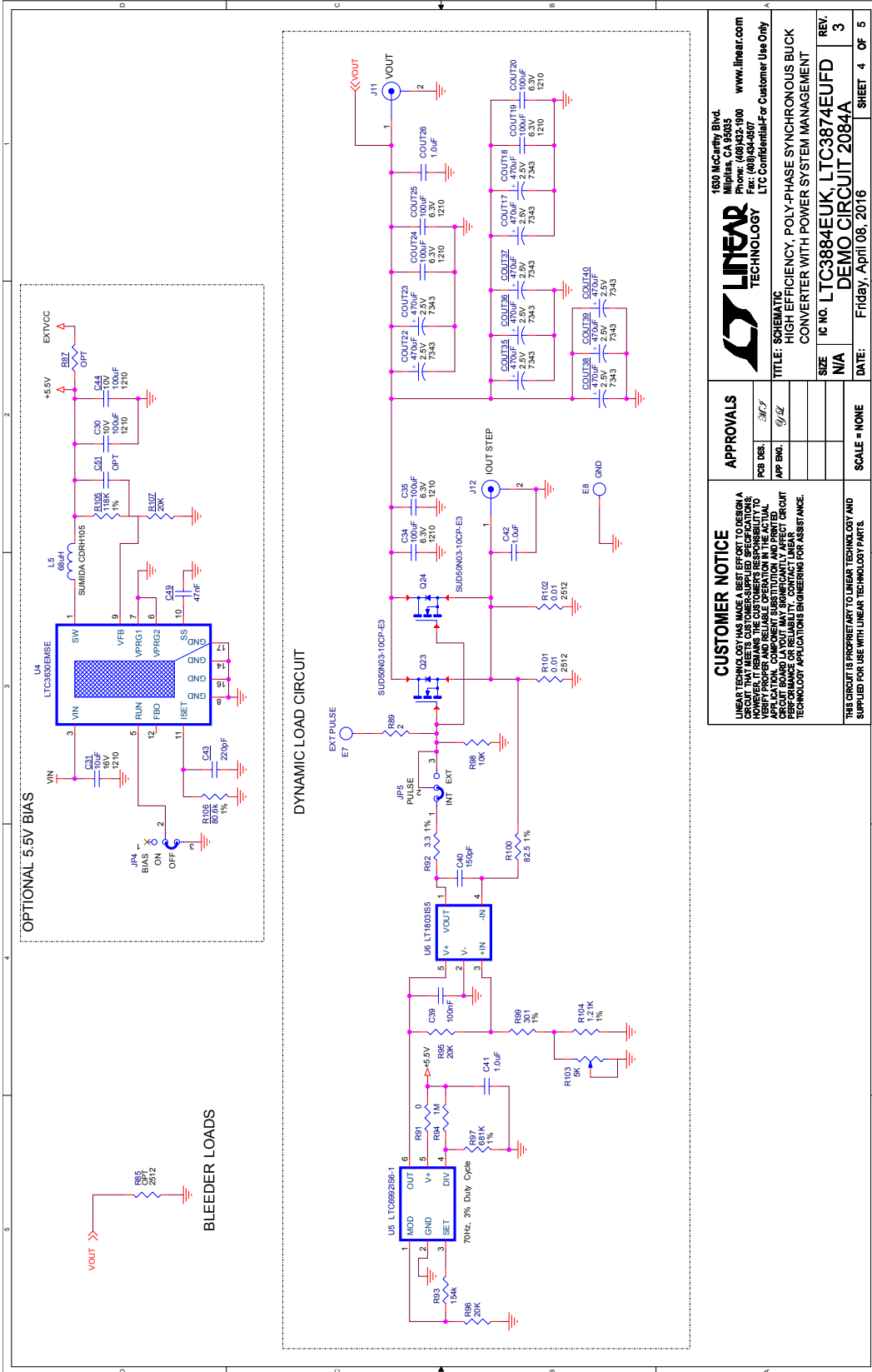
SCHEMATIC DIAGRAM



<p>CUSTOMER NOTICE</p> <p>LINEAR TECHNOLOGY HAS MADE A BEST EFFORT TO DESIGN A SCHEMATIC THAT REPRESENTS THE CUSTOMER'S RESPONSIBILITY TO PROVIDE THE CORRECT COMPONENTS AND VALUES TO THE APPLICATION. CUSTOMER SUBSTITUTION AND PARTS PERFORMANCE ARE BEYOND THE SCOPE OF LINEAR TECHNOLOGY APPLICATIONS ENGINEERING FOR ASSISTANCE.</p>		<p>APPROVALS</p> <p>PCB DES: /KCY</p> <p>APP DES: /JLZ</p>	
<p>LINEAR TECHNOLOGY HAS MADE A BEST EFFORT TO DESIGN A SCHEMATIC THAT REPRESENTS THE CUSTOMER'S RESPONSIBILITY TO PROVIDE THE CORRECT COMPONENTS AND VALUES TO THE APPLICATION. CUSTOMER SUBSTITUTION AND PARTS PERFORMANCE ARE BEYOND THE SCOPE OF LINEAR TECHNOLOGY APPLICATIONS ENGINEERING FOR ASSISTANCE.</p>		<p>1630 McCarty Blvd. Folsom, CA 95633 Phone: (916)433-1900 Fax: (916)433-1901 LTC Customer Center for Customer Use Only www.linear.com</p>	
<p>TITLE: SCHEMATIC HIGH EFFICIENCY, POLY-PHASE SYNCHRONOUS BUCK CONVERTER WITH POWER SYSTEM MANAGEMENT</p>		<p>REV. 3</p>	
<p>SIZE: N/A</p>		<p>REV. 3</p>	
<p>SCALE: NONE</p>		<p>DATE: Friday, April 08, 2016</p>	
<p>THE CIRCUIT IS PROPRIETARY TO LINEAR TECHNOLOGY AND SHOULD NOT BE REPRODUCED OR COPIED WITHOUT PERMISSION FROM LINEAR TECHNOLOGY.</p>		<p>DEMO CIRCUIT 2084A</p>	
		<p>SHEET 3 OF 5</p>	

DEMO MANUAL DC2084A

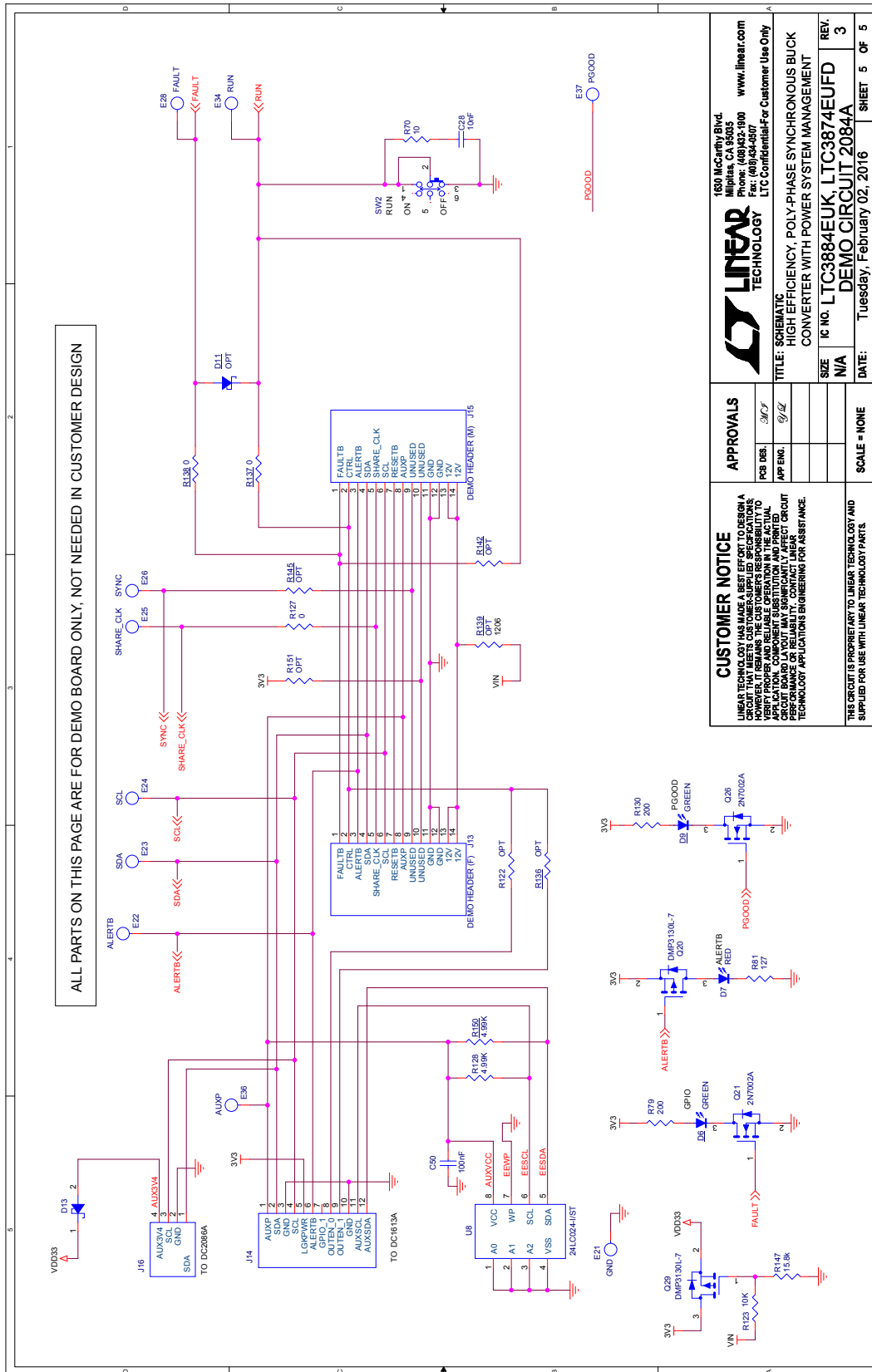
SCHEMATIC DIAGRAM



LINEAR TECHNOLOGY 180 McCarty Blvd. Milpitas, CA 95035 Phone: (408)432-9900 Fax: (408)432-5509 LTC Confidential - For Customer Use Only www.linear.com		TITLE: SCHEMATIC IC NO.: LTC3884EUK LTC3874EUF DEMO CIRCUIT 2084A	
APPROVALS		SIZE: N/A	
DES.: JMT	APP. ENG.: JMT	SCALE: NONE	
CUSTOMER NOTICE LINEAR TECHNOLOGY HAS MADE A BEST EFFORT TO DESIGN A SCHEMATIC WHICH REPRESENTS THE INTENDED OPERATION OF THE CIRCUIT BOARD. HOWEVER, IT REMAINS THE CUSTOMER'S RESPONSIBILITY TO VERIFY THE SCHEMATIC AND RELATE THE OPERATION IN THE ACTUAL APPLICATION. THE SCHEMATIC DOES NOT REPRESENT THE ACTUAL BOARD LAYOUT. THE SCHEMATIC MAY SIGNIFICANTLY AFFECT CIRCUIT PERFORMANCE OR RELIABILITY. ENGINEERING FOR ASSISTANCE.		DATE: Friday, April 08, 2016	
THIS CIRCUIT IS PROPRIETARY TO LINEAR TECHNOLOGY AND SUPPLIED FOR USE WITH LINEAR TECHNOLOGY PARTS.		REV.: 3	
		SHEET 4 OF 5	



SCHEMATIC DIAGRAM



DEMO MANUAL DC2084A

DEMONSTRATION BOARD IMPORTANT NOTICE

Linear Technology Corporation (LTC) provides the enclosed product(s) under the following **AS IS** conditions:

This demonstration board (DEMO BOARD) kit being sold or provided by Linear Technology is intended for use for **ENGINEERING DEVELOPMENT OR EVALUATION PURPOSES ONLY** and is not provided by LTC for commercial use. As such, the DEMO BOARD herein may not be complete in terms of required design-, marketing-, and/or manufacturing-related protective considerations, including but not limited to product safety measures typically found in finished commercial goods. As a prototype, this product does not fall within the scope of the European Union directive on electromagnetic compatibility and therefore may or may not meet the technical requirements of the directive, or other regulations.

If this evaluation kit does not meet the specifications recited in the DEMO BOARD manual the kit may be returned within 30 days from the date of delivery for a full refund. **THE FOREGOING WARRANTY IS THE EXCLUSIVE WARRANTY MADE BY THE SELLER TO BUYER AND IS IN LIEU OF ALL OTHER WARRANTIES, EXPRESSED, IMPLIED, OR STATUTORY, INCLUDING ANY WARRANTY OF MERCHANTABILITY OR FITNESS FOR ANY PARTICULAR PURPOSE. EXCEPT TO THE EXTENT OF THIS INDEMNITY, NEITHER PARTY SHALL BE LIABLE TO THE OTHER FOR ANY INDIRECT, SPECIAL, INCIDENTAL, OR CONSEQUENTIAL DAMAGES.**

The user assumes all responsibility and liability for proper and safe handling of the goods. Further, the user releases LTC from all claims arising from the handling or use of the goods. Due to the open construction of the product, it is the user's responsibility to take any and all appropriate precautions with regard to electrostatic discharge. Also be aware that the products herein may not be regulatory compliant or agency certified (FCC, UL, CE, etc.).

No License is granted under any patent right or other intellectual property whatsoever. **LTC assumes no liability for applications assistance, customer product design, software performance, or infringement of patents or any other intellectual property rights of any kind.**

LTC currently services a variety of customers for products around the world, and therefore this transaction **is not exclusive**.

Please read the DEMO BOARD manual prior to handling the product. Persons handling this product must have electronics training and observe good laboratory practice standards. **Common sense is encouraged.**

This notice contains important safety information about temperatures and voltages. For further safety concerns, please contact a LTC application engineer.

Mailing Address:

Linear Technology
1630 McCarthy Blvd.
Milpitas, CA 95035

Copyright © 2004, Linear Technology Corporation